

REPAIR TOOLS



KIMRAY
INC.®

REGULATORS



PNEUMATIC

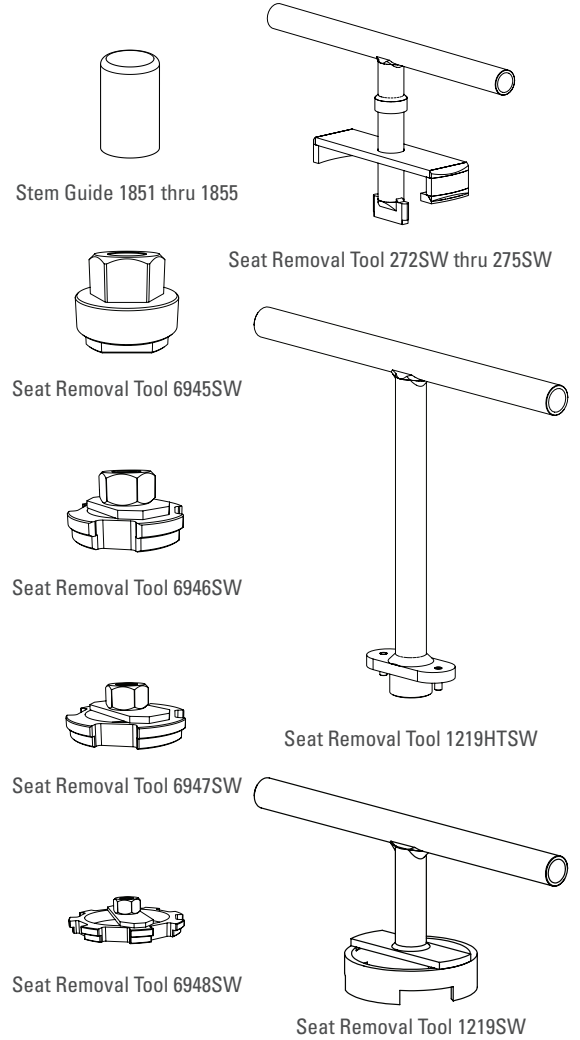
		1/2" Trim	1" Trim
1" Valve Connection	Seat Removal Tool	Not Needed	
	Stem Guide	1851	

		1" Trim	2" Trim
2" Valve Connection	Seat Removal Tool	Not Needed	6945SW or 272SW
	Stem Guide	1852	

		1-5/8" Trim	3" Trim
3" Valve Connection	Seat Removal Tool	Ductile - 1219SW Steel - 1219HTSW	6946SW or 273SW
	Stem Guide	1853	

		2" Trim	4" Trim
4" Valve Connection	Seat Removal Tool	Ductile - 1220SW Steel - 1220HTSW	6947SW or 274SW
	Stem Guide	1854	

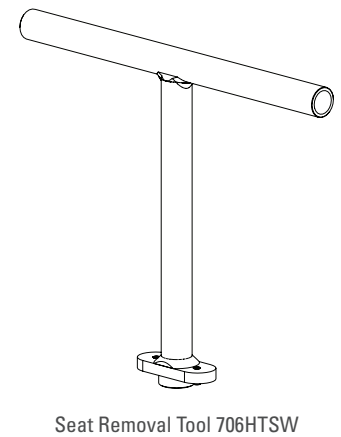
		3" Trim	6" Trim
6" Valve Connection	Seat Removal Tool	Ductile - 1221SW Steel - 1221HTSW	6948SW or 275SW
	Stem Guide	1855	



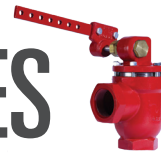
SPRING-LOADED BACK PRESSURE

		1" Trim, Ductile Body	1" Trim, Steel Body	2" Trim
2" Valve Connection	Seat Removal Tool	706HTSW	4060SW	6945SW
	Stem Guide	1852		

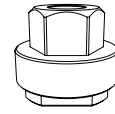
		1-5/8" Trim, Ductile Body	1-5/8" Trim, Steel Body	3" Trim
3" Valve Connection	Seat Removal Tool	1219HTSW	N/A	6946SW
	Stem Guide	1853		



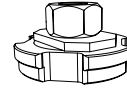
MECHANICAL DUMP VALVES



	Diaphragm Balanced	Piston Balanced	Piston Balanced Throttling
Valve Connection Size	No Special Tool Required	No Special Tool Required	Seat Removal Tool
2"	N/A	N/A	6945SW
2" with 1" Reduced Trim	N/A	N/A	6945SW for CAZ5 706SW for CXA5
3"	N/A	N/A	6946SW
4"	N/A	N/A	
6"	N/A		



Seat Removal Tool 6945SW



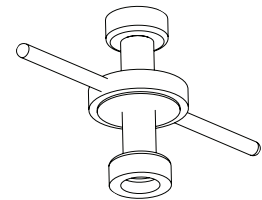
Seat Removal Tool 6946SW

HIGH PRESSURE CONTROL VALVES

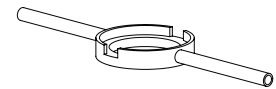


STEM-GUIDED, NON-BALANCED

Valve Connection Size	Seat and Cage Removal Tool	Seat Removal Tool	Diaphragm Nut Wrench
1"	3032	615	476DNW
2"	3033	614	4356DNW



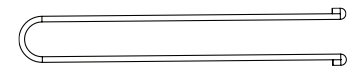
Seat and Cage Removal Tool



Diaphragm Nut Wrench

CAGE-GUIDED, BALANCED

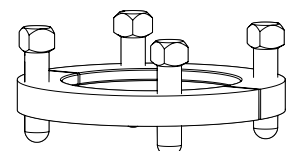
Valve Connection Size	Seat Installation Tool	Upper Cage Puller	Diaphragm Nut Wrench
2"	6670	5296	4356DNW
3"	6826	5297	4965DNW
4"	5561	5298	4965DNW
6"	5561	6402	5344DNW
8"	5561	6651	5344DNW
10"	5561	6651	5344DNW



Seat Removal Tool



Seat Installation Tool 2" & 3"



Upper Cage Puller Tool

These tools are not needed for Severe Service High Pressure Control Valves.

LOW PRESSURE CONTROL VALVES



LOW PRESSURE, NON-BALANCED

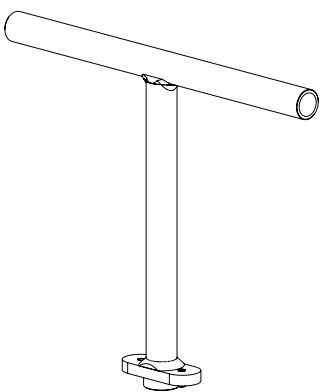
		1/2" Trim	1" Trim
1" Valve Connection	Seat Removal Tool	1349SW	Not Needed
	Stem Guide	6431	1851

		1" Trim, Ductile Body	1" Trim, Steel Body	2" Trim
2" Valve Connection	Seat Removal Tool	706HTSW	706SW	6945SW
	Stem Guide	1852		1852

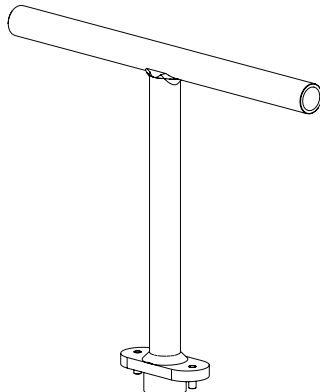
		1-5/8" Trim, Ductile Body	1-5/8" Trim, Steel Body	3" Trim
3" Valve Connection	Seat Removal Tool	1219HTSW	1219SW	6946SW
	Stem Guide	1853		1853

		2" Trim, Ductile Body	2" Trim, Steel Body	4" Trim
4" Valve Connection	Seat Removal Tool	1220HTSW	1220SW	6947SW
	Stem Guide	1854		1854

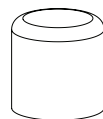
		3" Trim, Ductile Body	3" Trim, Steel Body	6" Trim
6" Valve Connection	Seat Removal Tool	1221HTSW	1221SW	6948SW
	Stem Guide	1855		1855



Seat Removal Tool 706HTSW



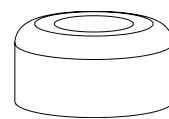
Seat Removal Tool 1219HTSW



Stem Guide 1852



Stem Guide 1853



Stem Guide 1854



Stem Guide 1855

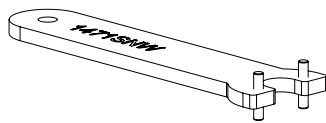
LOW PRESSURE, BALANCED



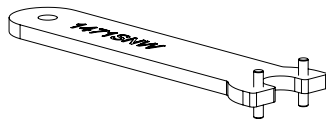
		2" Valve Connection	3" Valve Connection	4" Valve Connection	6" Valve Connection
Diaphragm Balanced	Diaphragm Nut Removal Tool	1471SNW	1472SNW	Not Needed	706HTSW
	Spring Compression Tool	5534	5535	5535	6447
	Stem Guide Wrench	2463	2464	2464	N/A
	Stem Guide (O-Ring Protector)	1852	1853	1854	1855

Piston Balanced	Piston Removal Tool	1471SNW	1859SNW	1859SNW	
	Spring Compression Tool	5534	5535	5535	
	Stem Guide Wrench	2463	2464	2464	
	Stem Guide (O-Ring Protector)	1852	1853	1854	

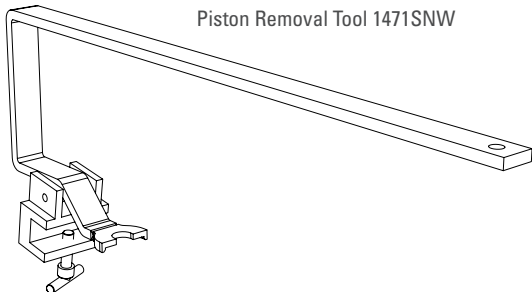
Piston Balanced Throttling	Seat Removal Tool	6945SW	6946SW	6947SW	
	Spring Compression Tool	5534	5535	5535	
	Stem Guide Wrench	N/A	N/A	N/A	
	Stem Guide (O-Ring Protector)	1852	1853	1854	



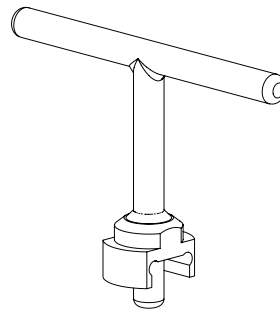
Diaphragm Removal Tool 1471SNW



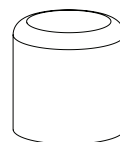
Piston Removal Tool 1471SNW



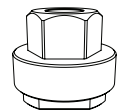
Spring Compression Tool 5534



Stem Guide Wrench 2463



Stem Guide 1852



Seat Removal Tool 6945SW



Seat Removal Tool 6946SW



Seat Removal Tool 6947SW

THREE-WAY VALVES

LOW PRESSURE NON-BALANCED

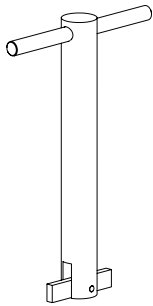


		1" Valve Connection	2" Valve Connection	3" Valve Connection
Diaphragm Balanced 3-way	Diaphragm Nut Removal Tool	N/A	1471SNW	N/A
	Spring Compression Tool	N/A	5534	N/A

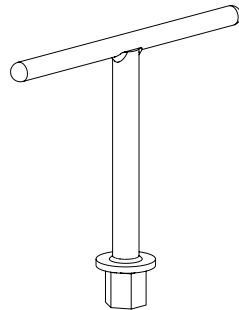
Piston Balanced 3-way	Diaphragm Nut Removal Tool	N/A	1471SNW	1859SNW
	Spring Compression Tool	N/A	5534	5535
	Upper Seat Wrench	N/A	2276SW	N/A

High Pressure 3-way	Lower Seat Wrench	2130SW	N/A	N/A
----------------------------	-------------------	--------	-----	-----

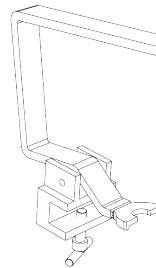
Splitter Valve	No Special Tools Needed			
-----------------------	-------------------------	--	--	--



Upper Seat Wrench 2276SW



Lower Seat Wrench 2130SW



Spring Compression Tool 5534



Diaphragm Nut Removal Tool 1471SNW

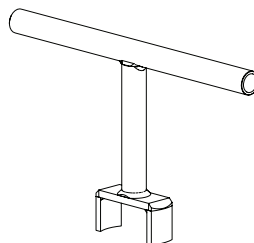
TREATER VALVES



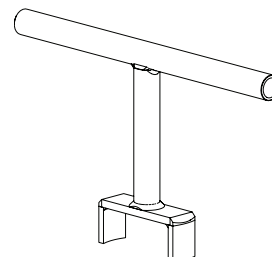
	2" Valve Connection	3" Valve Connection	4" Valve Connection	6" Valve Connection
Seat Wrench	384SW	385SW	386SW	1771SW



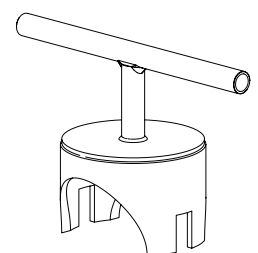
Seat Wrench 384SW



Seat Wrench 385SW



Seat Wrench 386SW



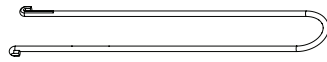
Seat Wrench 1771SW

GLYCOL PUMPS



ENERGY EXCHANGE

	Suction Seat Removal Tool	Seal Retainer Tool	Suction Seat Insertion Tool
1720 PV	615	4456	1542
2020 SC	615	4456	1542
4020 PV	615	4456	1542
5020 SC	614	4457	1543
9020 PV	614	4457	1543
10020 SC	614	4458	1544
21020 PV	614	4458	1544
20020 SC	614	4459	1545
45020 PV	614	4459	1545



Suction Seat Removal Tool 615



Seal Retainer Tool 4456



Suction Seat Insertion Tool 1542



WHO WE ARE

Kimray designs and manufactures oil and gas control products. Based on more than 65 years of pioneering product development, we provide products and services that are reliable, smart and inventive. We generate meaningful solutions by staying curious and engaging in customers' needs. Our product ideas are fueled by a deep desire to make a difference that is both personal and unique to the customer.

We have made it our life's work to provide products and services that are positively impactful. Through the years, this pursuit has built strong relationships. Our customers have known that buying from Kimray is about much more than the product. The relationships between Kimray representatives and our customers extend from before the sale through the life of the product. Those relationships, along with quality Kimray products, are the result of a company striving for excellence for our customers, our company and our community.

Visit Kimray.com to learn more about our company and the products we create.

All Rights Reserved. All content of this publication including illustrations are believed to be reliable. And while efforts have been made to ensure their accuracy, they are not to be construed as warranties for guarantees, express or implied, regarding Kimray products or services described herein or their use or application. All sales are governed by our terms and conditions, which are available on request.

Kimray reserves the right to modify or improve the designs or specifications of such products at any time without prior notice.