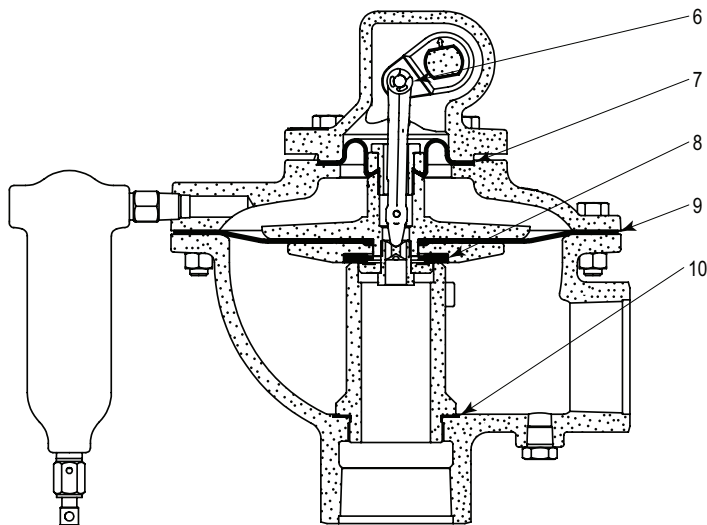
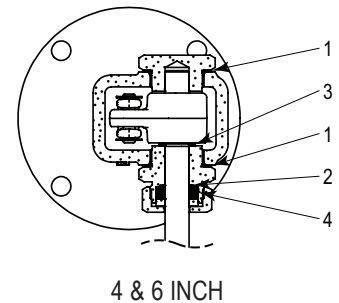
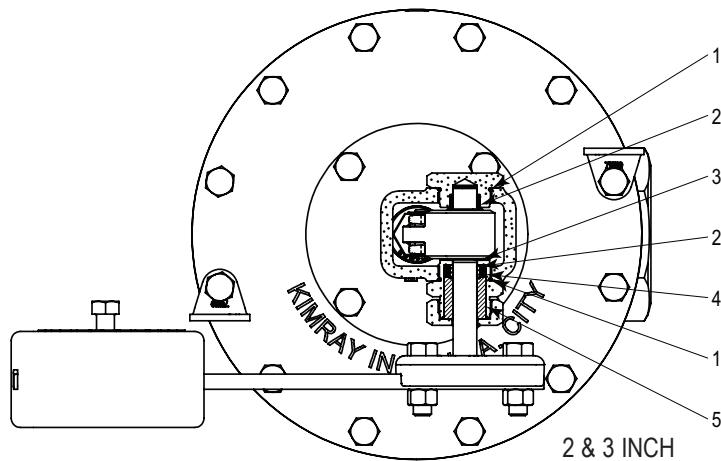


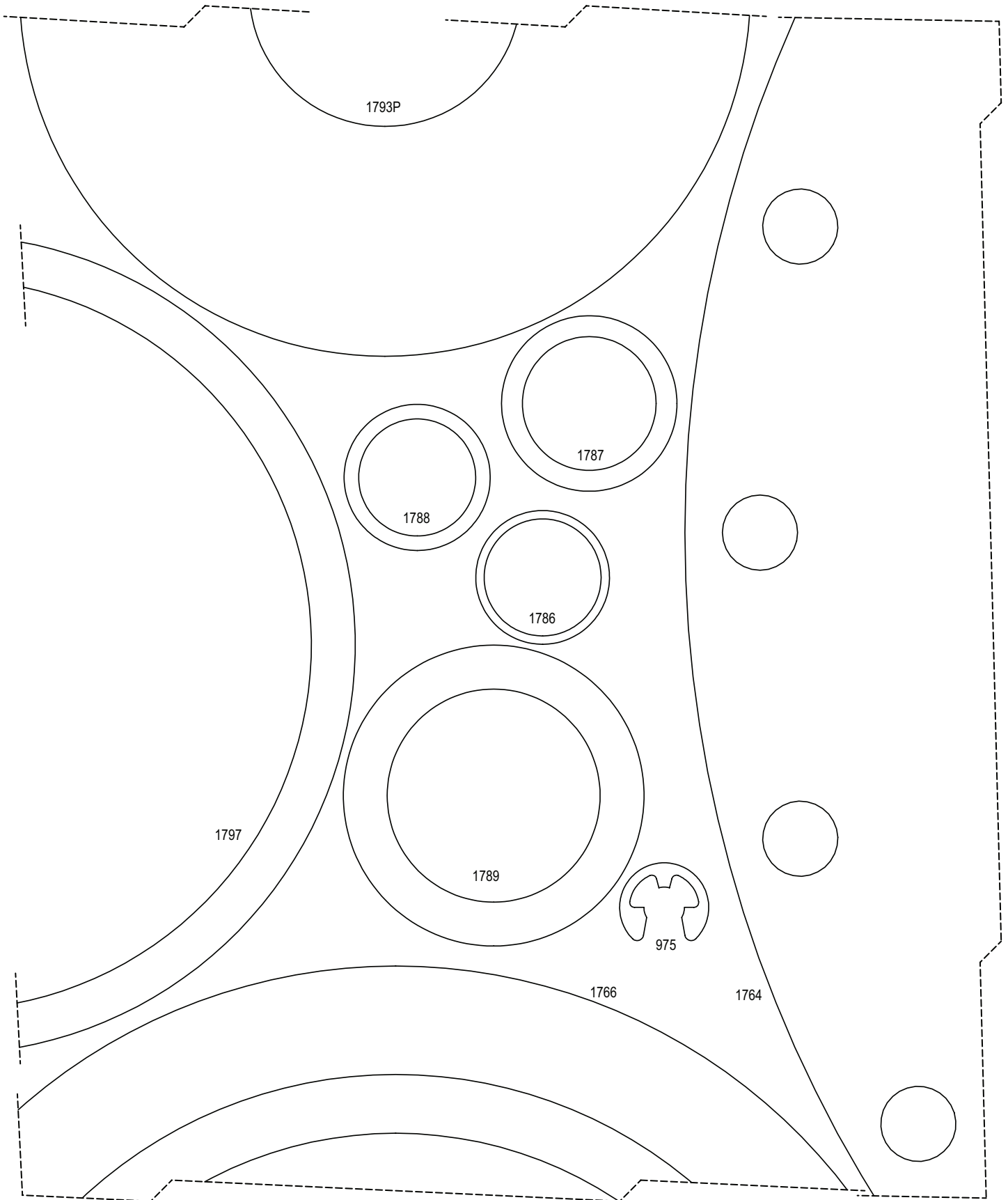
| ITEM | QTY. | DESCRIPTION | 2 INCH | 3 INCH | 4 INCH | 6 INCH |
|------|-------|---------------|----------|---------|---------|----------|
| 1 | 2 | O-Ring | 2131 | 5226 | ----- | ----- |
| | | Gasket | ----- | ----- | 366 | 1789 |
| 2 | (Qty) | Packing | 7662 (2) | 355 (2) | 356 (1) | 1786 (1) |
| 3 | 1 | Thrust Washer | 360 | 361 | 362 | 1788 |
| 4 | 1 | Packing Ring | 351 | 352 | 353 x 1 | 1787 x 2 |
| 5 | 1 | Bushing | 7915 | 7916 | ----- | ----- |
| 6 | 2 | Snap Ring | 941 | | 975 | |
| 7 | 1 | Diaphragm | 416 | 417 | 418 | 1766 |
| 8 | 1 | Seat | 7502HSN | 7503HSN | 392 | 1793P |
| 9 | 1 | Diaphragm | 421 | 422 | 423 | 1764 |
| 10 | 1 | Gasket | 387 | 388 | 389 | 1797 |



WEIGHT OPERATED DUMP VALVES



REPAIR KIT
6 INCH TREATER / DUMP VALVE



All Pictures shown are for illustration purpose only. Actual product may vary due to product enhancement.