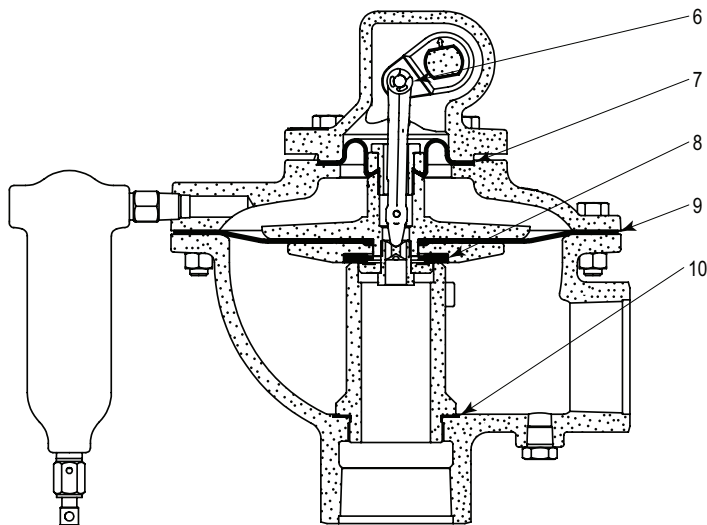
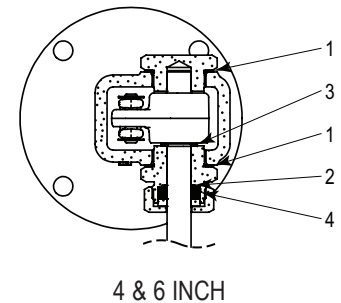
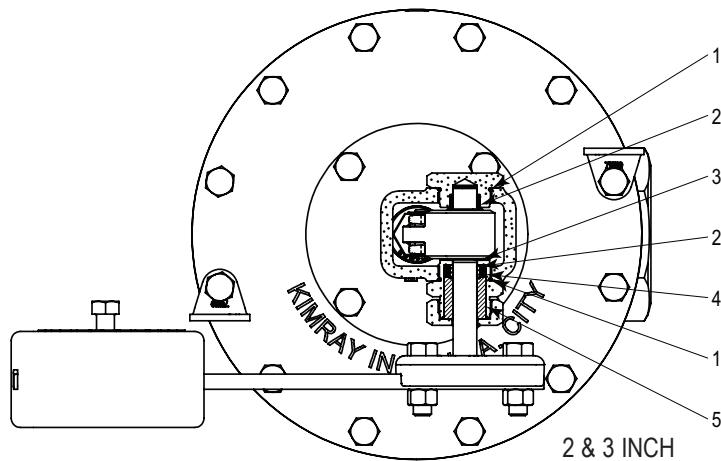


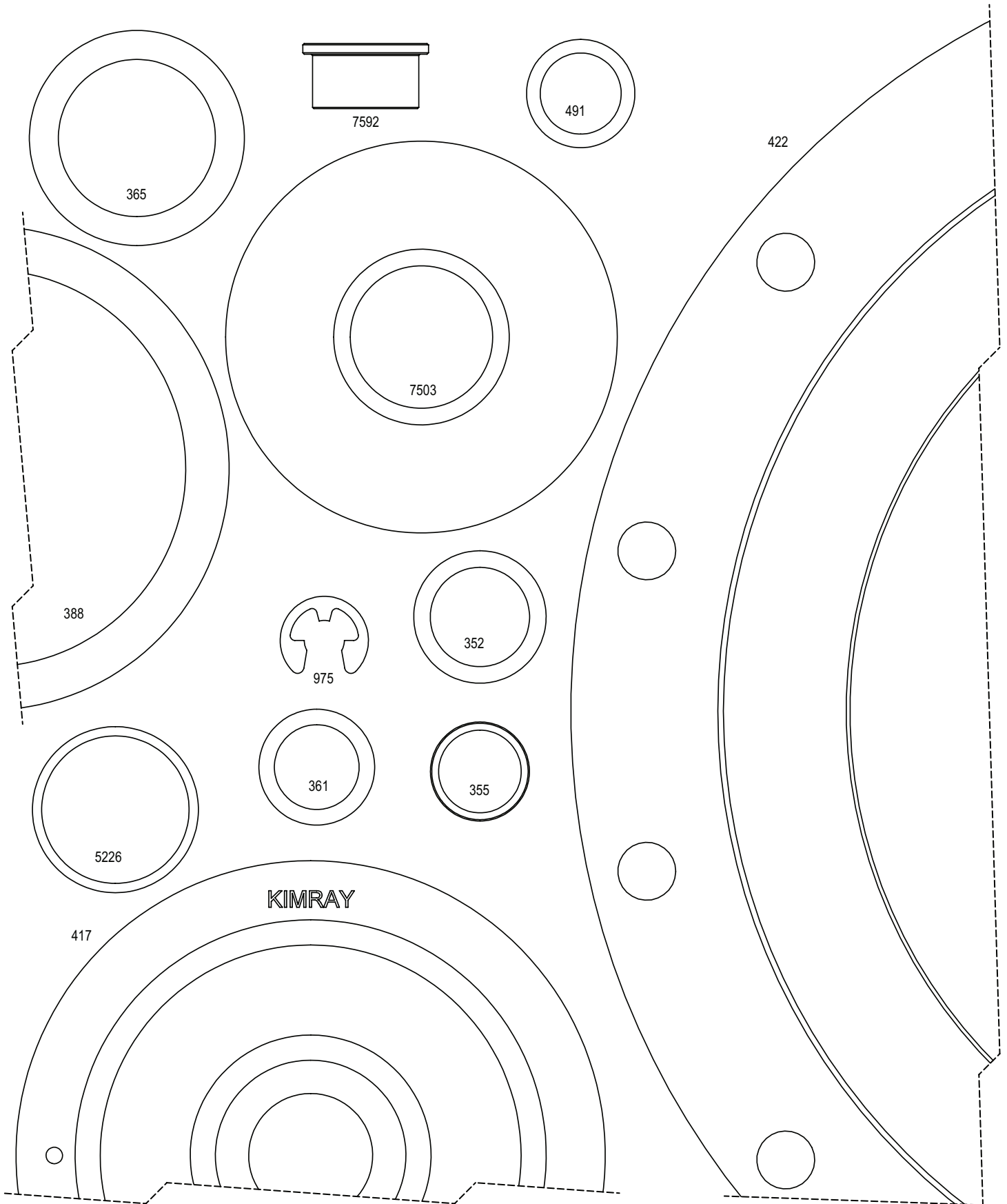
ITEM	QTY.	DESCRIPTION	2 INCH	3 INCH	4 INCH	6 INCH
1	2	O-Ring	2131	5226	-----	-----
		Gasket	-----	-----	366	1789
2	(Qty)	Packing	7662 (2)	355 (2)	356 (1)	1786 (1)
3	1	Thrust Washer	360	361	362	1788
4	1	Packing Ring	351	352	353 x 1	1787 x 2
5	1	Bushing	7915	7916	-----	-----
6	2	Snap Ring	941		975	
7	1	Diaphragm	416	417	418	1766
8	1	Seat	7502HSN	7503HSN	392	1793P
9	1	Diaphragm	421	422	423	1764
10	1	Gasket	387	388	389	1797



WEIGHT OPERATED DUMP VALVES



REPAIR KIT
3 INCH TREATER / DUMP VALVE



All Pictures shown are for illustration purpose only. Actual product may vary due to product enhancement.