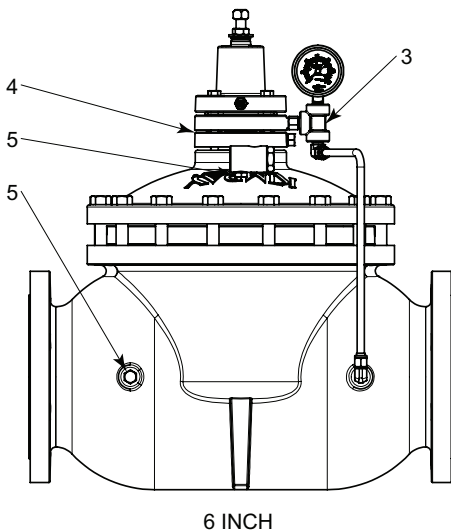


Scan here for Video



ITEM	QTY.	DESCRIPTION	PART NUMBER	
			2 inch	3,4, & 6 inch
1	1	Nipple	262	2600
2	4	Bolt		7671
3	1	Tee		2000
4	1	Pilot housing		1701
5	2	Plug		699
6	1	Diaphragm plate		116
7	1	Diaphragm		5259
8	1	Seat extension		4297
9	2	Diaphragm		110
9a	2	O-Ring (Viton Kit Only)		7508V
10	1	Spacer ring		2021
11	1	Pilot seat		113
12	1	Pilot plug		112
13	1	Pilot seat		565
14	1	Gasket		118
15	1	Spring		108

All Pictures shown are for illustration purpose only. Actual product may vary due to product enhancement.

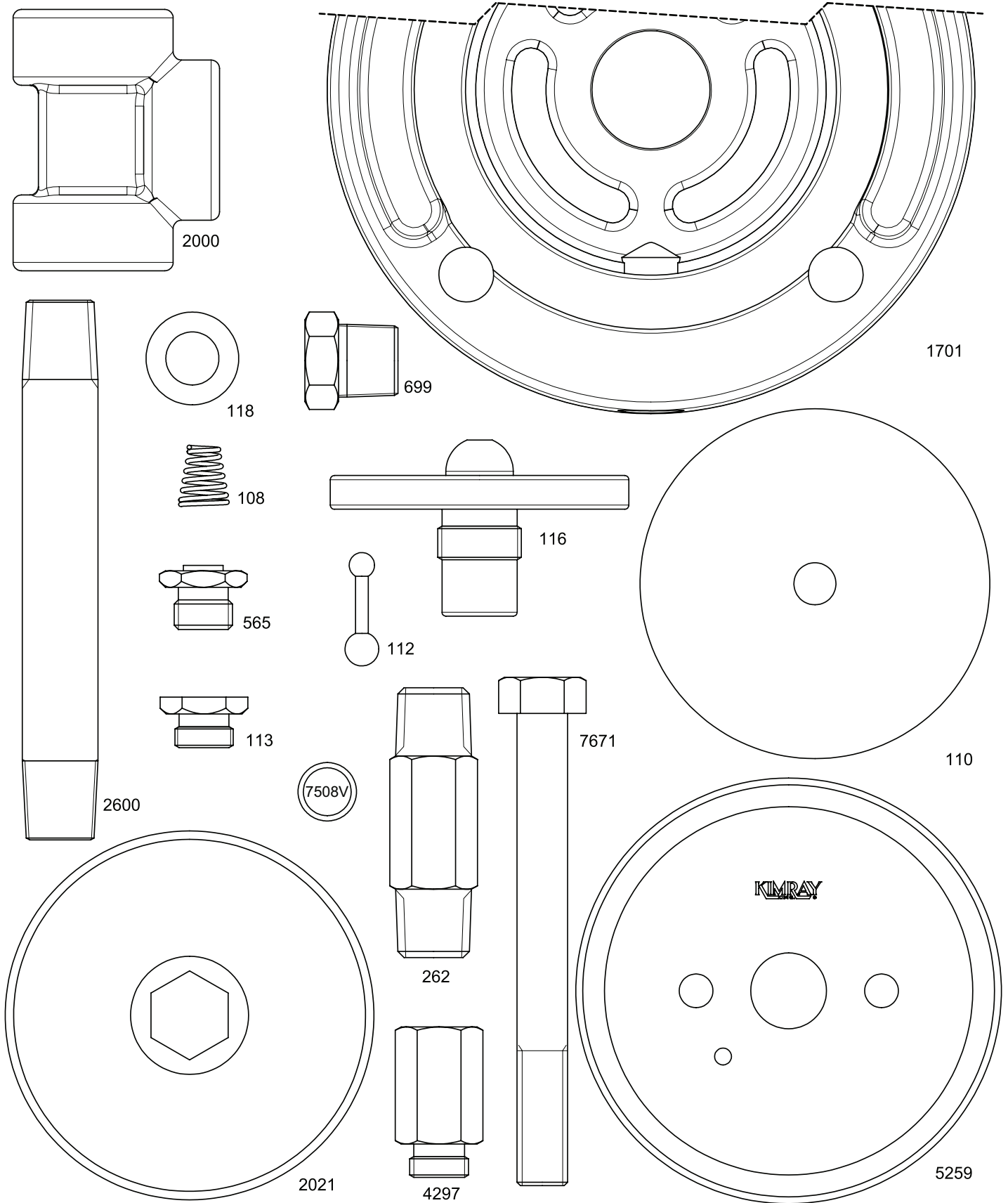
For additional information & documentation visit www.kimray.com

PRESSURE REGULATORS



REPAIR KIT

BACK PRESSURE TO BACK PRESSURE OUTSIDE SUPPLY CONVERSION



All Pictures shown are for illustration purpose only. Actual product may vary due to product enhancement.