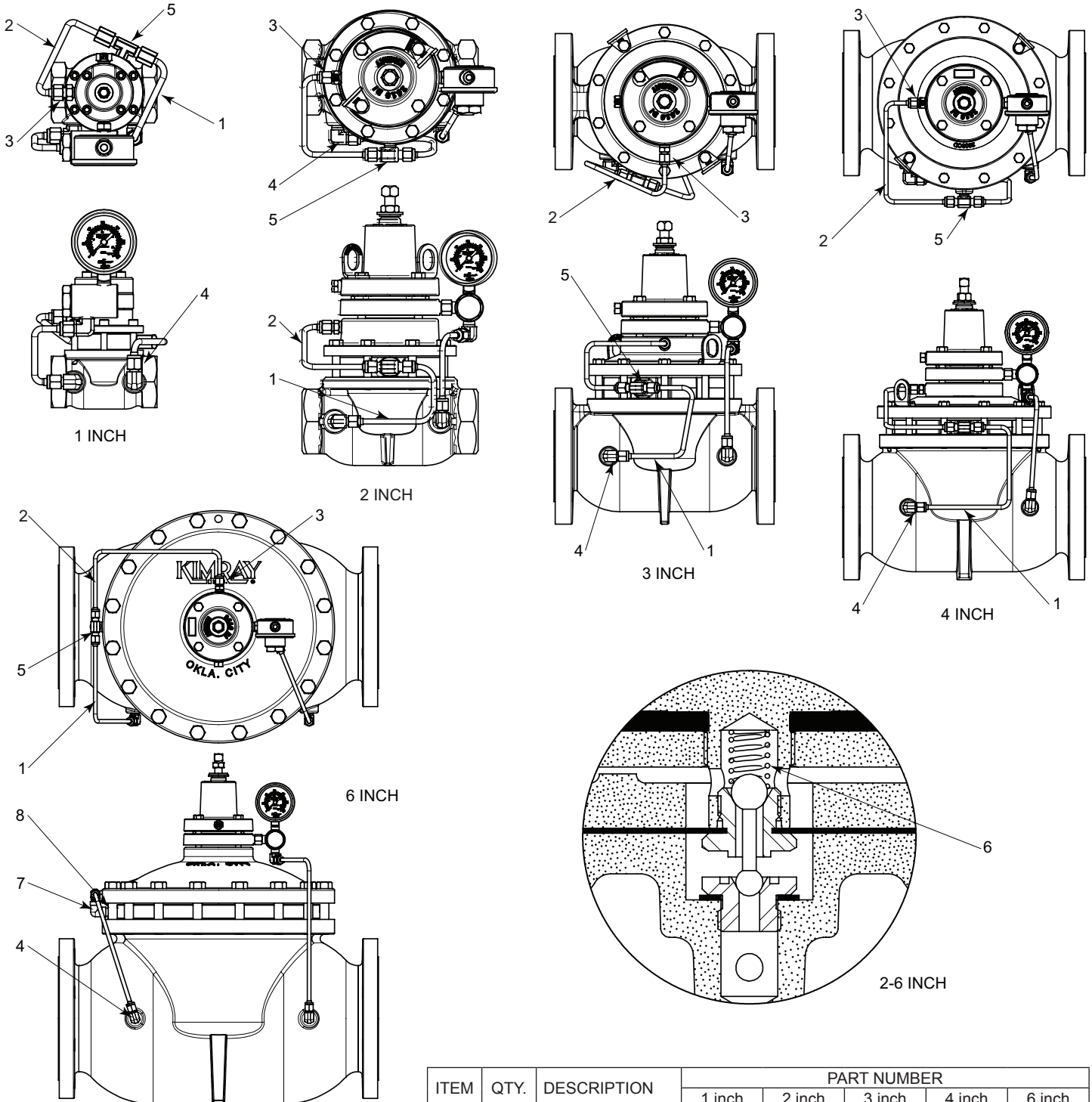


REPAIR KIT BACK PRESSURE TO BACK PRESSURE NON-VENT CONVERSION



ITEM	QTY.	DESCRIPTION	PART NUMBER				
			1 inch	2 inch	3 inch	4 inch	6 inch
1	1	Lower Tubing	7852S6	7854S6	7856S6	7858S6	7860S6
2	1	Upper Tubing	7853S6	7855S6	7857S6	7859S6	7861S6
3	1	Connector	1604	874	874	874	874
4	1	Eil	875	875	875	875	875
5	1	Tee	7713	5087	5087	5087	5087
6	1	Spring	----	585	585	585	585
7	1	Eil	----	----	----	----	1481
8	1	Nipple	----	----	----	----	648

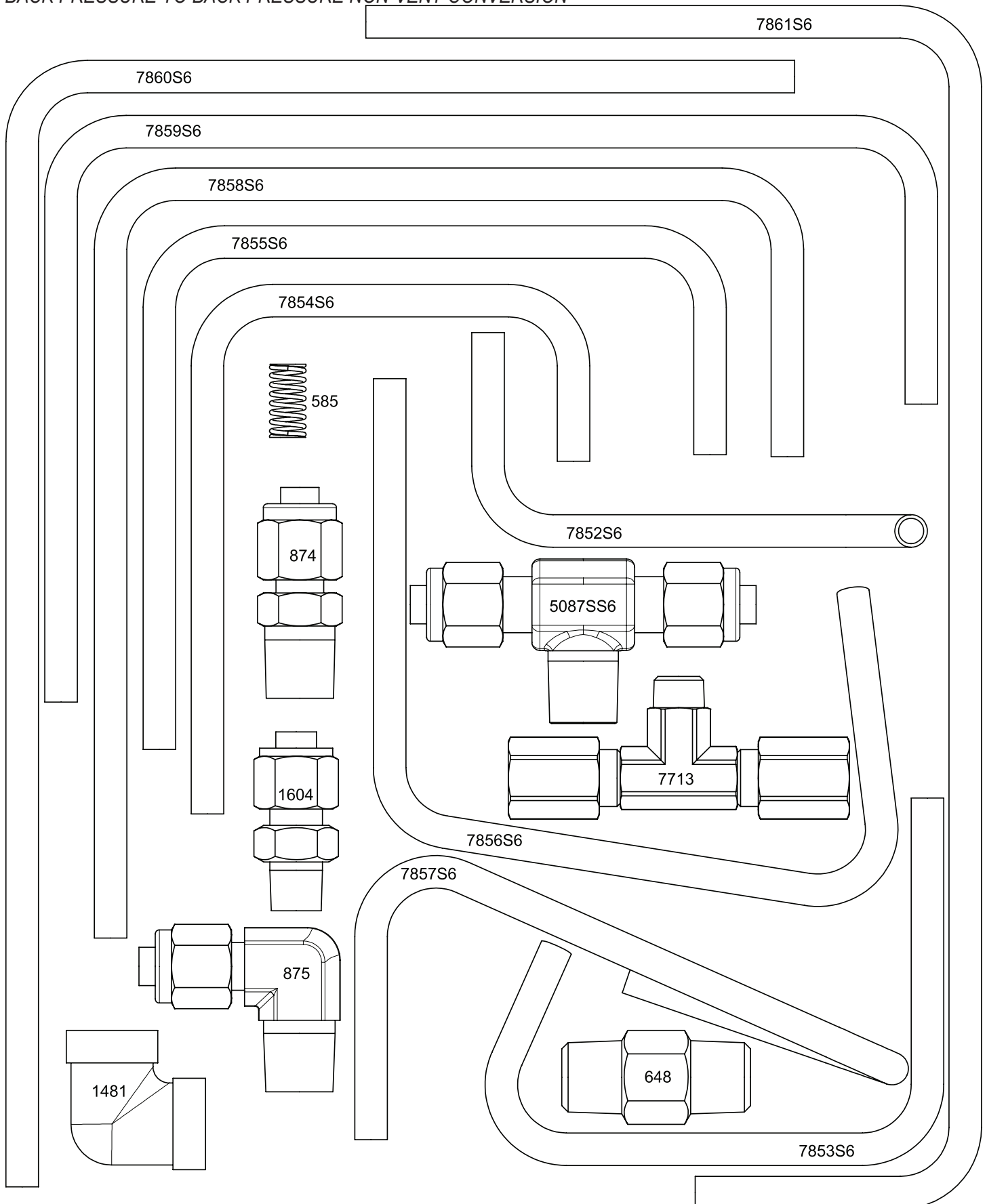
All Pictures shown are for illustration purpose only. Actual product may vary due to product enhancement.

For additional information & documentation visit www.kimray.com

PRESSURE REGULATORS



REPAIR KIT
BACK PRESSURE TO BACK PRESSURE NON-VENT CONVERSION



All Pictures shown are for illustration purpose only. Actual product may vary due to product enhancement.