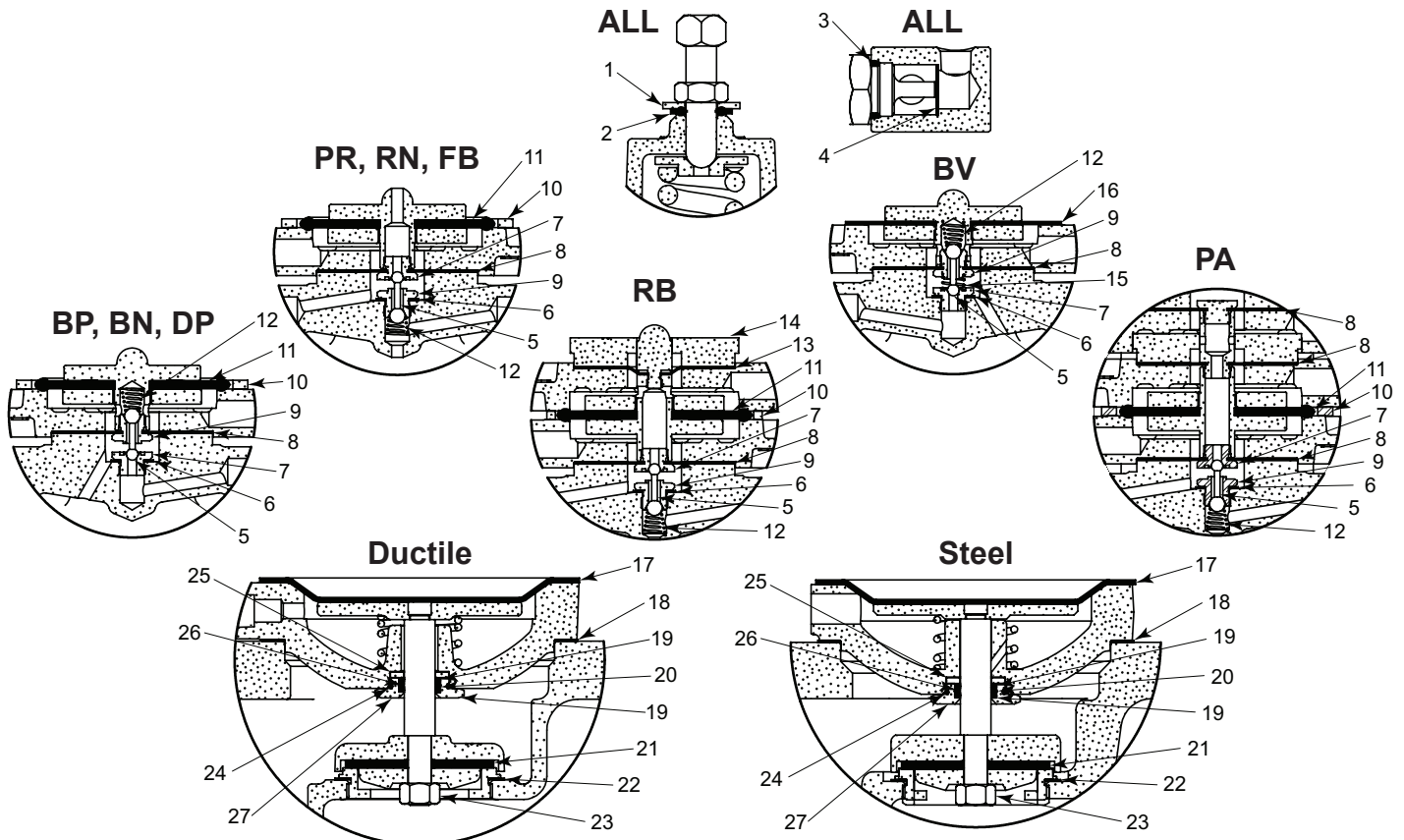


ITEM	QTY.	DESCRIPTION	PART NUMBER					BP	BN	BV	FB	PR	RN	RB	DP	PA
			1 inch	2 inch	3 inch	4 inch	6 inch									
1	1	Washer	4543		4491			X	X	X	X	X	X	X		
2	1	Thread Seal	4542		4488			X	X	X	X	X	X	X		
3	1	O-Ring			155			X	X	X	X	X	X	X		
4	6	Filter Screen			619			X	X	X	X	X	X	X		
5	1	Pilot Plug	3017		112			X	X	X	X	X	X	X	X	
6	1	Gasket Pilot Seat	3018		118			X	X	X	X	X	X	X	X	
7	1	Pilot Seat	3016		113			X	X	X	X	X	X	X	X	
8	1	Diaphragm Stabilizing	3014		110			X	X	X	X	X	X	X	X	
9	1	Pilot Seat	3015		565			X	X	X	X	X	X	X	X	
10	1	Spacer Ring	-----		7437			X	X	X	X	X	X	X	X	
11	1	Diaphragm	3011P		5259P			X	X		X	X	X	X	X	
12	1	Spring Helical Conical	3008		108			X		X	X	X		X	X	
	1	Spring	3008		585				X				X			
13	1	Diaphragm Stabilizing	3014		6520									X		
14	1	Gasket Bonnet	4554		276									X		
15	1	Spring Booster (Ductile only)	-----		566					X						
16	1	Diaphragm (Ductile only)	3011P		688					X						
17	1	Diaphragm	127	1706	1640	2015	2140	X	X	X	X	X	X	X	X	X
18	1	Gasket Body	195	196	197	198	199	X	X	X	X	X	X	X	X	X
19	2	Back Up	148T	149T	150T	151T	152T	X	X		X	X	X	X	X	X
20	1	O-Ring	153	154	155	156	157	X	X		X	X	X	X	X	X
21	1	Seat	163	164	165	166	167	X	X	X	X	X	X	X	X	X
		Full Port														
22	1	Gasket Removable Seat	-----	276	277	196	279	X	X	X	X	X	X	X	X	X
23	1	Nut	172	173	906	175	X	X	X	X	X	X	X	X	X	X
24	1	O-Ring	-----	5225	5226	5227	4086	X	X	X	X	X	X	X	X	X
25	1	Retainer	-----	4557ES6	4561ES6	4566ES6	4571E26	X	X	X	X	X	X	X	X	X
26	1	Channel Seal	-----	4557C	4561C	4566C	4571C	X	X	X	X	X	X	X	X	X
27	1	Spacer	-----	4557DS6	4561DS6	4566DS6	4571DS6	X	X	X	X	X	X	X	X	X



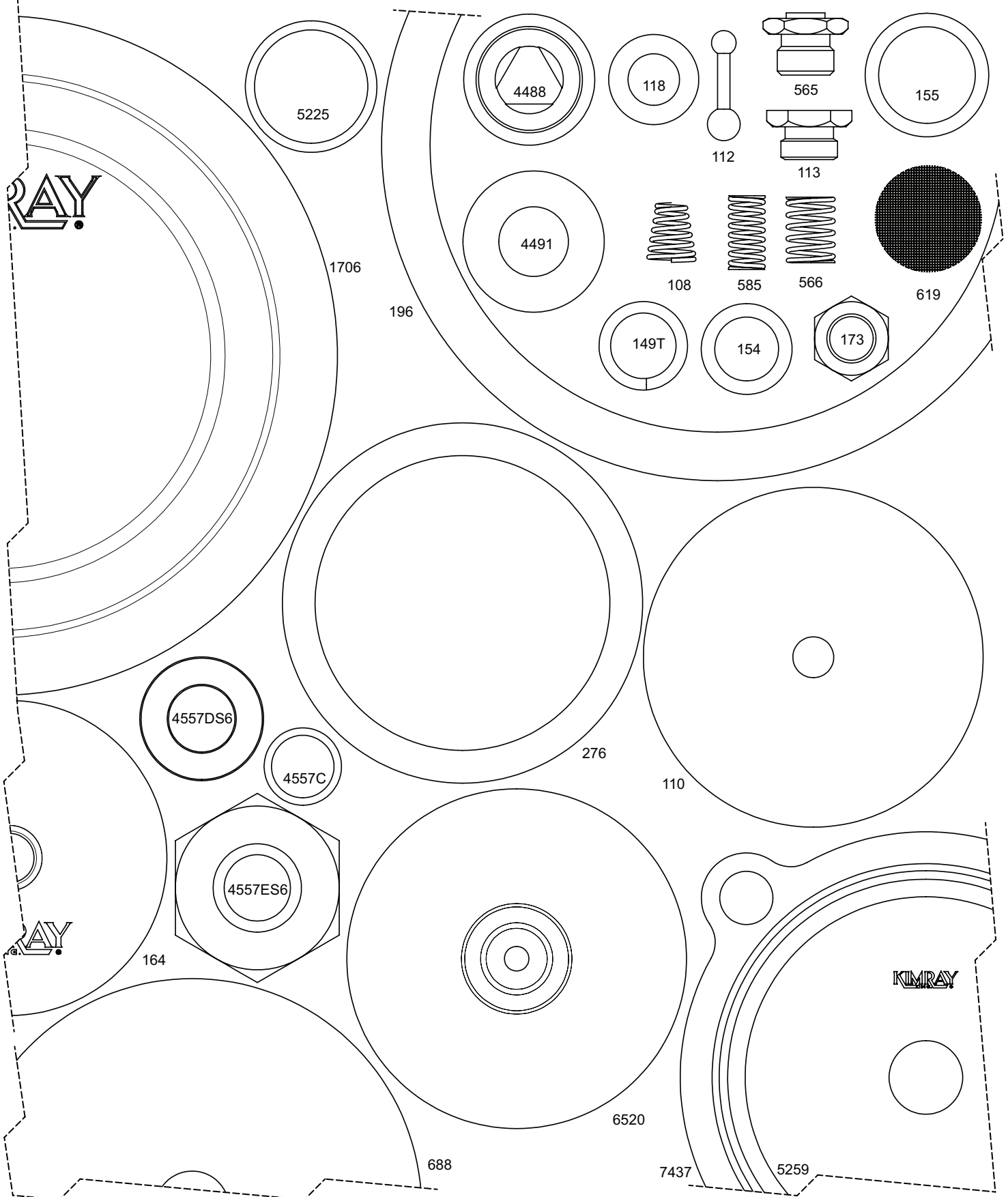
All Pictures shown are for illustration purpose only. Actual product may vary due to product enhancement.

For additional information & documentation visit www.kimray.com

PRESSURE REGULATORS



REPAIR KIT 2 INCH PNEUMATICALLY ADJUSTED & NON LUBE VALVES



All Pictures shown are for illustration purpose only. Actual product may vary due to product enhancement.