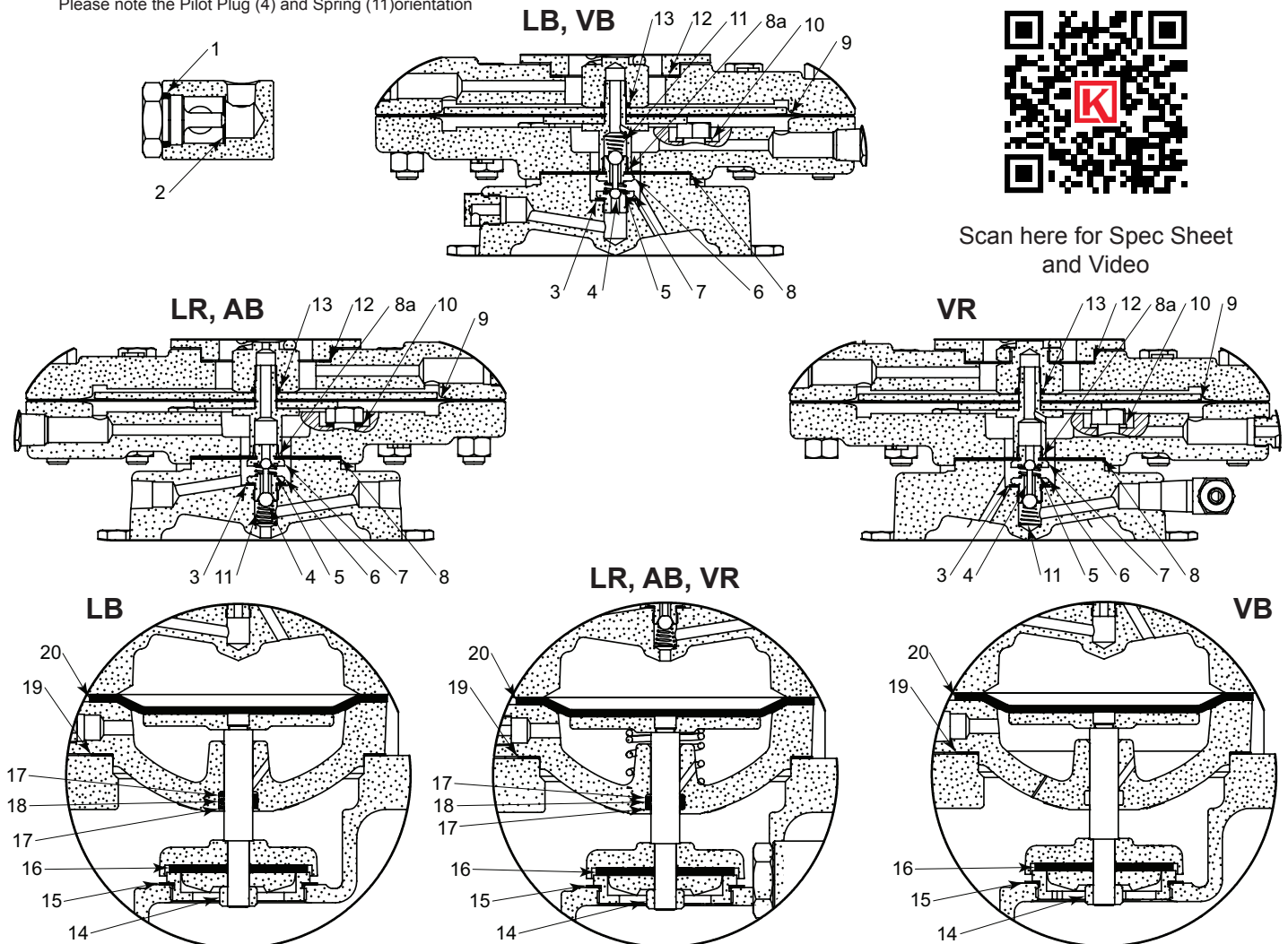


ITEM	QTY.	DESCRIPTION	PART NUMBER					LB	VB	AB	LR	VR
			1 inch	2 inch	3 inch	4 inch	6 inch					
1	1	O-Ring			155			X	X	X	X	X
2	6	Filter Screen			619			X	X	X	X	X
3	1	Gasket Pilot Seat			118			X	X	X	X	X
4	1	Pilot Plug			112			X	X	X	X	X
5	1	Spring			566			X	X	X	X	X
6	1	Pilot Seat			565			X	X	X	X	X
7	1	Pilot Seat			113			X	X	X	X	X
8	1	Diaphragm			110			X	X	X	X	X
8a	1	O-Ring			7508V			X	X	X	X	X
9	1	Diaphragm			1212			X	X	X	X	X
10	1	Gasket			242			X	X	X	X	X
11	1	Spring Helical Conical			1360			X	X	X	X	X
			----		108						X	
12	1	Gasket			1216			X	X	X	X	
					5027							X
13	1	O-Ring			265			X	X	X	X	X
14	1	Nut	172	173	906	906	175	X	X	X	X	X
15	1	Gasket Removable Seat	----	276	277	196	279	X	X	X	X	X
16	1	Seat	163	164	165	166	167	X	X	X	X	X
17	2	Back Up	148T	149T	150T	151T	152T	X		X	X	X
18	1	O-Ring	153	154	155	156	157	X		X	X	X
19	1	Gasket Body	195	196	197	198	199	X	X	X	X	X
20	1	Diaphragm	127	1706	1640	2015	2140	X	X	X	X	X

Please note the Pilot Plug (4) and Spring (11) orientation



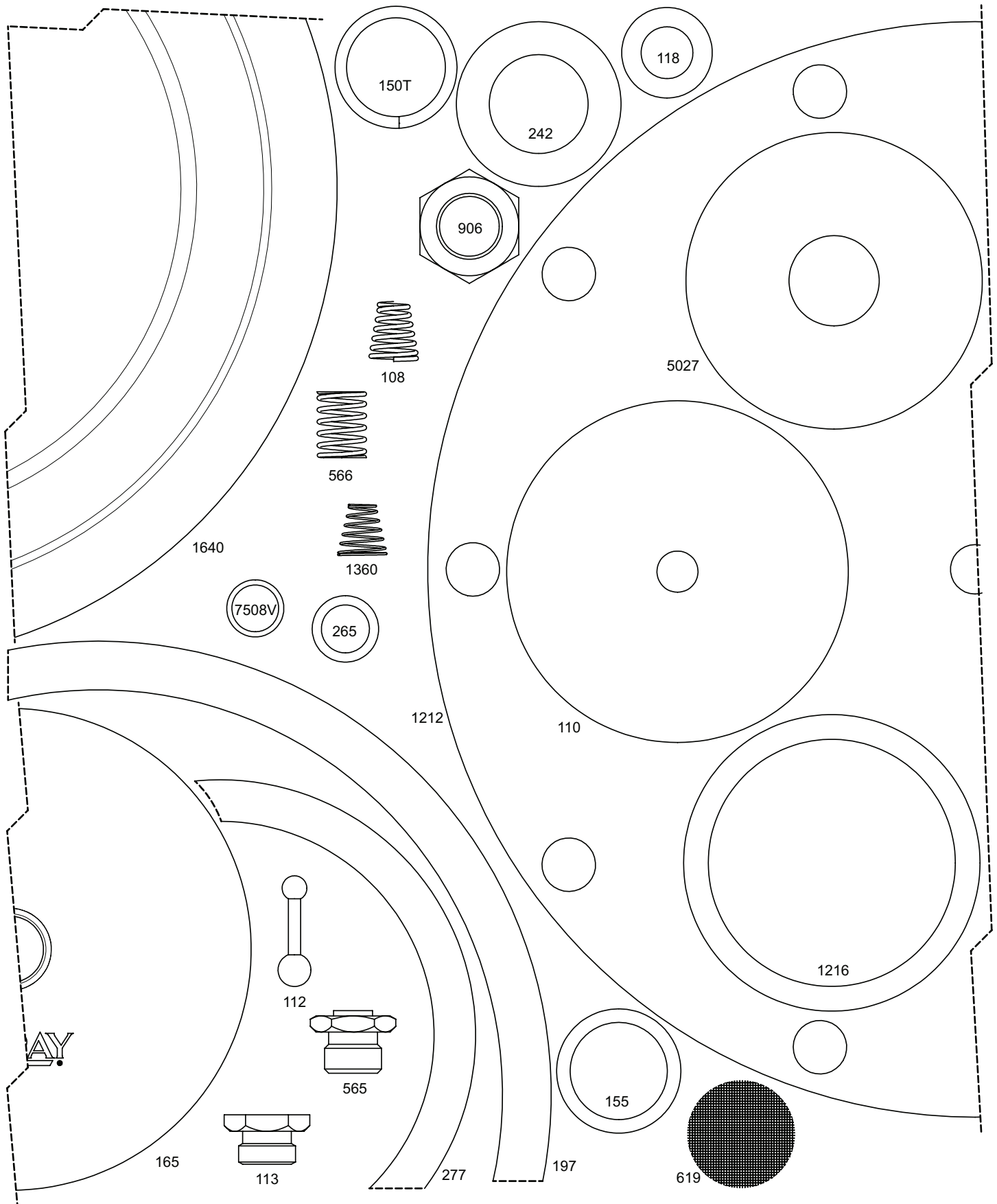
All Pictures shown are for illustration purpose only. Actual product may vary due to product enhancement.

For additional information & documentation visit www.kimray.com

PRESSURE REGULATORS



REPAIR KIT 3 INCH LOW PRESSURE REGULATORS



All Pictures shown are for illustration purpose only. Actual product may vary due to product enhancement.