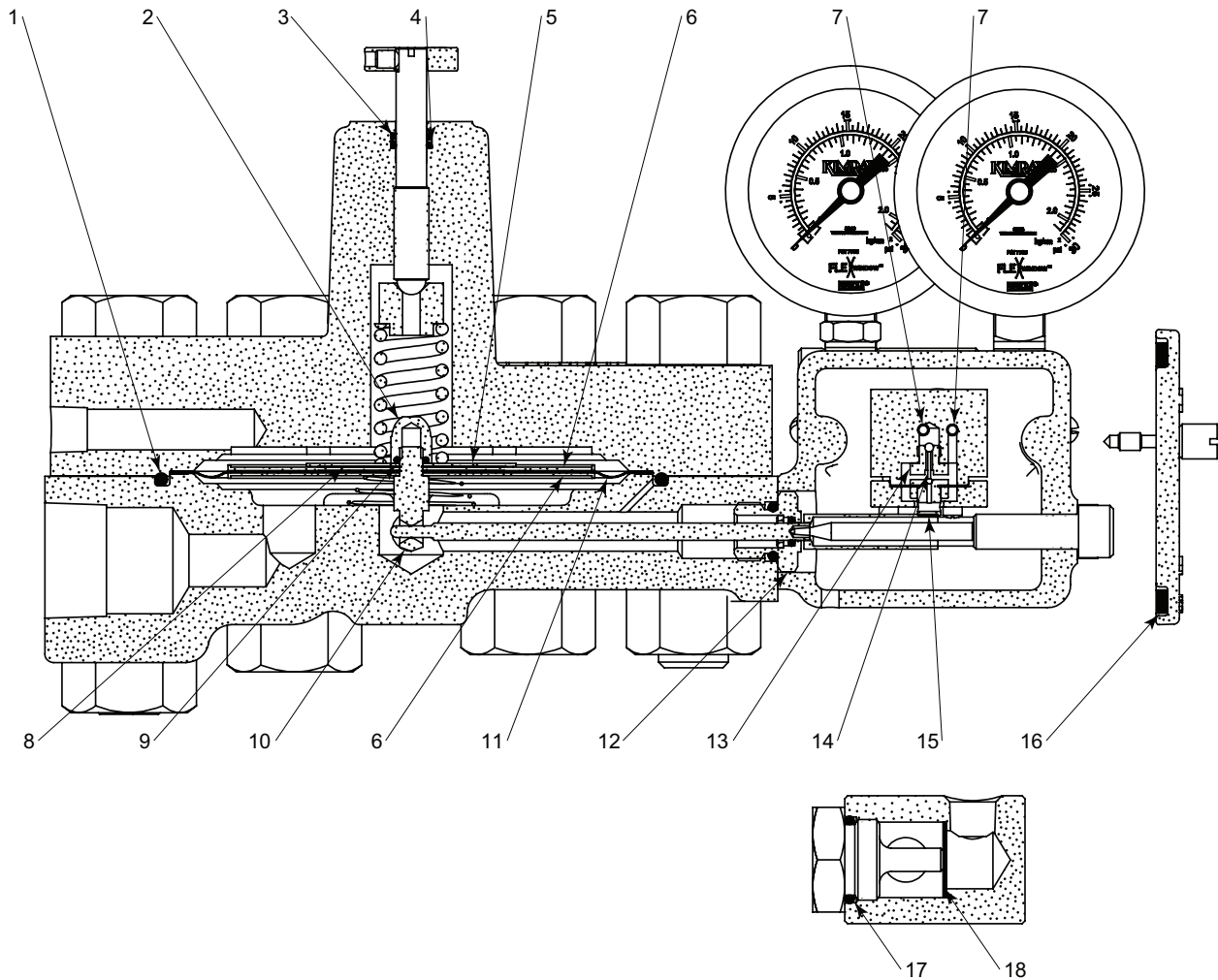


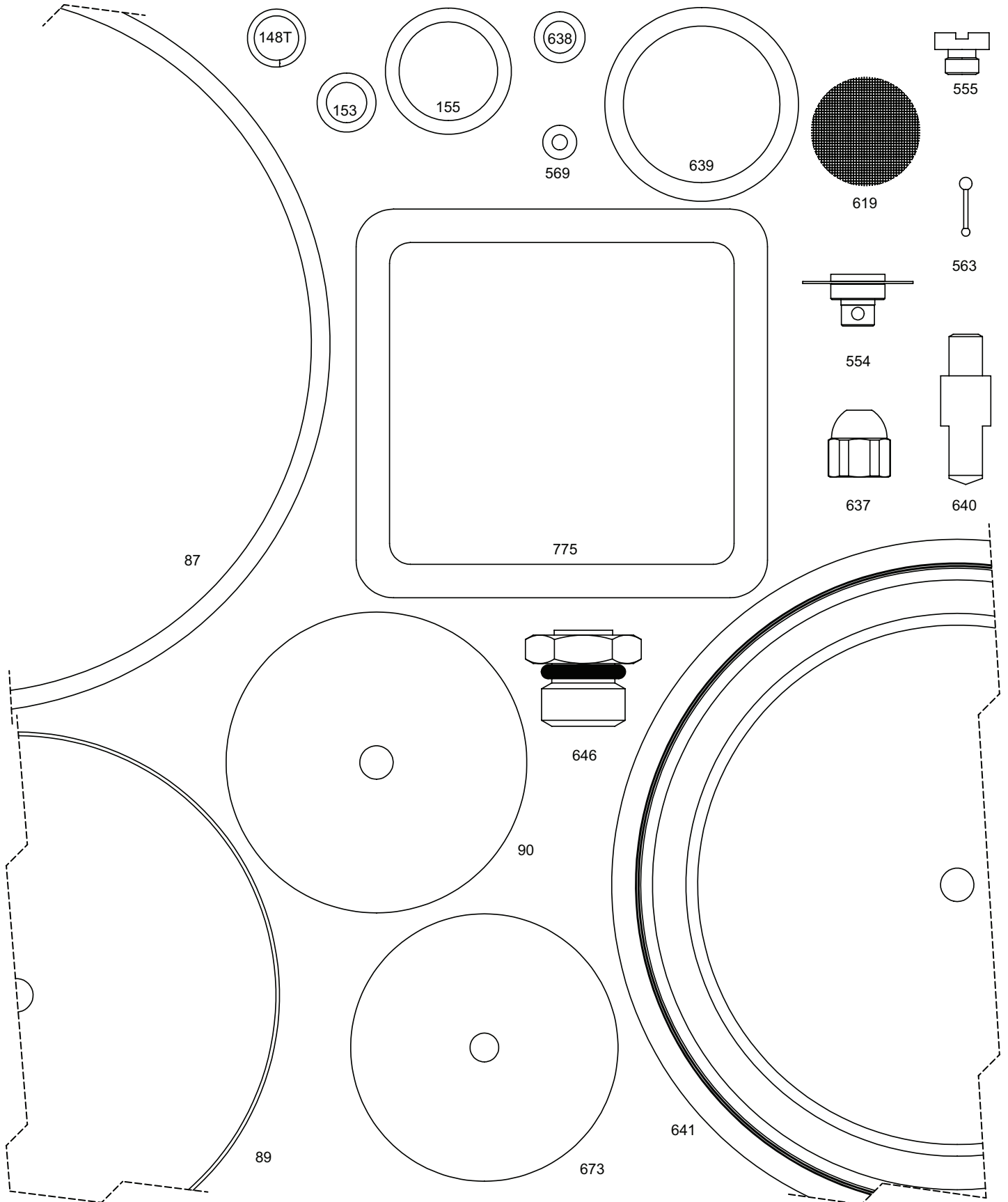
ITEM	QTY.	DESCRIPTION	PART NUMBER
1	1	O-Ring	87
2	1	Nut	637
3	1	Back-up	148T
4	1	O-Ring	153
5	1	Spacer Plate	90
6	2	Diaphragm	89
7	2	O-Ring	569
8	2	Diaphragm Seal Ring	673
9	1	O-Ring	638
10	1	Diaphragm Bolt	640
11	1	Diaphragm	641
12	1	Packing Gland Assembly	646
13	1	Seat	555
14	1	Pilot Plug	563
15	1	Seat Assembly	554
16	1	Gasket	775
17	1	O-Ring	155
18	6	Screen	619
N/A	1	O-Ring (for old style bonnet)	639



All Pictures shown are for illustration purpose only. Actual product may vary due to product enhancement.

For additional information & documentation visit www.kimray.com

REPAIR KIT
PRESSURE DIFFERENTIAL CONTROLLER



All Pictures shown are for illustration purpose only. Actual product may vary due to product enhancement.