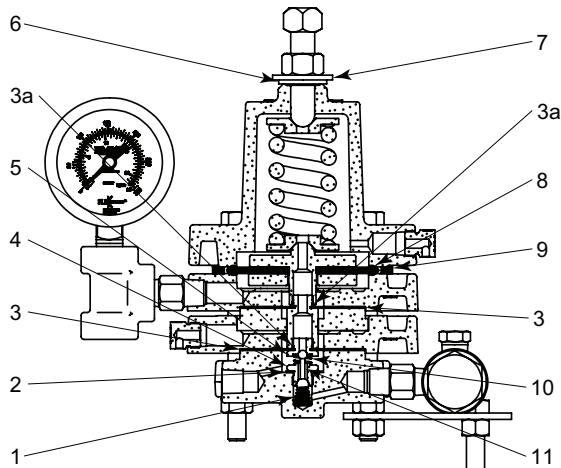
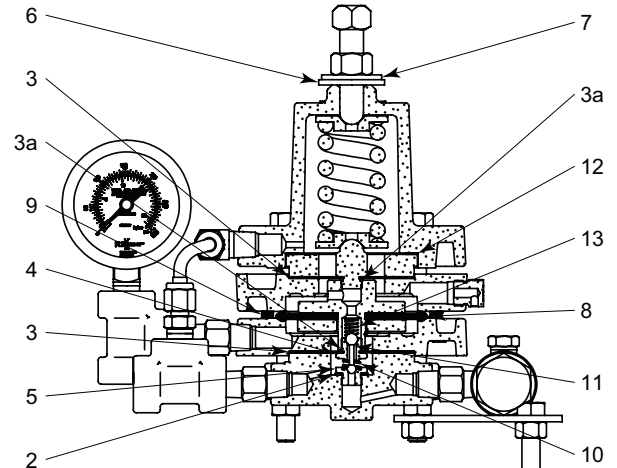


### REPAIR KIT DIAPHRAGM CONTROLLED HIGH PRESSURE

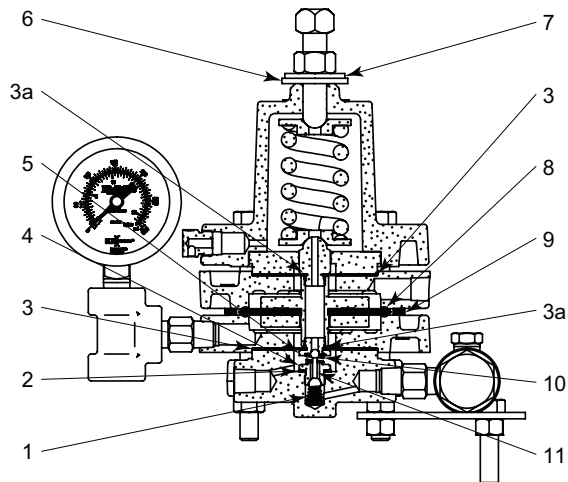
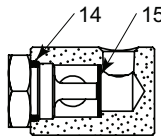
ITEM	QTY.	DESCRIPTION	PART NUMBER			
			INDIRECT ACTING	DIRECT ACTING	DIFFERENTIAL	DA PRESS. SWITCH
1	1	Spring Helical Conical	108	----	108	----
2	1	Gasket Pilot Seat			118	
3	2	Diaphragm Stabilizing			110	
3a	2	O-Ring (Viton Kit Only)			7508V	
4	1	Pilot Seat			565	
5	1	Pilot Seat			113	
6	1	Thread Seal			4488	
7	1	Washer			4491	
8	1	Diaphragm			5259P	
9	1	Spacer Ring			7437	
10	1	Spring Booster			566	
11	1	Pilot Plug			112	
12	1	Gasket Bonnet	----	276		----
13	1	Spring	----	585	----	585
14	1	O-Ring			155	
15	6	Filter Screen			619	



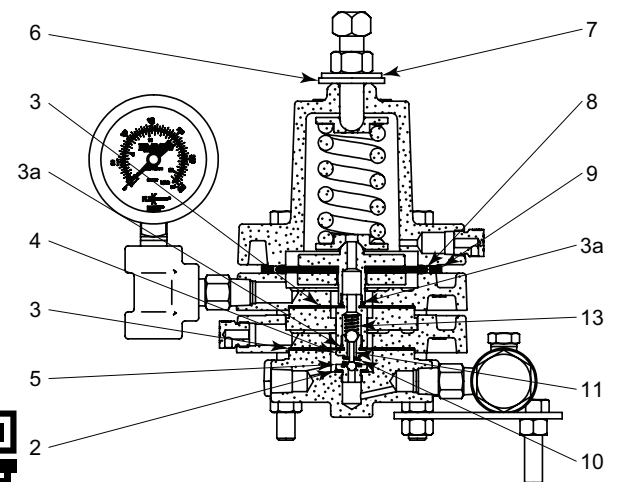
**INDIRECT ACTING**



**DIRECT ACTING**



**DIFFERENTIAL**



**DA PRESS. SWITCH**



Scan here for Video

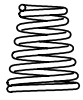
All Pictures shown are for illustration purpose only. Actual product may vary due to product enhancement.

For additional information & documentation visit [www.kimray.com](http://www.kimray.com)

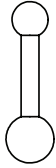
**PILOTS AND RELAYS**



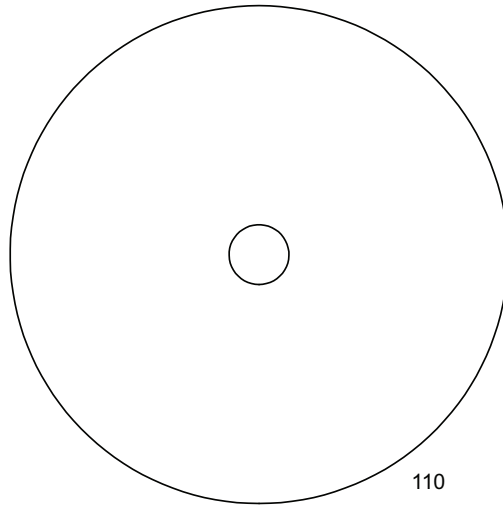
**REPAIR KIT  
DIAPHRAGM CONTROLLED HIGH PRESSURE**



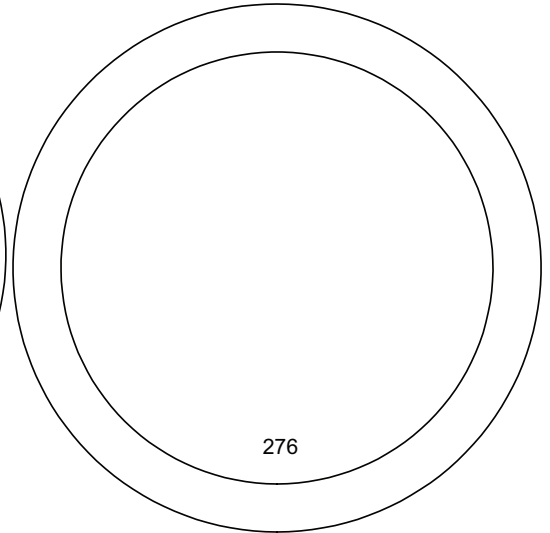
108



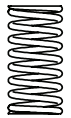
112



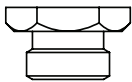
110



276



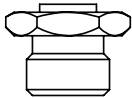
585



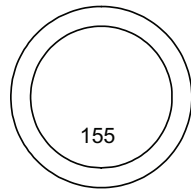
113



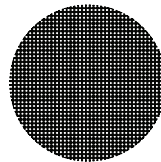
566



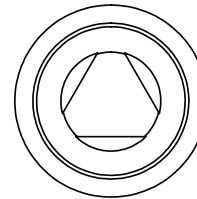
565



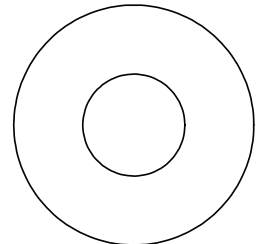
155



619



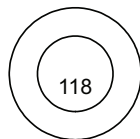
4488



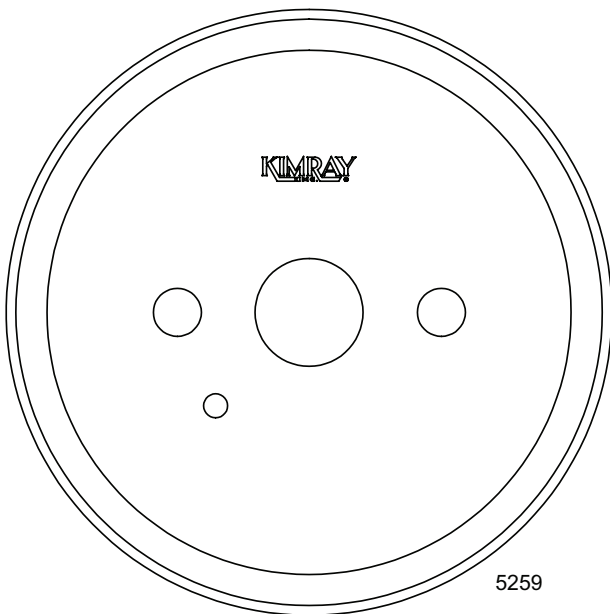
4491



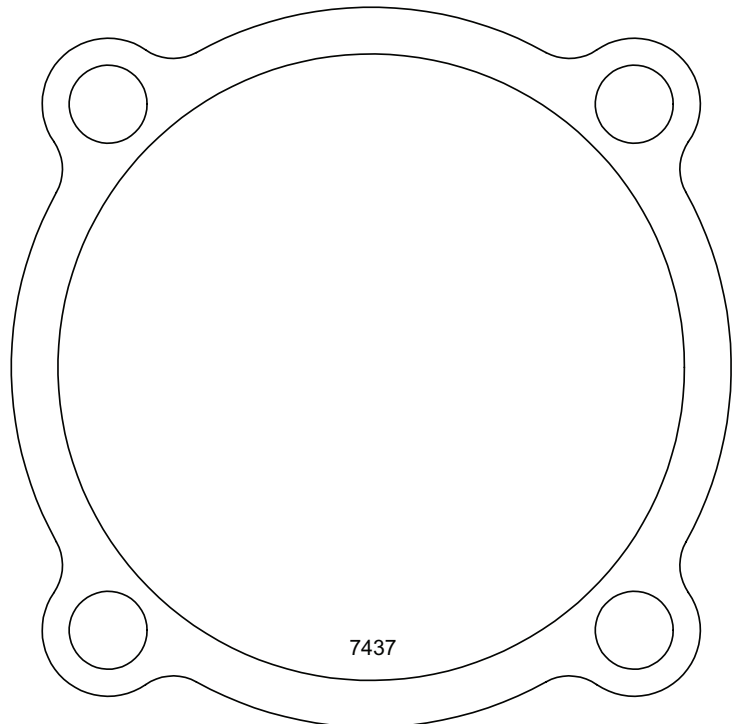
7508V



118



5259



7437

All Pictures shown are for illustration purpose only. Actual product may vary due to product enhancement.