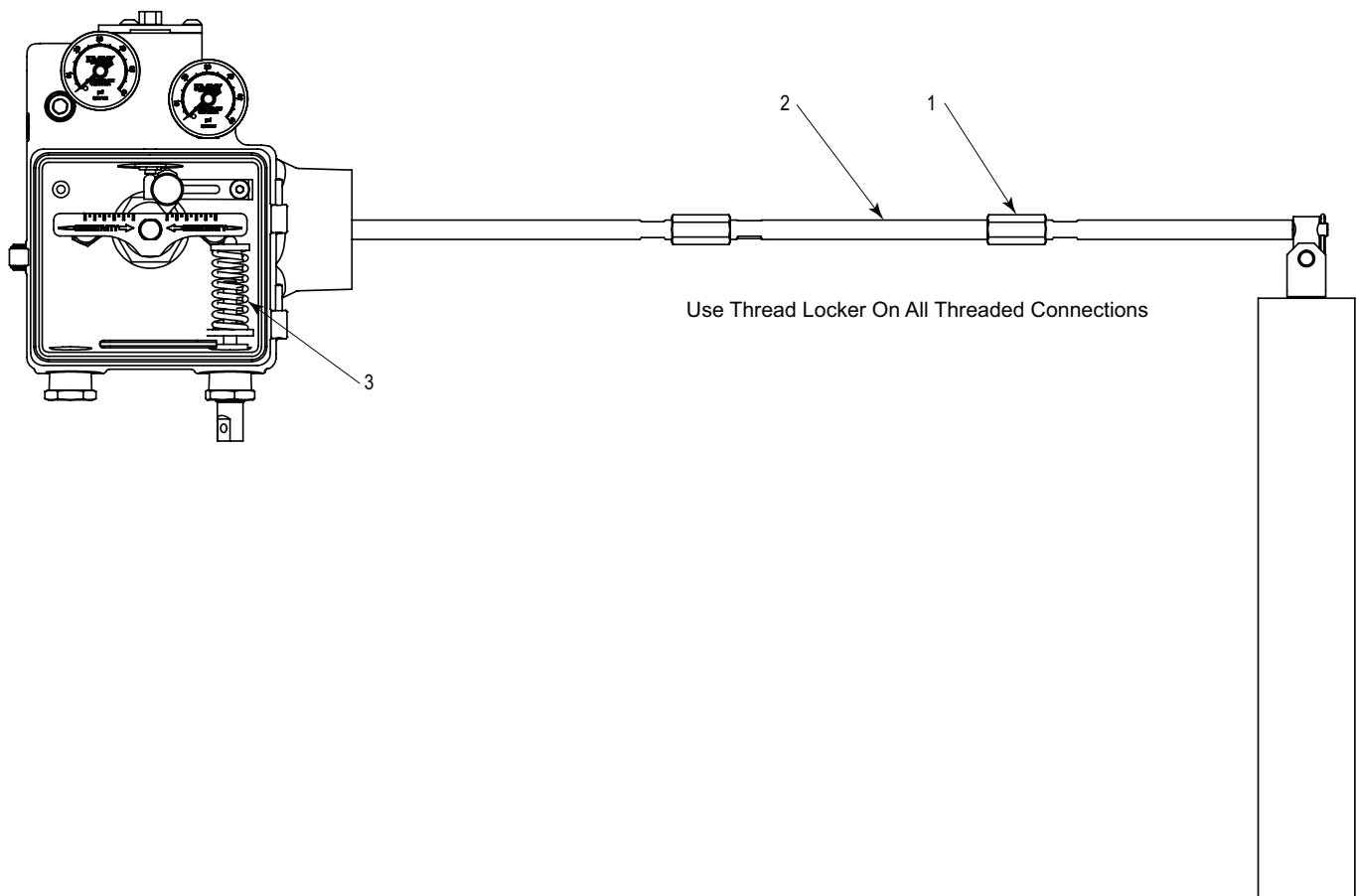


ITEM	QTY.	DESCRIPTION	PART NO
1	1	Displacer Arm Coupling	5454
2	1	6" Arm Extension	5543L6
		12" Arm Extension	5543L12
		18" Arm Extension	5543L18
3	1	Spring *	7726



\* The Heavy Spring P/N 7726 is included for your convenience, but may or may not need to be installed. Refer to the table below to determine whether this heavy spring should be installed based on your displacer size and extension length.

ITEM	QTY.	DESCRIPTION	PART NO	WEIGHT	MAX TEMP	MAX PSI	MIN DIFF. SP.GR.	MATERIAL	SPRING P/N BASED ON EXTENSION LENGTH			
									NO Ext.	6" Ext.	12" Ext.	18" Ext.
3	1	Displacers										
		1 7/8" x 12" Lg	7637A	1lb 15oz	180°F	4000	>0.20	PVC	7725	7725	7725	7725
		2 1/2" x 12" Lg	7639A	3lb 0.5oz	180°F	4000	>0.15	PVC	7725	7725	7726	7726
		1 7/8" x 20" Lg	7638A	3lb 5oz	180°F	4000	>0.15	PVC	7725	7725	7726	7726
		2 3/4" x 14 1/4" Lg	7640A	4lb 5oz	180°F	4000	>0.1	PVC	7725	7726	7726	7726
		1 3/4" x 12" Lg	5461SS6	1lb 15oz	500°F	2000	>0.20	316SS	7725	7725	7725	7725
1 3/4" x 20" Lg	5461SS6L20	3lb 0oz	500°F	2000	>0.17	316SS	7725	7725	7726	7726		

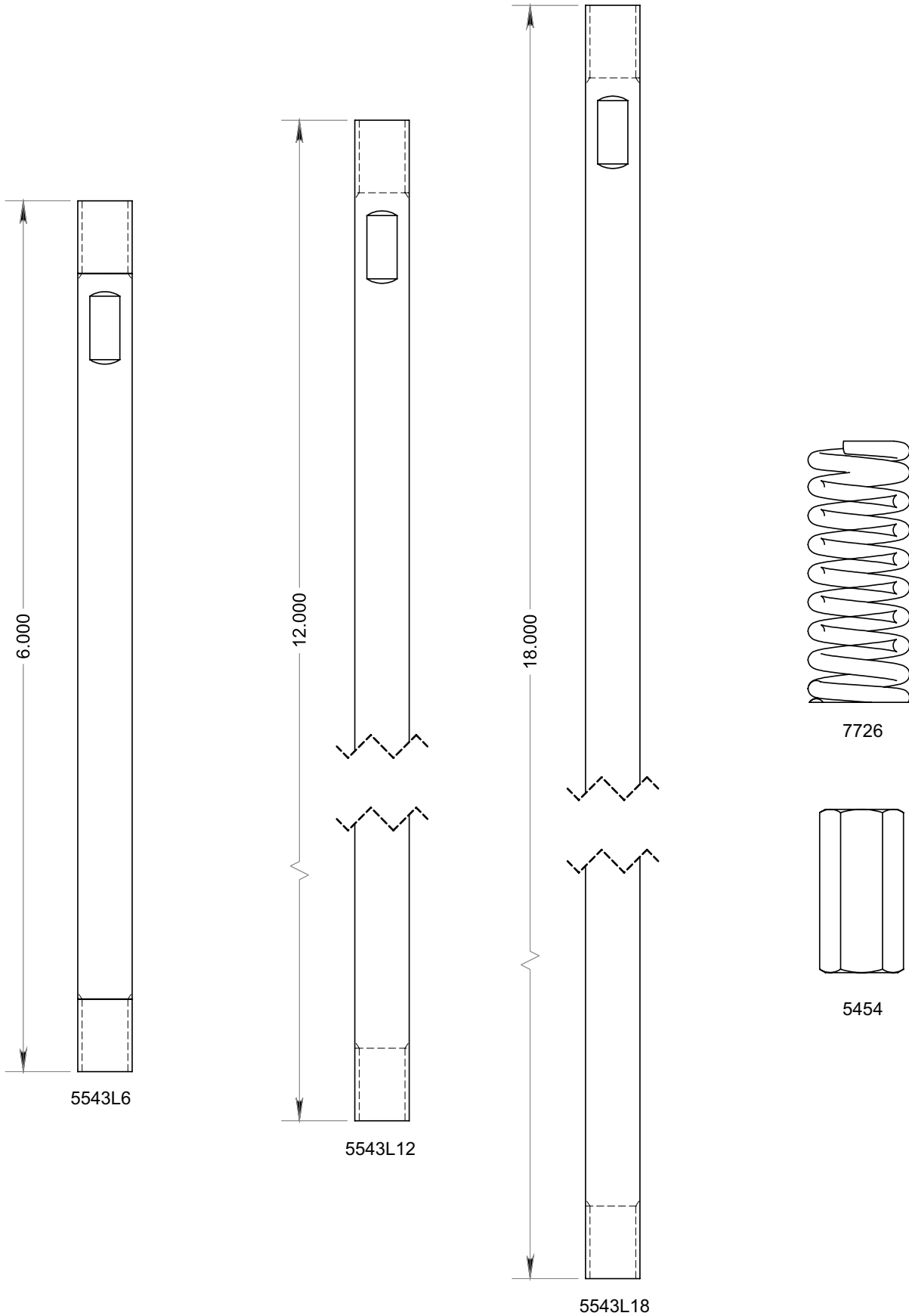
All Pictures shown are for illustration purpose only. Actual product may vary due to product enhancement.

For additional information & documentation visit [www.kimray.com](http://www.kimray.com)

**FLOAT OPERATED CONTROLLERS**



EXTENSION KIT  
GEN 3 PNEUMATIC LEVEL CONTROLLER



All Pictures shown are for illustration purpose only. Actual product may vary due to product enhancement.