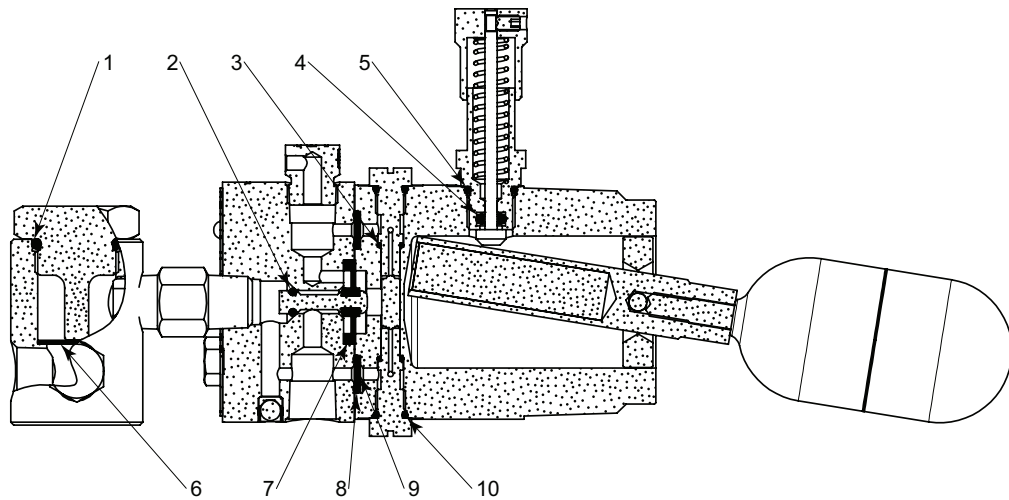
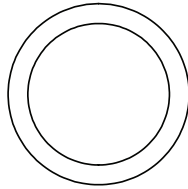


ITEM	QTY.	DESCRIPTION	PART NO.
1	1	O-Ring	155
2	1	O-Ring	7016
3	2	O-Ring	7015
4	1	O-Ring	5410
5	1	O-Ring	7584
5	6	Screen	619
6	1	Diaphragm	6994
8	2	O-Ring	7524
9	2	Disc Filter	7012
10	2	O-Ring	7019

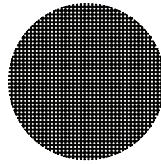


FLOAT OPERATED CONTROLLERS

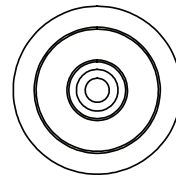
REPAIR KIT
PNEUMATIC LEVEL SWITCH



155



619



6994



5410



7012



7015



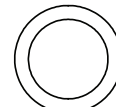
7016



7019V



7524



7584