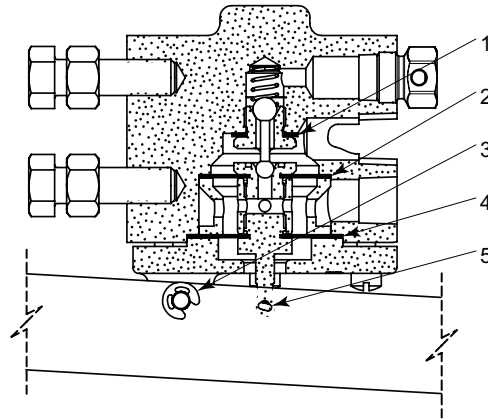
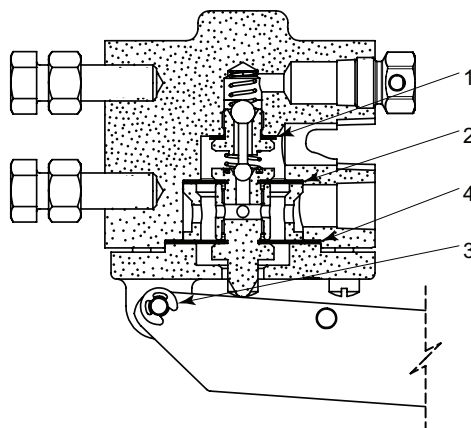


ITEM	QTY.	DESCRIPTION	NUMBER	3 PM	3PMB
1	2	Gasket	118	X	X
2	1	Diaphragm	2619	X	X
3	2	Snap Ring	1181	X	X
4	1	Diaphragm	583	X	X
5	2	Cotter Pin	363	X	

3 PMB BI-STABLE MECHANICAL PILOT

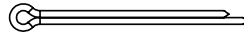
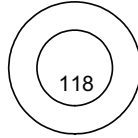


3 PM MECHANICAL PILOT

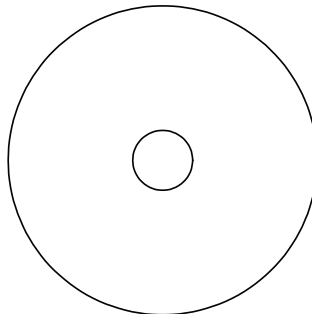


**LIQUID DUMP VALVES LEVER OPERATED<sub>a</sub>**

REPAIR KIT  
MECHANICAL PILOT



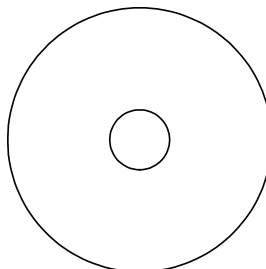
363



583



1181



2619