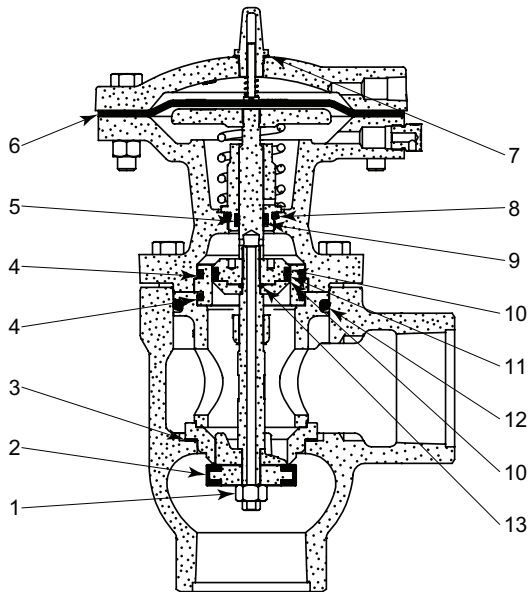
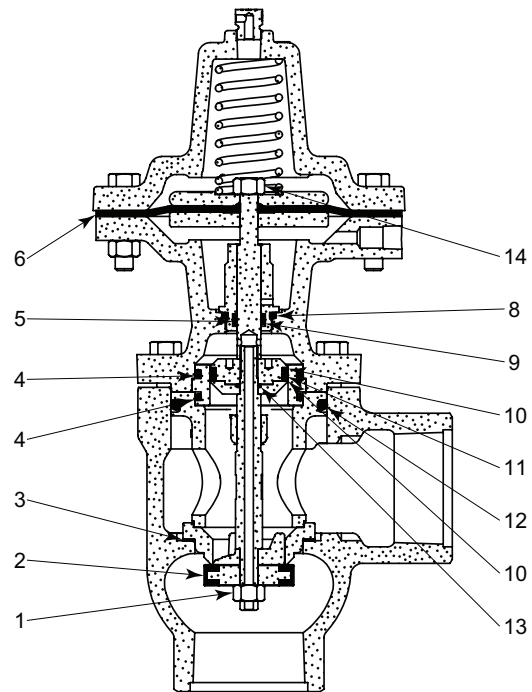


ITEM	QTY.	DESCRIPTION	FAIL CLOSE			FAIL OPEN		
			2 INCH	3 INCH	4 INCH	2 INCH	3 INCH	4 INCH
1	1	Lock Nut	173	906		173	906	
2	1	Seat	7498	7499	165	7498	7499	165
3	1	Gasket	276	277	309	276	277	309
4	2	O-Ring	774HSN	329HSN	1872	774HSN	329HSN	1872
5	1	O-Ring	154	155		154	155	
6	1	Diaphragm	6810	6811		7053	743	
7	1	Gasket	1784			----		
8	1	O-Ring	1107	639	639	1107	639	639
9	2	Back Up	149T	150T		149T	150T	
10	2	Back up	1685	1870	1871	1685	1870	1871
11	1	O-Ring	808HSN	802HSN	2083	808HSN	802HSN	2083
12	1	O-Ring	329	330	331	329	330	331
13	1	O-Ring	265HSN	154HSN	154	265HSN	154HSN	154
14	1	Lock Nut	173	906		----		



FAIL CLOSE

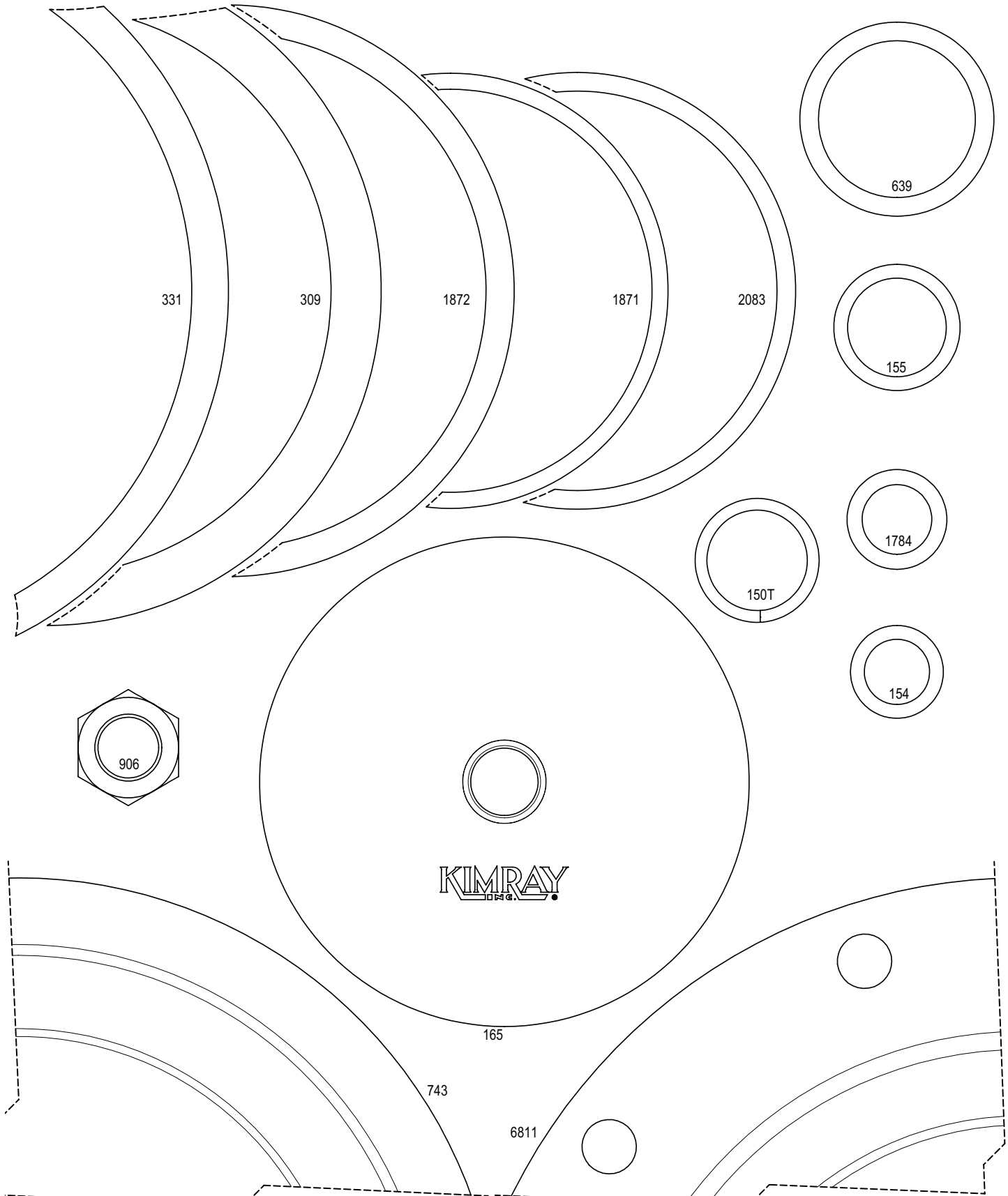


FAIL OPEN

LIQUID DUMP VALVES PNEUMATIC OPERATED



REPAIR KIT
4 INCH PISTON BALANCED



All Pictures shown are for illustration purpose only. Actual product may vary due to product enhancement.