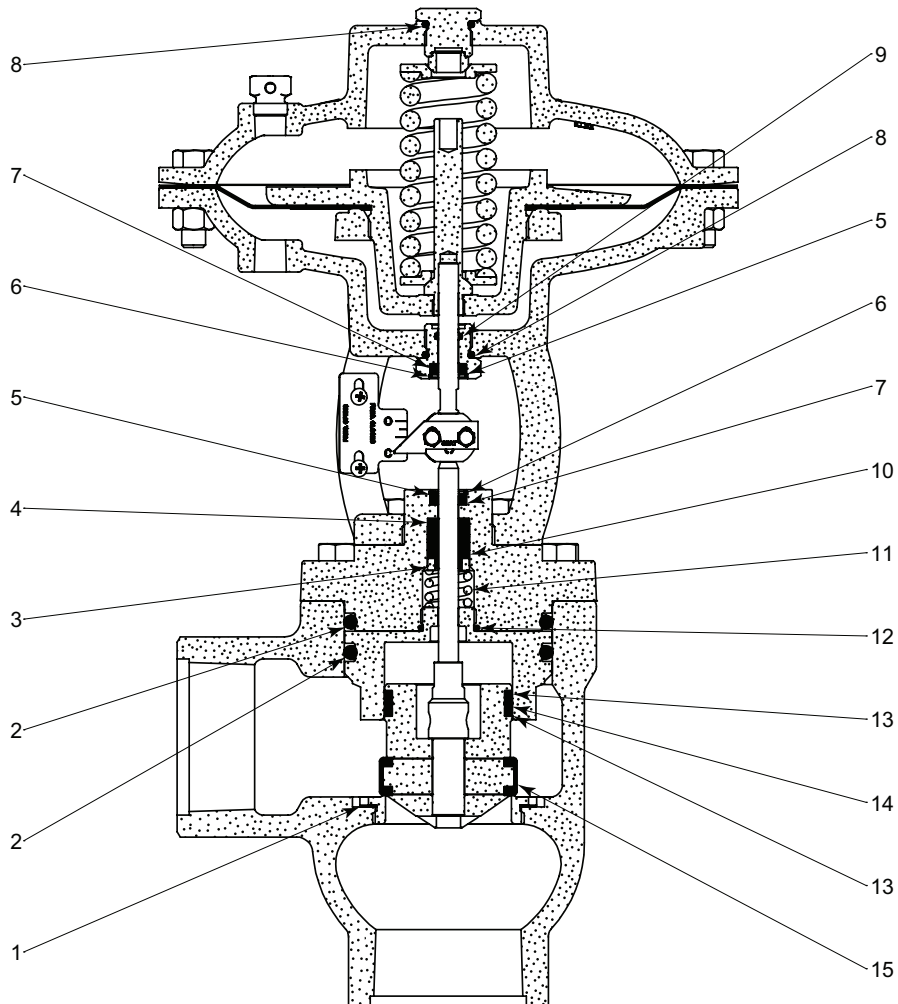


ITEM	QTY.	DESCRIPTION	2 INCH	3 INCH	4 INCH	
1	1	Gasket	276	277	196	
2	2	O-Ring	329	330	331	
3	1	Packing Follower	482SS6	531SS6	531SS6	
4	1	Packing Sleeve	485	534	534	
5	2	Retainer	486	528	528	
6	2	Snap Ring	938	940	940	
7	2	Felt Wiper	480	527	527	
8	2	O-Ring	491	537	537	
9	1	O-Ring	153	530	530	
10	(Qty)	Packing Ring	484 (4)	533 (6)	533 (6)	
11	1	Packing Spring	465	509	509	
12	1	O-Ring	----	----	7901	
13	2	Back Up	Full Port	7683	7684	7902
			Reduced Port	7558	7683	7684
14	1	Piston Seal	Full Port	801	4768	4992
			Reduced Port	808	801	4768
15	1	Seat Disc	Full Port	7669	7685	7903
			Reduced Port	7498	7669	7685



All Pictures shown are for illustration purpose only. Actual product may vary due to product enhancement.

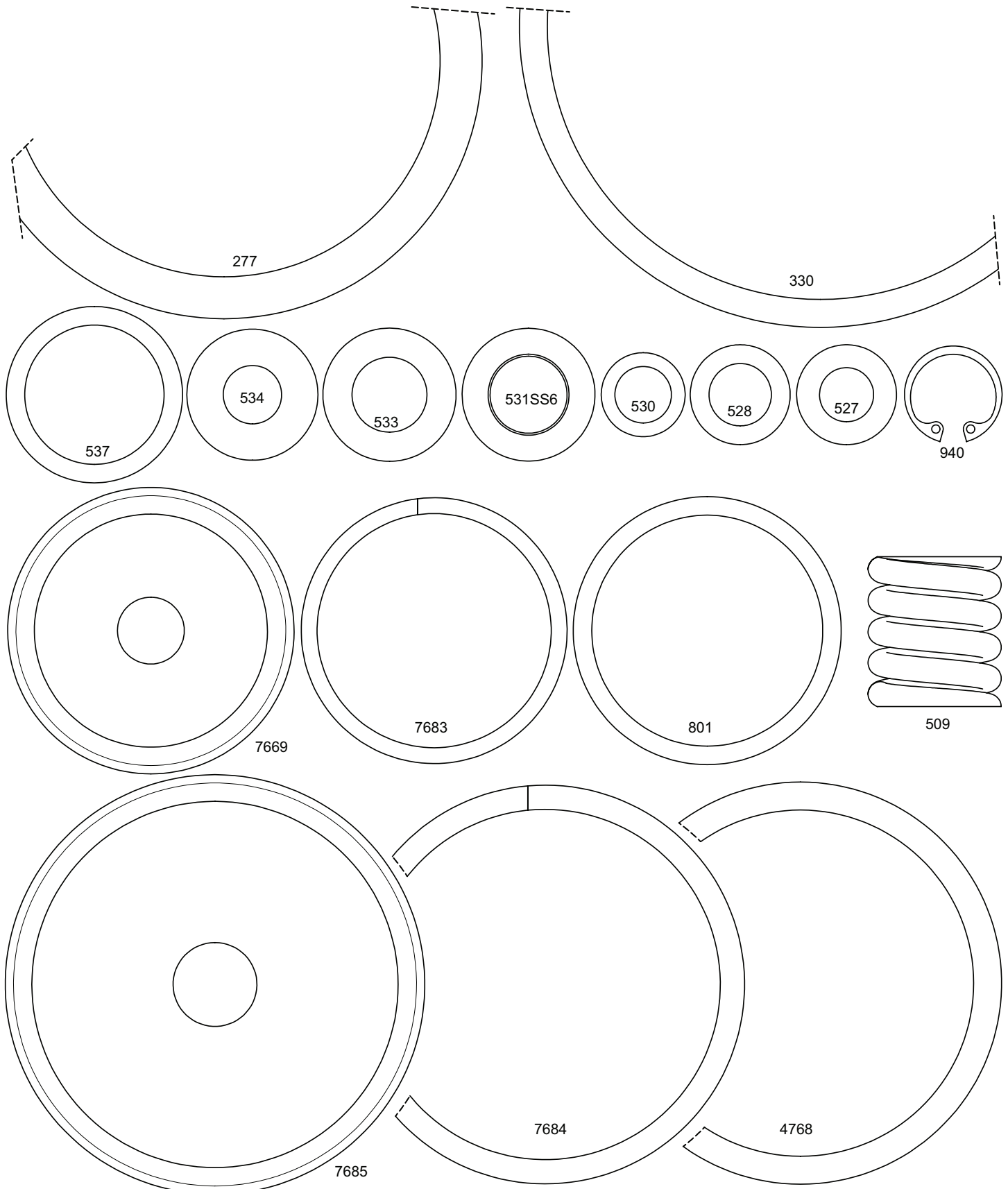
For additional information & documentation visit www.kimray.com

LIQUID DUMP VALVES PNEUMATIC OPERATED



REPAIR KIT

3 INCH PISTON BALANCED THROTTLING LOW PRESSURE HIGH VOLUME



All Pictures shown are for illustration purpose only. Actual product may vary due to product enhancement.