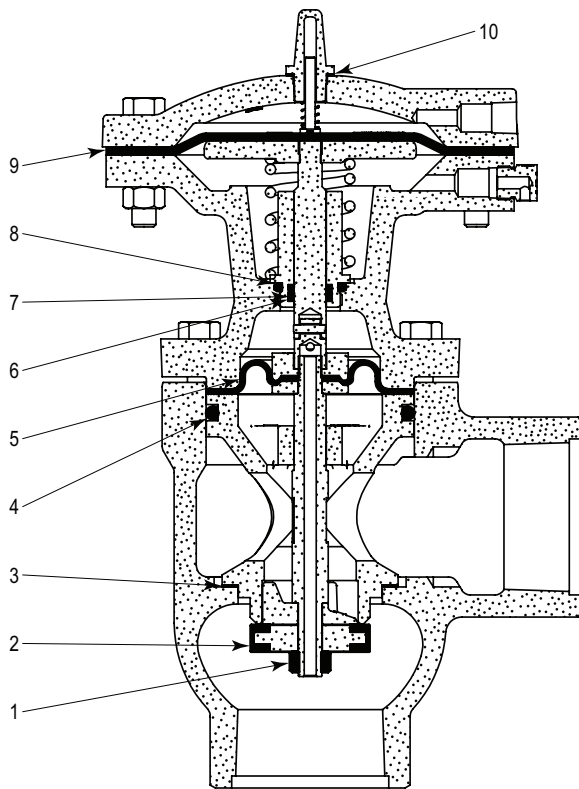
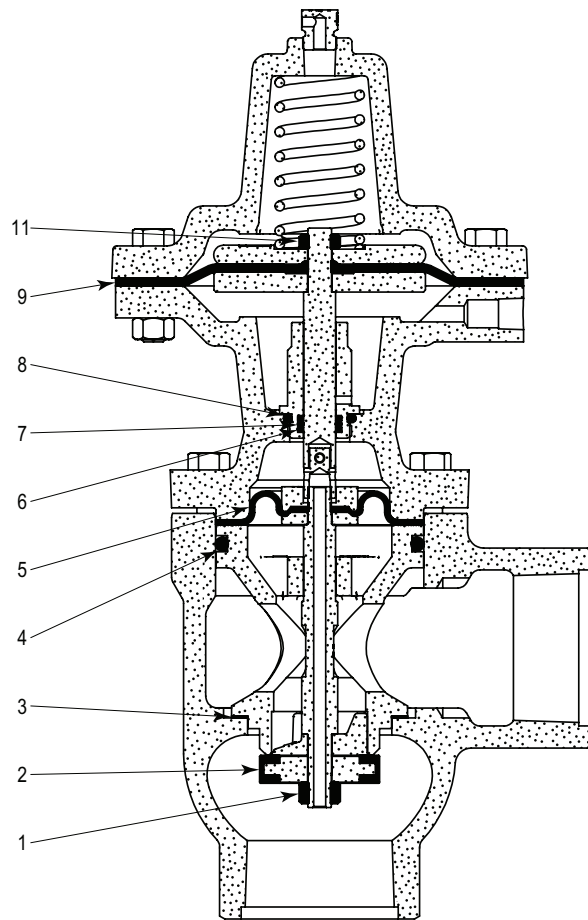


ITEM	QTY.	DESCRIPTION	FAIL CLOSE				FAIL OPEN			
			2 INCH	3 INCH	4 INCH	6 INCH	2 INCH	3 INCH	4 INCH	6 INCH
1	1	Lock Nut	173	906		175	173	906		175
2	1	Seat	7498	7499	165	2356	7498	7499	165	2356
3	1	Gasket	276	277	309	2354	276	277	309	2354
4	1	O-Ring	329	330	331	2353	329	330	331	2353
5	1	Diaphragm	335	336	4700	4315	335	336	4700	4315
6	2	Back Up	149T	150T		152T	149T	150T		152T
7	1	O-Ring	154	155		157	154	155		157
8	1	O-Ring	1107	639		4371	1107	639		4371
9	1	Diaphragm	6810	6811		5112	7053	743		6812
10	1	Gasket								
11	1	Lock nut					173	1478		----



FAIL CLOSE

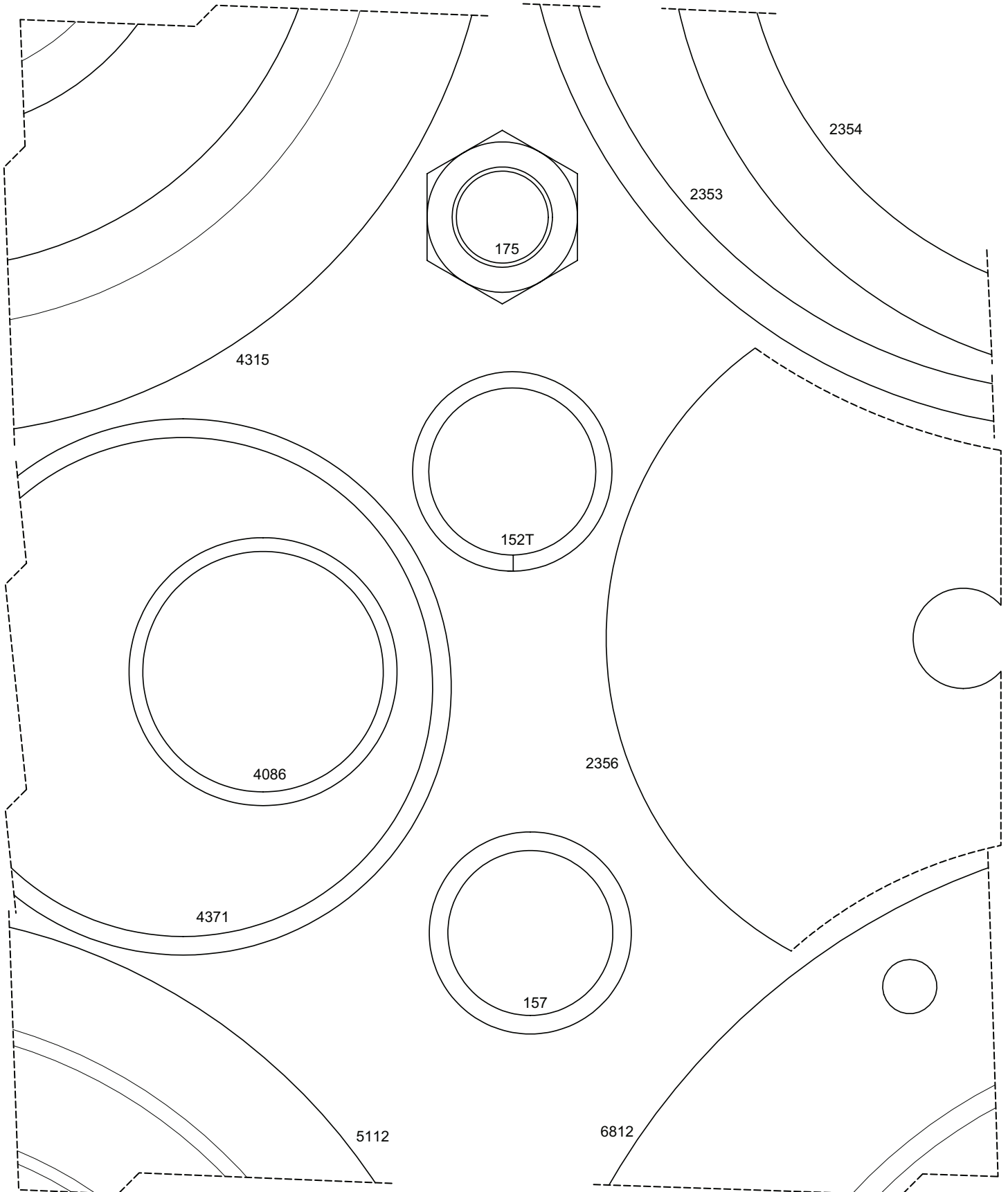


FAIL OPEN

LIQUID DUMP VALVES PNEUMATIC OPERATED



REPAIR KIT
6 INCH DIAPHRAGM BALANCED



All Pictures shown are for illustration purpose only. Actual product may vary due to product enhancement.