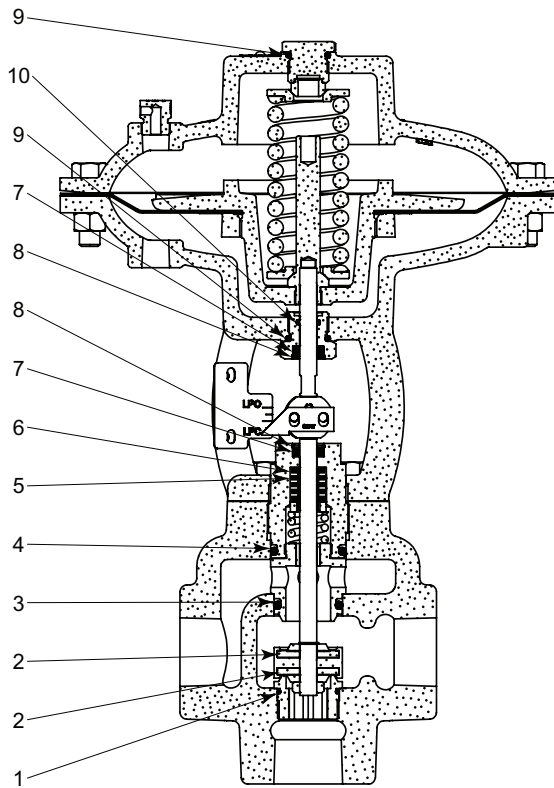
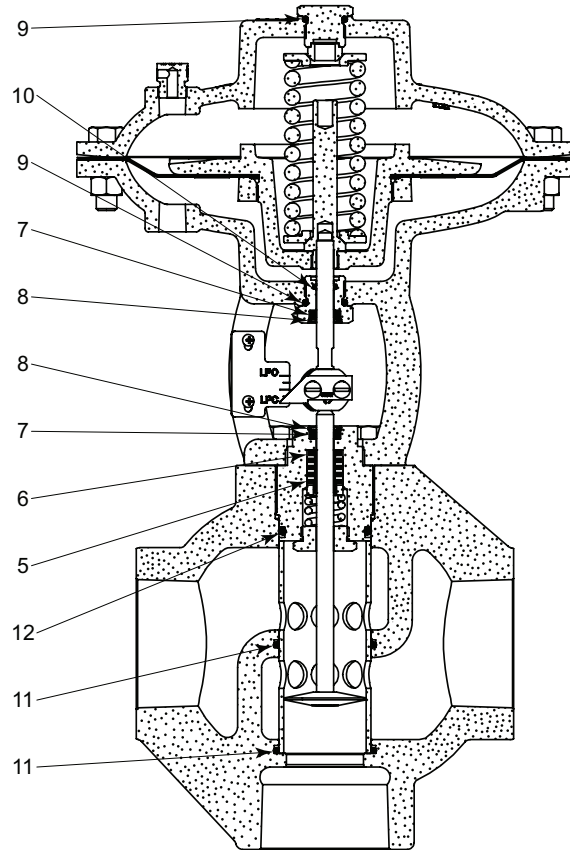


ITEM	QTY.	DESCRIPTION	1 INCH HPCV 3 WAY	2 INCH SPLITTER
1	1	O Ring	2131	----
2	2	Seat Disc	2129B	----
3	1	O Ring	156	----
4	1	O Ring	606	----
5	4	Packing Ring		484
6	1	Packing Sleeve		485
7	2	Felt Wiper		480
8	2	Snap Ring		938
9	2	O Ring		491
10	1	O Ring		153
11	2	O Ring	----	2937
12	1	O Ring	----	2936



3 WAY VALVE



SPLITTER VALVE

HIGH PRESSURE CONTROL VALVES



REPAIR KIT

1 INCH PRESSURE THREE WAY & 2 INCH SPLITTER VALVES

