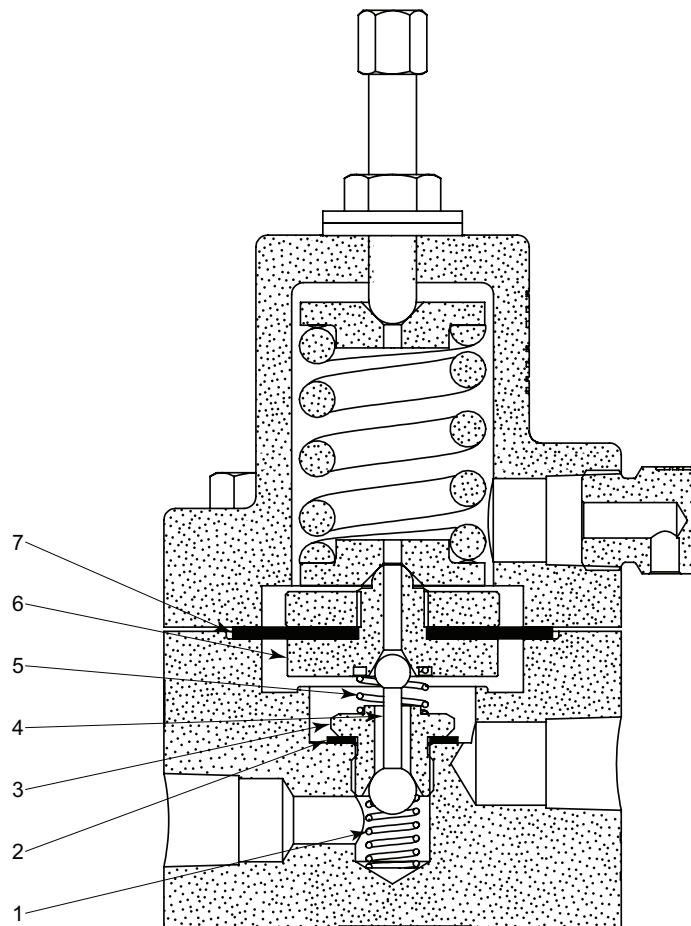


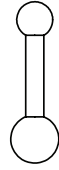
ITEM	QTY.	DESCRIPTION	PART NUMBER
1	1	Spring	585
2	1	Gasket	118
3	1	Lower Seat	565
4	1	Pilot Plug	112
5	1	Spring	566
6	1	Upper Seat	6497
7	1	Diaphragm	4648



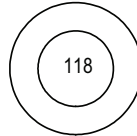
FLOAT OPERATED CONTROLLERS



REPAIR KIT
SENSE LINE PROTECTOR



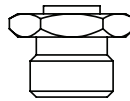
112



118



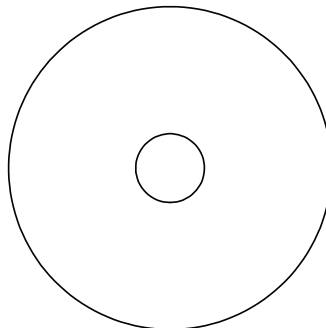
566



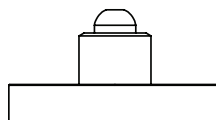
565



585



4648



6497

All Pictures shown are for illustration purpose only. Actual product may vary due to product enhancement.