

DIRECT ACTING OUNCES PRESSURE REDUCING

APPLICATIONS:

Used to produce a proportional pneumatic output signal when the monitored pressure rises above the set pressure. The Pneumatic signal source is isolated from the monitored pressure.

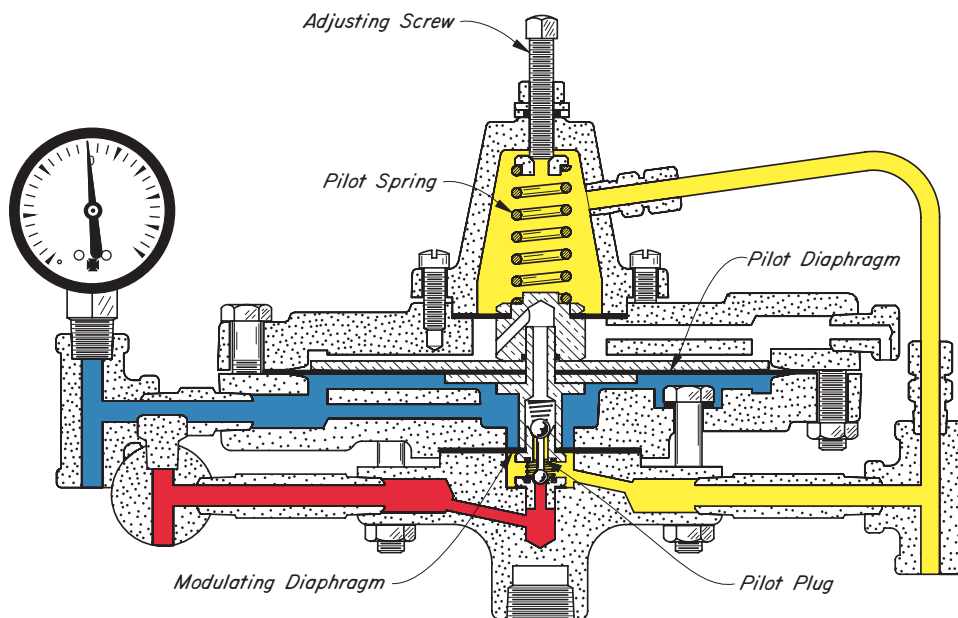
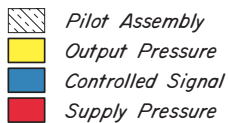
SUPPLY PRESSURE:

30 psig. Max.

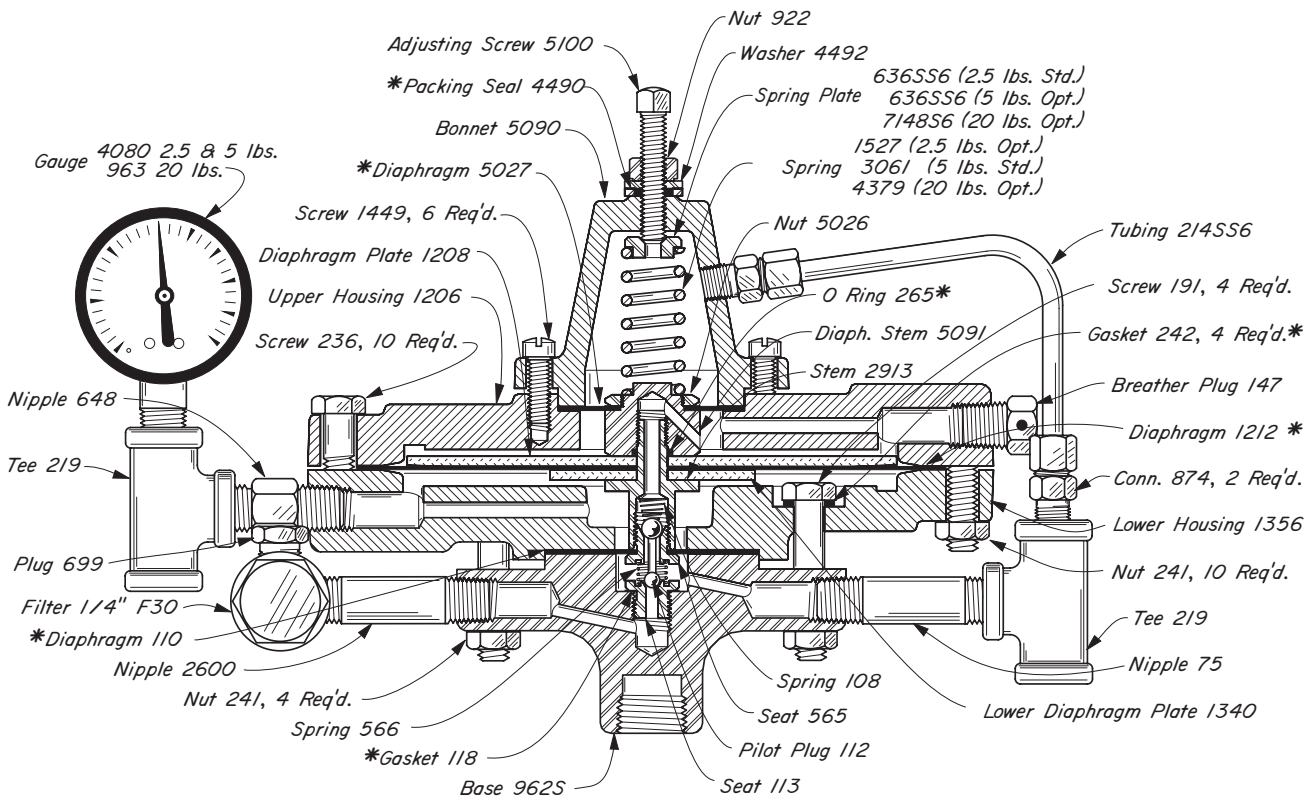
PRESSURE RANGE:

.5 ounces to 2.5 psig

Optional springs provide maximum setpoint of 5 psig or 20 psig



**DIRECT ACTING OUNCES PRESSURE REDUCING
DUCTILE IRON**



PILOTS AVAILABLE:

CAT. NO.	PILOTS	OPER. PRESS.	MAX W.P.	KIT
YIB2.5	0.2 PG OPRA DA	2.5	300	RWN
YIB5	0.5 PG OPRA DA	5	300	RWN
YIB20	2 PG OPRA DA	20	300	RWN

NOTES:

All openings are tapped 1/4" npt
 *These parts are recommended spare parts and are stocked as repair kits.