

APPLICATIONS:

As an adjustable, self-resetting, pressure limiting device to protect instrumentation from over pressurization and subsequent damage.

Designed to protect pilots on high pressure regulators. Blocks the sense line or supply pressure to a device when it exceeds the adjustable limit of 300 psig. Reopens when inlet pressure drops below the limit.




This device is not to be installed as a:
Instrument gas regulator
Pressure reducing regulator

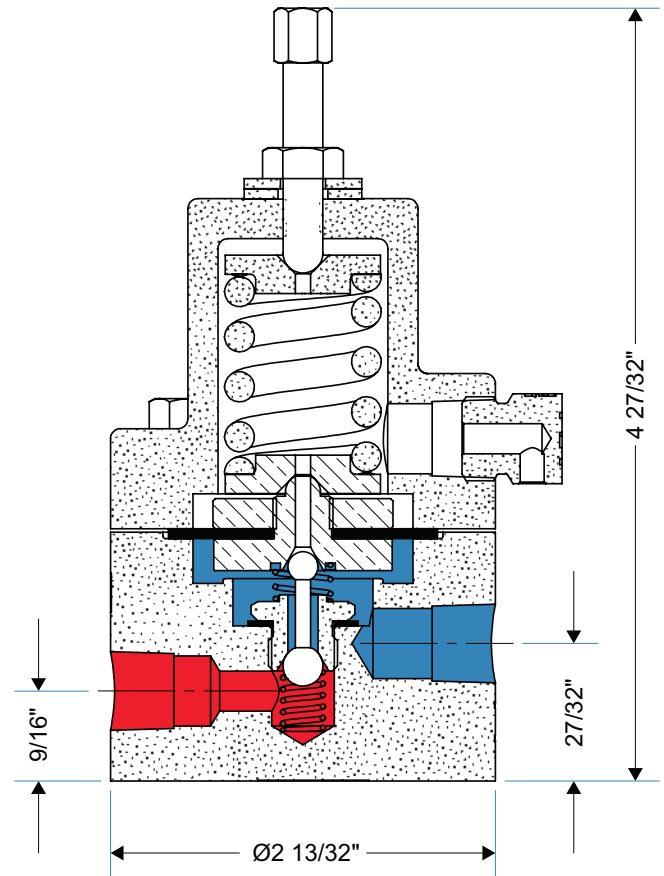
FEATURES:

Single Adjustment
Intermittent Vent Pilot
Remote Installation
Compact Design

CERTIFICATIONS:

NACE MR0175 compliant wetted parts
• Certification documents available upon request, specify when ordering
Kimray is an ISO 9001- certified manufacturer.

 Diaphragm Assembly
 Input Pressure
 Output Pressure



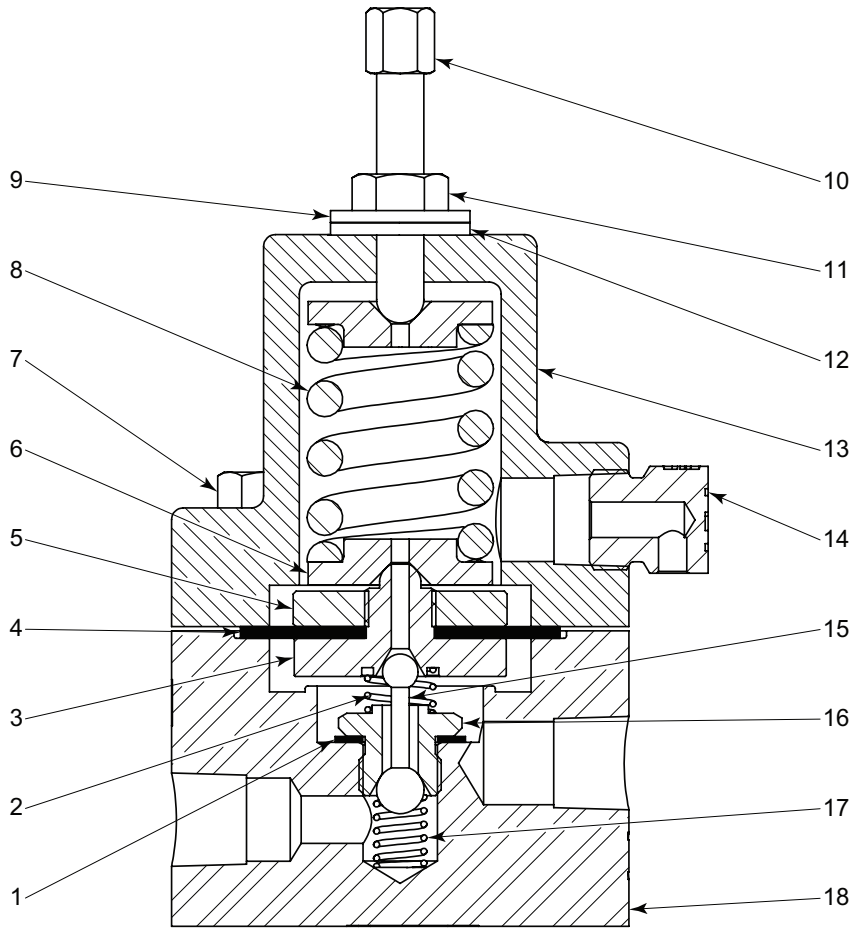
Order Code	Connection Type	Operating Temperature	Output Press psig	Max. W.P. psig †
YDM	1/4" FNPT	0°F to 200°F (-18°C to 93°C)	0-300	4000
YDMS6				
NOTES:				
† Max W.P. values based on -20°F to 100°F.				
For pressures above 300 psig contact your Kimray authorized distributor for information.				

All Pictures shown are for illustration purpose only. Actual product may vary due to product enhancement.

ACCESSORIES



SENSE LINE PROTECTOR DRAWING & PARTS LIST



ITEM	QTY.	DESCRIPTION	PART NO		ITEM	QTY.	DESCRIPTION	PART NO	
			STANDARD	CORROSIVE				STANDARD	CORROSIVE
1	1	Gasket *		118	10	1	Adjusting Screw		6976
2	1	Spring *		566	11	1	Nut	1676	1676SS6
3	1	Upper Seat *	6497	6497SS6	12	1	Packing Seal		4542
4	1	Diaphragm *	4648	4648AF	13	1	Bonnet		4525
5	1	Nut	3010	3010SS6	14	1	Breather Plug	147	147SS6
6	2	Spring Plate		4649	15	1	Pilot Plug *		112
7	4	Screw		3012	16	1	Lower Seat *	565	565SS6
8	1	Spring		4650	17	1	Spring *		585
9	1	Washer		4543	18	1	Base	6498	6498SS6
* These parts are recommended spare parts and are stocked as repair kits.							Repair Kit	RMV	RMVSS6

All Pictures shown are for illustration purpose only. Actual product may vary due to product enhancement.