

APPLICATION:

Direct firing of small steam generators by controlling flow of gas through the pilot to the burner. Approximate capacity of pilot is 360 SCFH with 15 psig supply pressure.

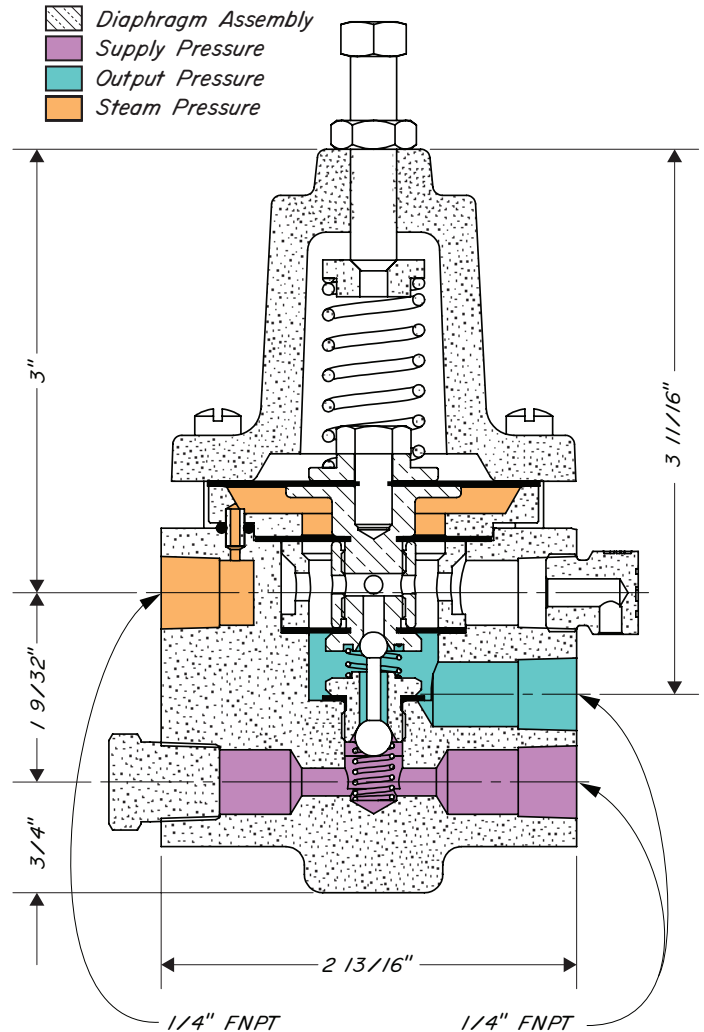
Pressure control of larger steam generators by regulating flow of gas through a control valve.

FEATURES:

- Intermittent vent pilot
- Reverse acting
- Throttle action
- Adjustable Steam Pressure

CLASSIFICATIONS:

- Non-Bleed / Intermittent Vent



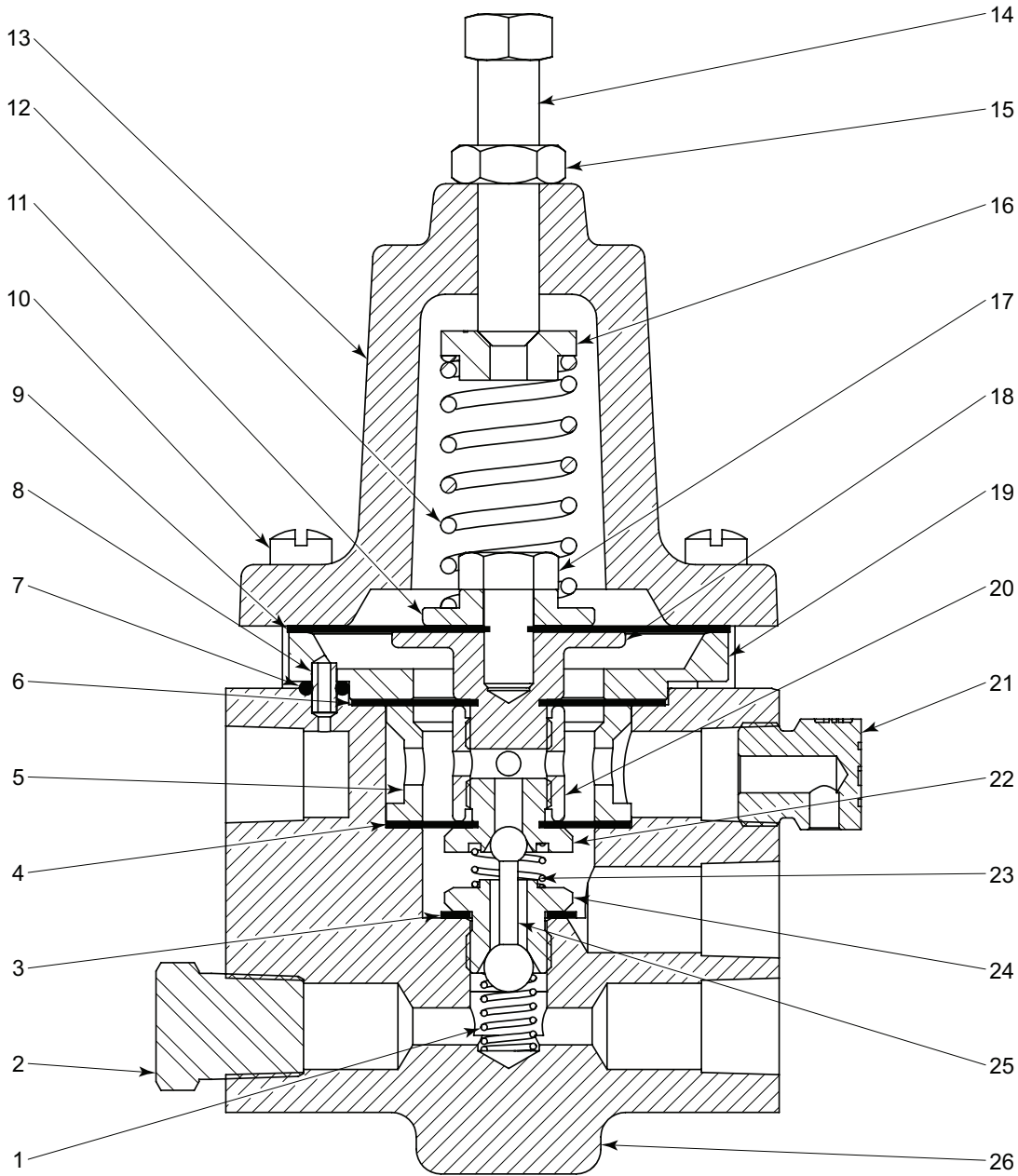
Standard Configuration Code †	Order Code	Max. Steam Press psig	Max. Steam Temp.	Supply Press psig	Output Press psig ††	Max. W.P. psig †††
PPT0D0S	YAA	15	250° F	5 - 30	0 - 20	30

NOTES:

- For standard & optional seals, metals, Cf Cv values, material specifications & dimensions see technical data on pages 09:I - 09:IV
- † For Corrosive service remove last "S" & replace with "C"
- † For code builder see page 09:00.4
- †† Adjustable Steam Pressure
- ††† Max W.P. values based on -20°F to 100°F.

All Pictures shown are for illustration purpose only. Actual product may vary due to product enhancement.

PRESSURESTAT
MODEL PT DRAWING & PARTS LIST



ITEM	QTY.	DESCRIPTION	PART NO		ITEM	QTY.	DESCRIPTION	PART NO	
			STANDARD	CORROSIVE				STANDARD	CORROSIVE
1	1	Spring *		585	14	1	Adjustment Screw		897
2	1	Plug	699	699SS6	15	1	Jamb Nut		922
3	1	Gasket *		118	16	1	Spring Plate		636SS6
4	1	Lower Diaphragm *		584HSN	17	1	Screw		898
5	1	Spool	580	580SS6	18	1	Lower Diaphragm Plate	857	857SS6
6	1	Diaphragm *		583HSN	19	1	Housing		947
7	1	O-Ring *		569HSN	20	1	Spacer	581	581SS6
8	1	Jumper Tube	895	895SS6	21	1	Breather Plug	147	147SS6
9	1	Upper Diaphragm *		896HSN	22	1	Seat *	113	113SS6
10	6	Screw		573	23	1	Spring *	566	566HAC
11	1	Upper Diaphragm Plate		893	24	1	Seat *	565	565SS6
12	1	Standard Heavy Spring		692	25	1	Pilot Plug *		112
		Optional Light Spring		86	26	1	Body		894
13	1	Bonnet		856	Repair Kit				RXY

* These parts are recommended spare parts and are stocked as repair kits.

All Pictures shown are for illustration purpose only. Actual product may vary due to product enhancement.

CODE BUILDER
P SERIES (RELAYS)

Series:

P = Pilots & Relays

Model:

VL = 30 Volume Booster
VH = 300 Volume Booster
BR = Bistable Relay
PT = Pressurestat

Action

0 = N/A (VH, BR, PT only)
S = Snap (VL only)
T = Throttle (VL only)
M = Manual Reset (VL only)

Shell Material:

D = Ductile Iron
C = 316SS (C service type only)

Control Range:

0 = N/A

Service Type:

S = Standard
C = Corrosive (C shell material only)

P	VL	S	D	0	S	
---	----	---	---	---	---	--

Options: Additional cost and lead times will apply
If multiple options required input in sequential order
Leave blank if no options required

1 = NACE Certification (Corrosive Option Only)
V = FKM Elastomer

Not all selections available on all products listed.
See product pages 01:40.1 - 01:70.2 for available options