

#### APPLICATIONS:

For temperature controlled system shutdown until manually reset.

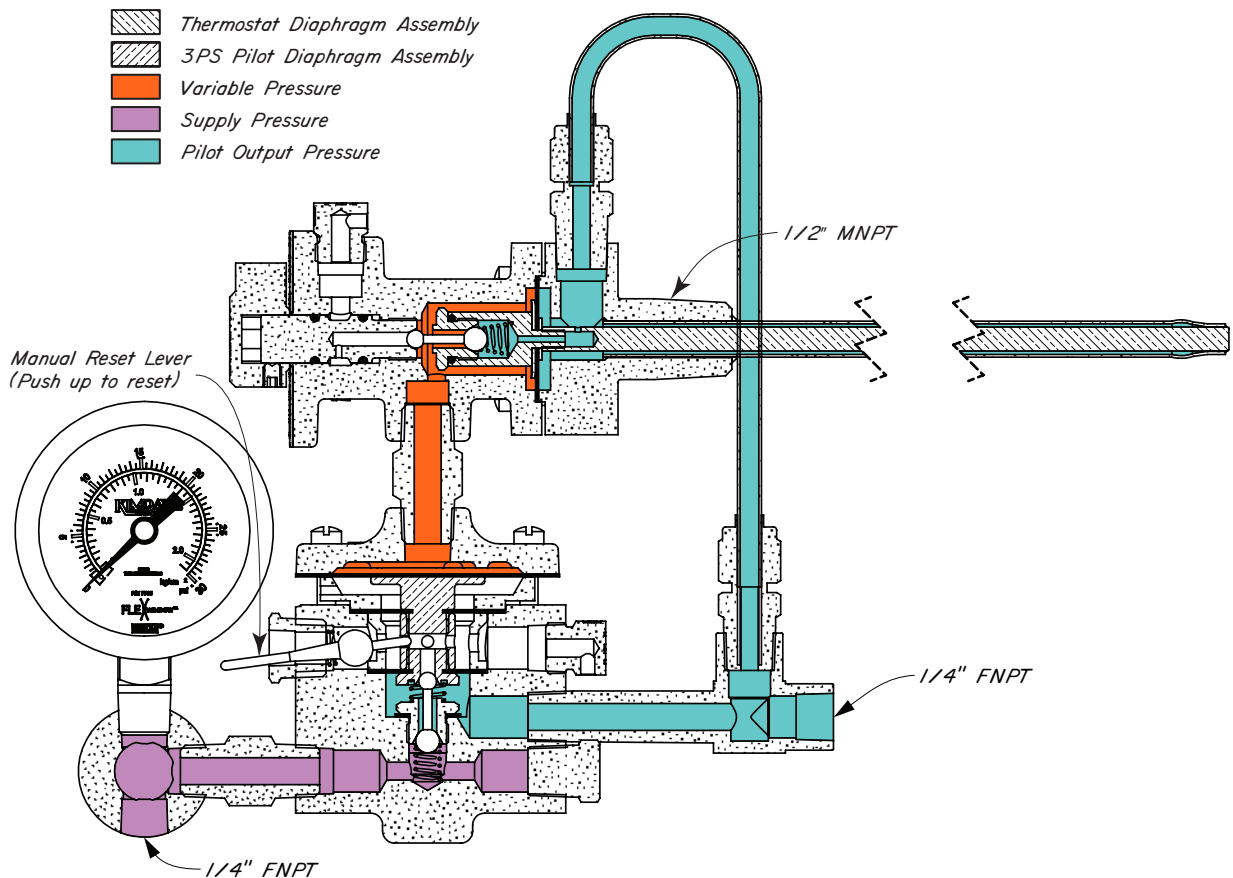
#### FEATURES:

Indirect: Pilot Output Pressure (Yellow) decreases with temperature rise.

#### CERTIFICATIONS:

Canadian Registration Number (CRN):  
0H08105.2

Kimray is an ISO 9001- certified manufacturer.



| Standard †<br>Configuration Code | Order<br>Code | Supply<br>Pressure            | Response<br>Range | Temperature<br>Range | Max. W.P. ††<br>(sensing element) |
|----------------------------------|---------------|-------------------------------|-------------------|----------------------|-----------------------------------|
| TSDS                             | HAM           | 5 - 30 psig                   | 3°F               | -30°F to 400°F       | 500 psig                          |
|                                  |               | .35 - 2.11 kg/cm <sup>2</sup> | 1.7°C             | -34°C to 204°C       | 35.15 kg/cm <sup>2</sup>          |

#### NOTES:

For standard & optional seals, metals, material specifications & dimensions see technical data on pages 07:1 - 07:11

† For code builder see page 07:00.2

†† Working Pressure (sensing element) with Separable Socket:  
4000 psig max. / 281.23 kg/cm<sup>2</sup> max.

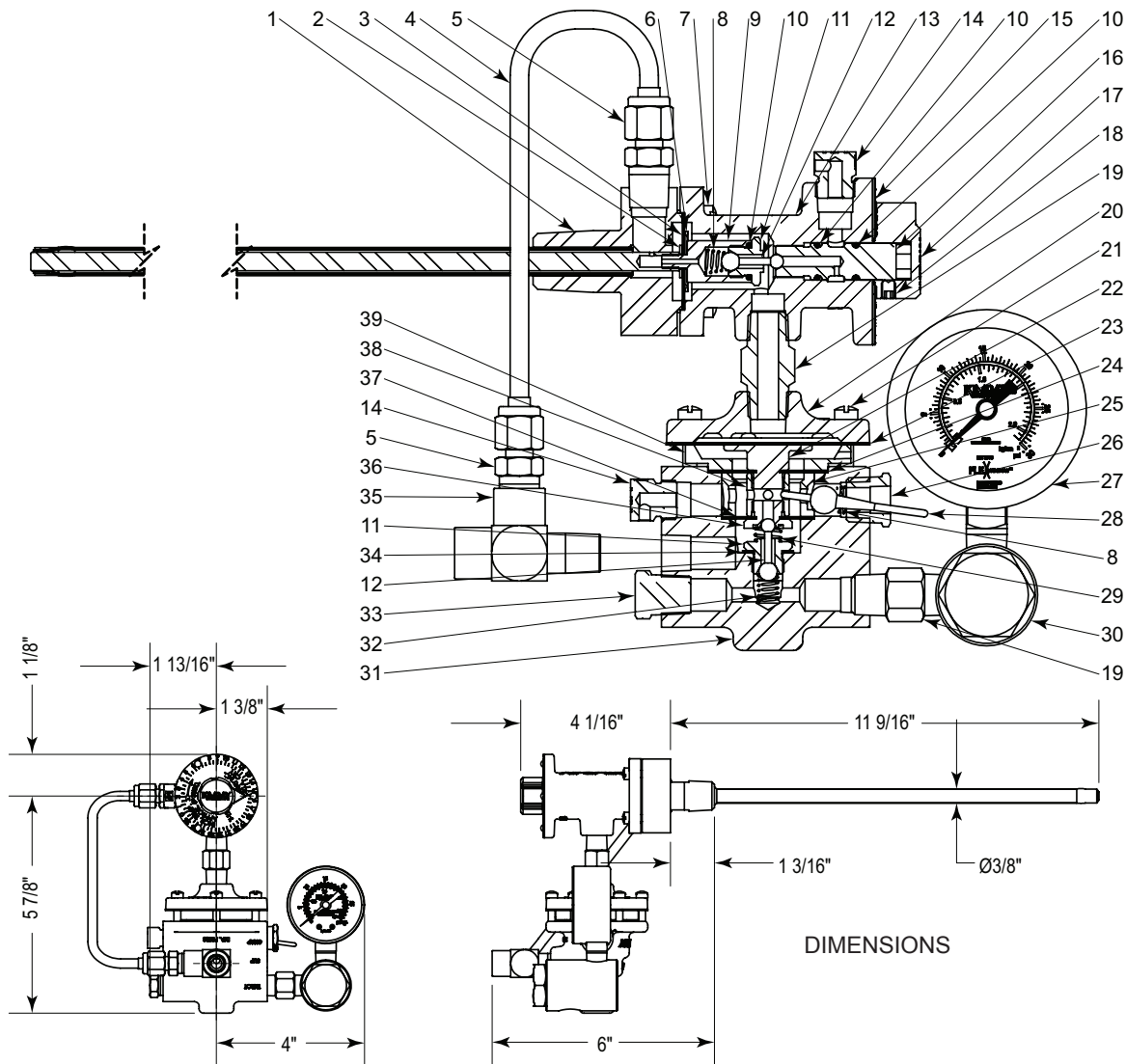
Separable Socket is an extra price item and must be ordered separately, if desired.

To order Separable Sockets refer to Table of Contents

# TEMPERATURE CONTROLLERS



## INDIRECT HIGH TEMPERATURE SHUT-DOWN MODEL SD



| ITEM | QTY. | DESCRIPTION             | PART NO. |
|------|------|-------------------------|----------|
| 1    | 1    | Base                    | 1627     |
| 2    | 1    | Lower Diaphragm Plate * | 763      |
| 3    | 1    | Diaphragm *             | 601HSN   |
| 4    | 1    | Tubing                  | 7562S6   |
| 5    | 2    | Connector               | 874      |
| 6    | 1    | Upper Diaphragm Plate * | 597      |
| 7    | 4    | Screw                   | 693      |
| 8    | 2    | Spring *                | 108      |
| 9    | 1    | Housing                 | 595      |
| 10   | 3    | O-Ring *                | 265HSN   |
| 11   | 2    | Seat *                  | 565      |
| 12   | 2    | Pilot Plug *            | 112      |
| 13   | 1    | Bonnet                  | 2728     |
| 14   | 2    | Vent Plug               | 147      |
| 15   | 1    | Dial                    | 1743     |
| 16   | 1    | Seat                    | 1621     |
| 17   | 1    | Pointer Knob            | 600SS6   |
| 18   | 1    | Set Screw               | 264      |
| 19   | 2    | Nipple                  | 648      |
| 20   | 1    | Pilot Cover             | 577      |
| 21   | 6    | Screw                   | 573      |

| ITEM  | QTY. | DESCRIPTION             | PART NO. |
|---|------|-------------------------|----------|
| 22  | 1    | Diaphragm plate         | 579      |
| 23  | 1    | Diaphragm *             | 582HSN   |
| 24  | 1    | Upper Diaphragm *       | 583HSN   |
| 25  | 1    | Spacer Spool            | 580      |
| 26  | 1    | Bushing                 | 539      |
| 27  | 1    | Gauge                   | 7705     |
| 28  | 1    | Reset Lever             | 1396     |
| 29  | 1    | Spring *                | 566      |
| 30  | 1    | Filter                  | YAS      |
| 31  | 1    | Pilot Body              | 587      |
| 32  | 1    | Spring *                | 585      |
| 33  | 1    | Plug *                  | 699      |
| 34  | 1    | Gasket *                | 118      |
| 35  | 1    | Tee                     | 6881     |
| 36  | 1    | Seat *                  | 113      |
| 37  | 1    | Lower Diaphragm *       | 584HSN   |
| 38  | 1    | Spacer                  | 581      |
| 39  | 1    | Lower Diaphragm Housing | 578      |
| Repair Kits   |      |                         | RXZ      |
| * These parts are recommended spare parts and are stocked as repair kits. |      |                         |          |

All Pictures shown are for illustration purpose only. Actual product may vary due to product enhancement.

# TEMPERATURE CONTROLLERS



## CODE BUILDER T SERIES

Series:

T = Temperature Controllers

Model:

12 = -30°F to 400°F Thermostat  
HT = -30°F to 750°F Thermostat  
PG = Pilot Guard  
SD = Shut Down with Manual Reset

Service Type:

S = Standard

|   |    |   |  |
|---|----|---|--|
| T | 12 | S |  |
|---|----|---|--|

Options: Additional cost and lead times will apply  
If multiple options required input in sequential order  
Leave blank if no options required

V = FKM Elastomers

Not all selections available on all products listed.  
See product pages 07:10.1 - 07:40.2 for available options