

#### APPLICATIONS:

Used as a Pilot safety shutdown or as a high stack temperature shutdown.

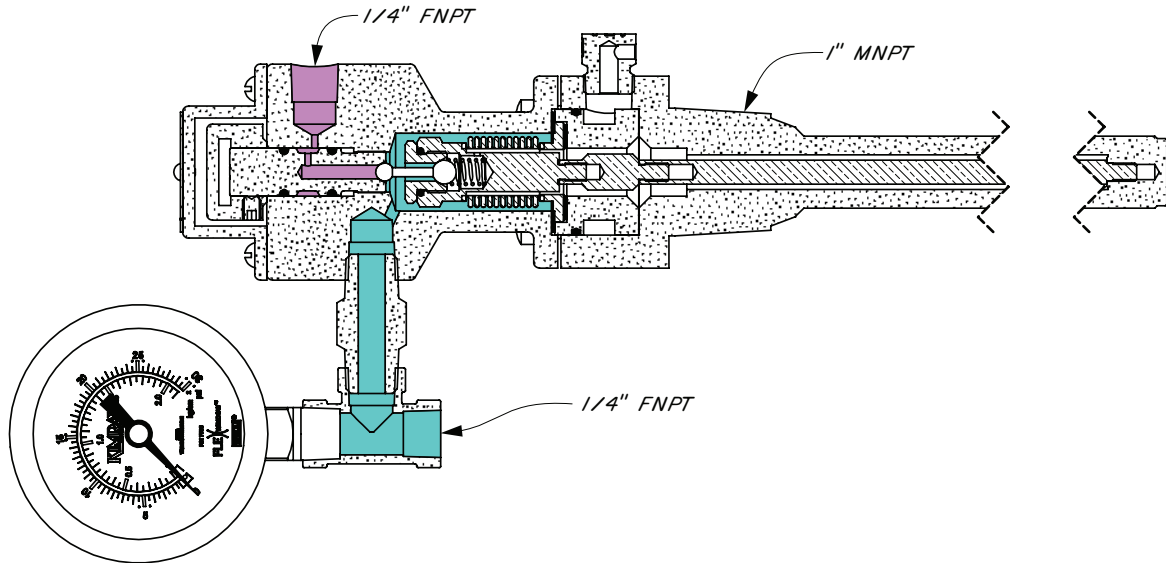
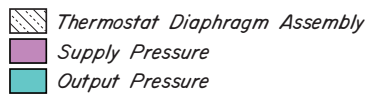
#### FEATURES:

Direct action; Pilot Output Pressure (Yellow) increases with temperature rise. As long as the temperature is above the set point, the output will remain at supply pressure. If the pilot flame goes out, the pressure decreases and drops to zero.

#### CERTIFICATIONS:

Canadian Registration Number (CRN):  
0H08105.2

Kimray is an ISO 9001- certified manufacturer.



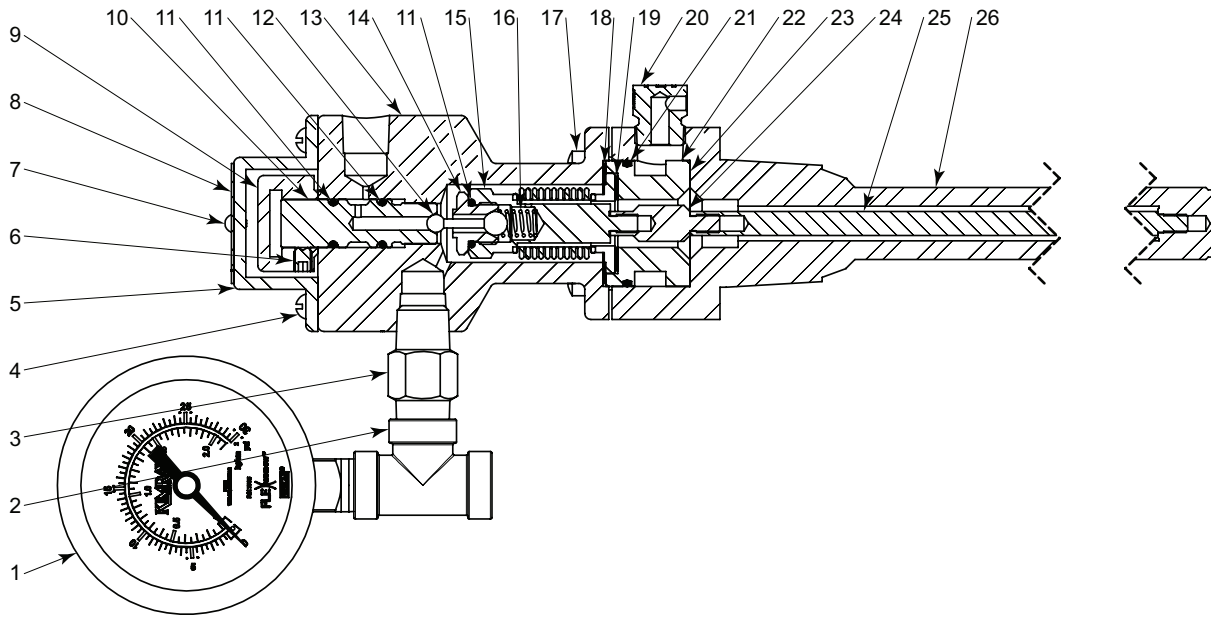
Standard † Configuration Code	Order Code	Supply Pressure	Temperature Range
TPGS	HBT	5 - 30 psig	-30°F to 2100°F
		.35 - 2.11 kg/cm <sup>2</sup>	-34°C to 1149°C
<b>NOTES:</b>			
For standard & optional seals, metals, material specifications & dimensions see technical data on pages 07:1 - 07:11			
† For code builder see page 07:00.2			

All Pictures shown are for illustration purpose only. Actual product may vary due to product enhancement.

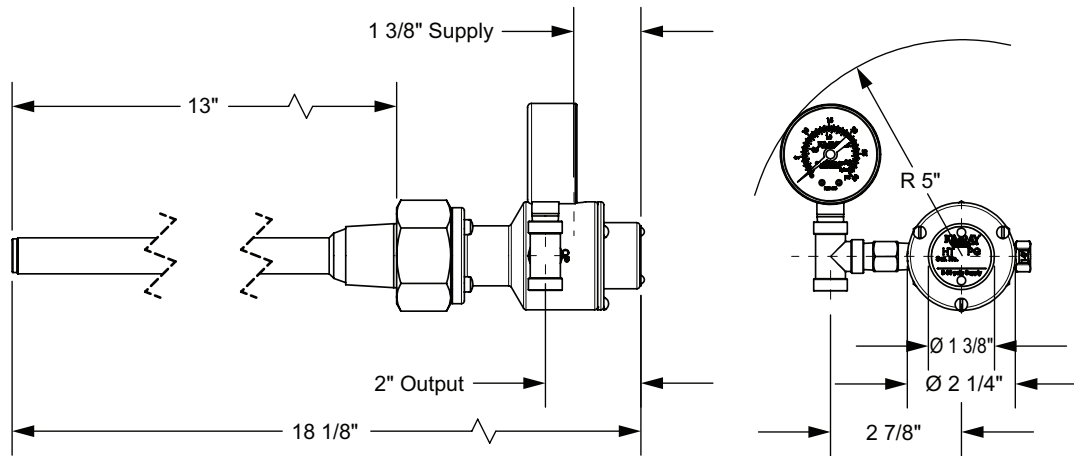
# TEMPERATURE CONTROLLERS



## HIGH TEMPERATURE PILOT GUARD MODEL PG



### DIMENSIONS



ITEM	QTY.	DESCRIPTION	PART NO.
1	1	Gauge	7705
2	1	Tee	219
3	1	Nipple	648
4	3	Screw	1085
5	1	Cap	2921
6	1	Set Screw	264
7	2	Drive Screw	602
8	1	Name Plate	2920
9	1	Adjusting Knob	2919
10	1	Adjustable Seat	1621
11	3	O-Ring	* 265HSN
12	1	Pilot Plug	* 112
13	1	Bonnet	2922
14	1	Seat	* 565

ITEM	QTY.	DESCRIPTION	PART NO.
15	1	Bellows Assembly	1620
16	1	Spring	* 585
17	4	Screw	693
18	1	Gasket	* 1623
19	1	Gasket	* 1624
20	1	Vent Plug	147
21	1	O-Ring	* 4638HSN
22	1	Spool	4478
23	1	Metal Diaphragm	4422
24	1	Sensing Rod Extension	4481
25	1	Sensing Rod	4479
26	1	Base Assembly	4485
Repair Kit			RXX
* These parts are recommended spare parts and are stocked as repair kits.			

All Pictures shown are for illustration purpose only. Actual product may vary due to product enhancement.

# TEMPERATURE CONTROLLERS



## CODE BUILDER T SERIES

Series:

T = Temperature Controllers

Model:

12 = -30°F to 400°F Thermostat

HT = -30°F to 750°F Thermostat

PG = Pilot Guard

SD = Shut Down with Manual Reset

Service Type:

S = Standard

T	12	S	
---	----	---	--

Options: Additional cost and lead times will apply  
If multiple options required input in sequential order  
Leave blank if no options required

V = FKM Elastomers

Not all selections available on all products listed.  
See product pages 07:10.1 - 07:40.2 for available options