

APPLICATIONS:

Used to control a set temperature in indirect heaters, emulsion treaters, reboilers, steam generators, heat exchangers, cooler shutter controls, and salt bath heaters.

FEATURES:

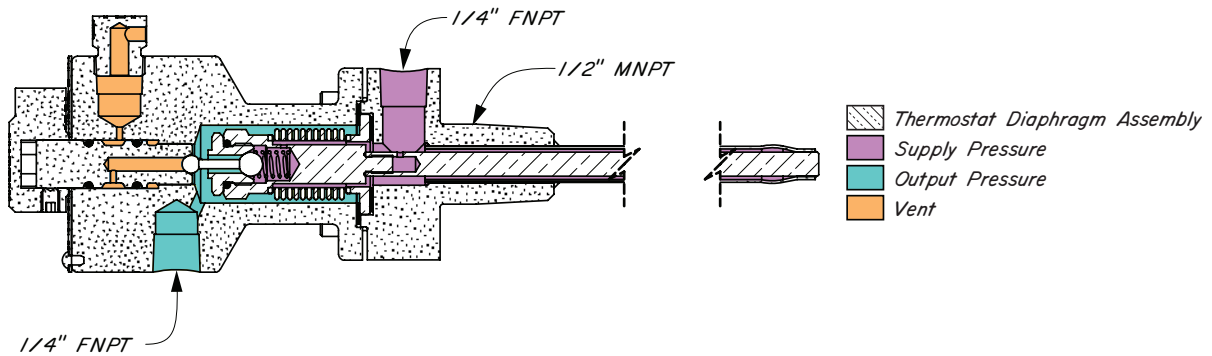
Modulated (throttling) signal output. Can be direct or indirect signal output based on how it is installed. Field Reversible:

- Indirect: Pilot Output Pressure (Yellow) decreases with temperature rise.
- Direct: Pilot Output Pressure (Yellow) increases with temperature rise.

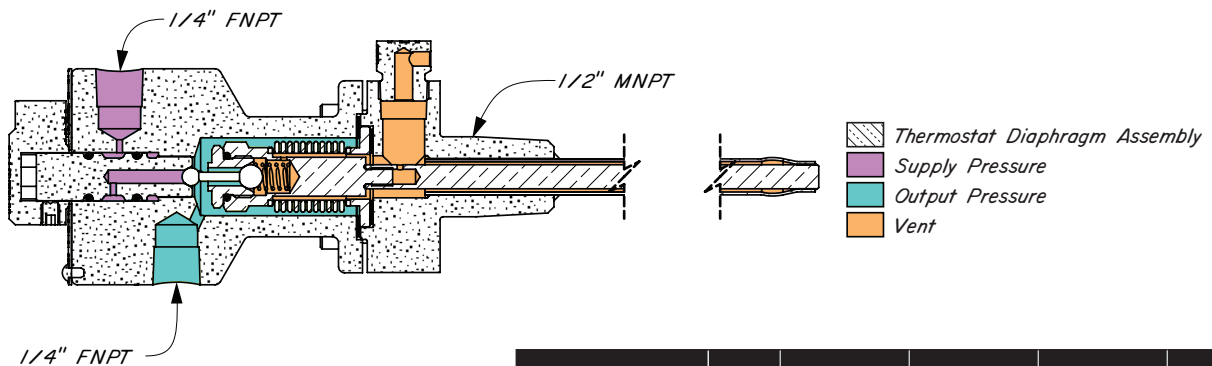
CERTIFICATIONS:

Canadian Registration Number (CRN):
0H08105.2
Kimray is an ISO 9001- certified manufacturer.

INDIRECT ACTION



DIRECT ACTION



Standard † Configuration Code	Order Code	Supply Pressure	Response Range	Temperature Range	Max. W.P. †† (sensing element)
THTS	HBA	5 - 30 psig .35 - 2.11 kg/cm ²	2.50 psig/°F .31 kg/cm ² /C°	-30°F to 750°F -34°C to 399°C	500 psig 35.15 kg/cm ²

NOTES:

For standard & optional seals, metals, material specifications & dimensions see technical data on pages 07:1 - 07:11

† For code builder see page 07:00.2

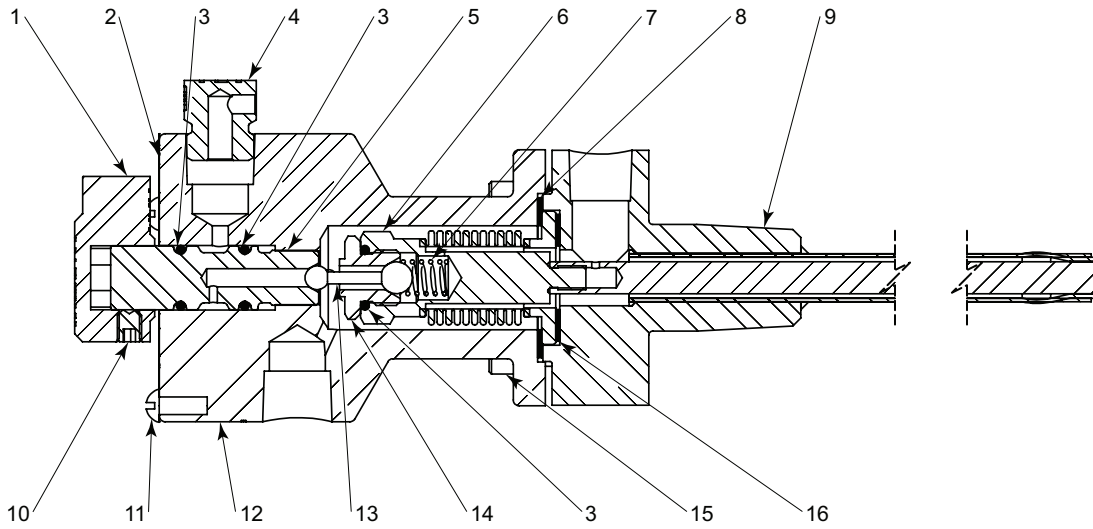
†† Working Pressure (sensing element) with Separable Socket:
4000 psig max. / 281.23 kg/cm² max.

Separable Socket is an extra price item and must be ordered separately, if desired.

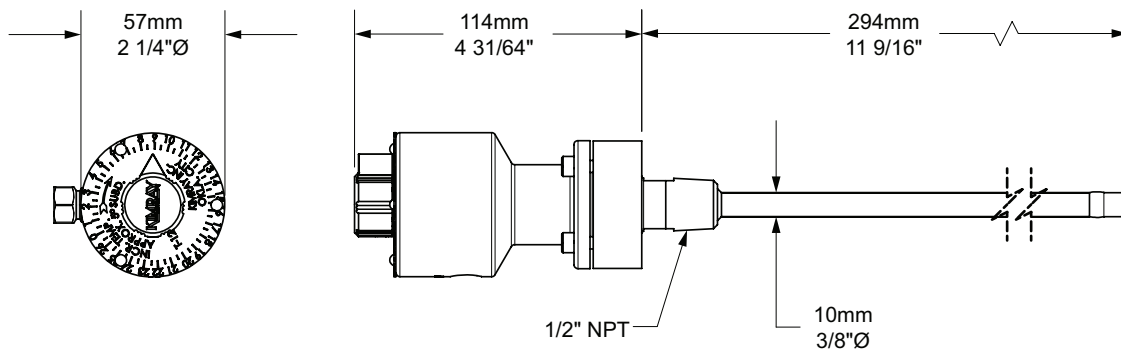
To order Separable Sockets refer to Table of Contents

TEMPERATURE CONTROLLERS

-30°F to 750°F THERMOSTAT
MODEL HT



DIMENSIONS



ITEM	QTY.	DESCRIPTION	PART NO.
1	1	Pointer Knob	600SS6
2	1	Dial	1622
3	3	O-Ring *	265HSN
4	1	Vent Plug	147
5	1	Seat	1621
6	1	Bellows Assembly	1620
7	1	Spring *	585
8	1	Gasket *	1623
9	1	Base	1627
10	1	Set Screw	264
11	3	Screw	1085
12	1	Bonnet	2922
13	1	Pilot Plug *	112
14	1	Seat *	565
15	4	Screw	693
16	1	Gasket *	1624
Repair Kit			RXX
* These parts are recommended spare parts and are stocked as repair kits.			

All Pictures shown are for illustration purpose only. Actual product may vary due to product enhancement.

TEMPERATURE CONTROLLERS



CODE BUILDER T SERIES

Series:

T = Temperature Controllers

Model:

12 = -30°F to 400°F Thermostat

HT = -30°F to 750°F Thermostat

PG = Pilot Guard

SD = Shut Down with Manual Reset

Service Type:

S = Standard

T	12	S	
---	----	---	--

Options: Additional cost and lead times will apply
If multiple options required input in sequential order
Leave blank if no options required

V = FKM Elastomers

Not all selections available on all products listed.
See product pages 07:10.1 - 07:40.2 for available options