

APPLICATIONS:

- Used on 2" HPCV's.
- For closing valves manually when there is pressure on the diaphragm.
- For limiting valve stem travel in the opened or closed direction.

FEATURES:

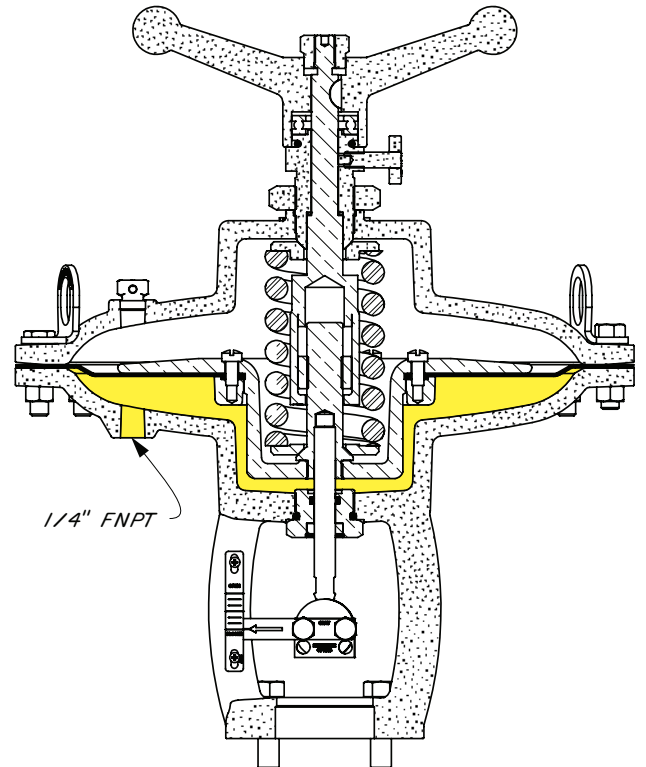
- Compact design
- Valve travel indicator
- Adjustable topworks
- Sealed bearings

TOPWORKS:

- MVP's are furnished with a spring designed for 30 psig diaphragm pressure.

CERTIFICATIONS:

Kimray is an ISO 9001- certified manufacturer.



Order Code †	Body Size	Control Range psig	Output Press psig	Max. W.P. psig †
EBX	2 inch	6 - 30	45	45

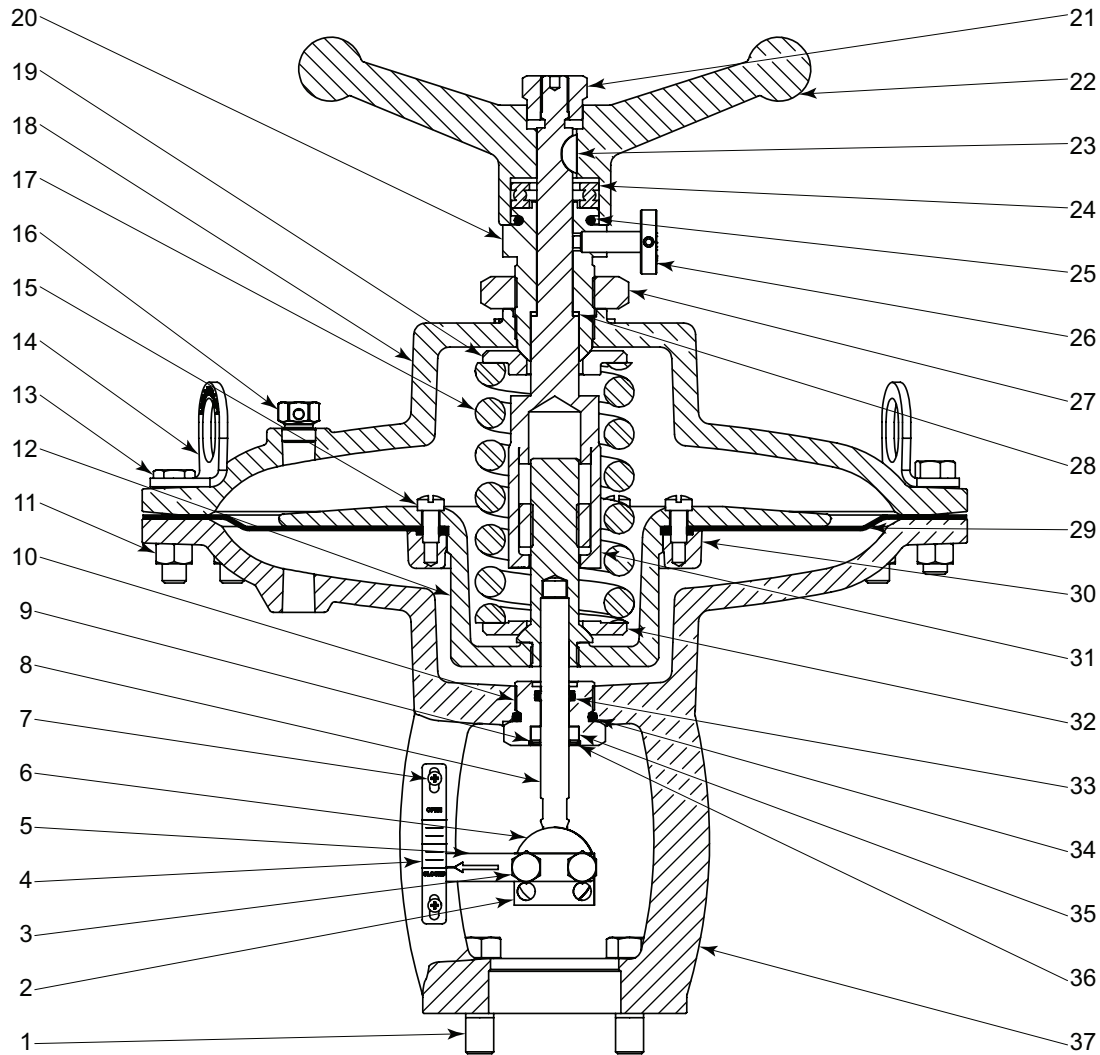
NOTES:

For standard & optional seals, metals, Cf Cv values, material specifications & dimensions see technical data on pages 01:I - 01:X1

†† Max W.P. values based on -20°F to 100°F.

MANUAL VALVE POSITIONER

MANUAL VALVE POSITIONER SERIES PARTS DRAWING



ITEM	QTY.	DESCRIPTION	PART NO.
			2 INCH
1	4	Bolt	524
2	1	Tag	677
3	2	Screw	512
4	1	Indicator Scale	536
5	1	Travel Indicator	535
6	1	Coupling Block	511
7	2	Screw	7534
8	1	Stem	522
9	1	Retainer	528
10	1	Lower Adjusting Screw	503
11	16	Nut	241
12	1	Diaphragm Plate	2909
13	16	Bolt	430
14	2	Lifting Ring	7559
15	6	Screw	523
16	1	Breather Plug	147
17	1	Spring	508
18	1	Bonnet	506
19	1	Spring Plate	507

ITEM	QTY.	DESCRIPTION	PART NO.
			2 INCH
20	1	Adjusting Screw	1839
21	1	Lock Nut	1838
22	1	Handle	1835
23	1	Key	1845
24	1	Thrust Bearing	1843
25	1	O-Ring	* 156
26	1	Lock Screw w/Nylon Seat	1844
27	1	Lock Nut	1841
28	1	Thrust Washer	* 1846
29	1	Diaphragm	6779
30	1	Ring	521
31	1	Position Shaft Assembly	1842
32	1	Spring Plate	2173
33	1	O-Ring	* 530
34	1	O-Ring	* 537
35	1	Wiper	* 527
36	1	Snap Ring	* 940
37	1	Yoke	505
Repair Kits			RFH

All Pictures shown are for illustration purpose only. Actual product may vary due to product enhancement.

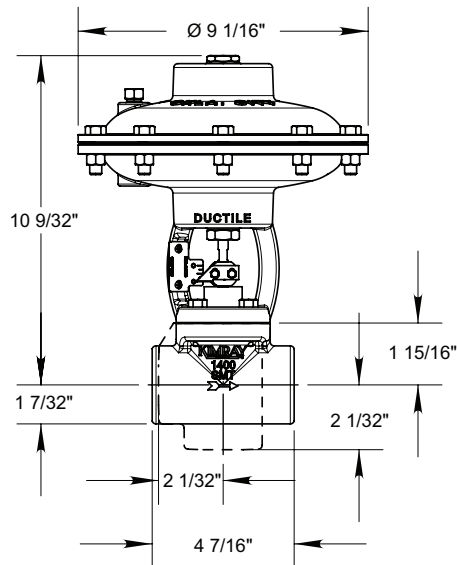
Table 1 - Flow Coefficient(Cv)														
Line Size	Trim Size in. (mm)	Trim Type	Cf	Valve Opening Percentage										
				10	20	30	40	50	60	70	80	90	100	
Stem Guided														
1"	1/8 in (3.17 mm)	Linear (Nominal)	0.58	0.10	0.40	0.50	0.70	0.90	1.00	1.00	1.00	1.10	1.10	
	3/16 in (4.74 mm)		0.59	0.20	0.50	0.77	1.00	1.30	1.40	1.50	1.50	1.50	1.50	
	1/4 in (6.35 mm)		0.78	0.28	0.72	1.11	1.50	1.80	1.95	2.08	2.13	2.15	2.17	
	3/8 in (9.52 mm)		0.91	0.40	1.10	1.60	2.20	2.70	2.90	3.10	3.20	3.20	3.20	
	1/2 in (12.7 mm)		0.94	0.70	1.90	2.90	4.00	4.80	5.20	5.50	5.60	5.70	5.70	
2"	1/4 in (6.35 mm)		0.55	0.40	1.00	1.50	2.00	2.50	2.70	2.80	2.90	2.90	3.00	
	3/8 in (9.52 mm)		0.77	0.53	1.33	2.06	2.80	3.40	3.60	3.90	4.00	4.00	4.00	
	1/2 in (12.7 mm)		0.78	0.94	2.38	3.67	4.97	5.98	6.48	6.91	7.06	7.13	7.20	
	3/4 in (19.0 mm)		0.80	1.60	4.00	6.20	8.40	10.10	11.00	12.00	12.00	12.00	12.00	
	1 in (25.4 mm)		0.77	2.80	7.00	11.00	15.00	18.00	19.00	20.00	21.00	21.00	21.00	
1"	1/8 in (3.17 mm)		Quick Opening (Carbide)	0.73	0.39	0.40	0.40	0.40	0.40	0.40	0.40	0.40	0.40	0.40
	3/16 in (4.74 mm)			0.74	0.77	0.90	0.92	0.92	0.92	0.92	0.92	0.92	0.92	0.92
	1/4 in (6.35 mm)			0.68	0.88	1.51	1.67	1.71	1.73	1.73	1.74	1.74	1.74	1.74
	3/8 in (9.52 mm)	0.74		1.02	2.40	3.36	3.64	3.73	3.78	3.82	3.83	3.83	3.86	
	1/2 in (12.7 mm)	0.90		1.09	2.46	4.17	5.03	5.27	5.45	5.60	5.72	5.85	5.93	
2"	1/4 in (6.35 mm)	0.65		1.23	1.82	1.87	1.87	1.87	1.87	1.87	1.87	1.87	1.87	
	3/8 in (9.52 mm)	0.76		1.65	3.41	3.77	3.83	3.84	3.84	3.84	3.84	3.84	3.84	
	1/2 in (12.7 mm)	0.80		2.26	4.35	5.87	6.36	6.51	6.58	6.61	6.63	6.63	6.63	
	3/4 in (19.0 mm)	0.78		2.16	4.61	7.23	9.19	10.2	10.6	10.9	10.9	10.9	10.9	
	1 in (25.4 mm)	0.70		2.54	5.58	9.30	12.3	14.2	15.1	15.5	15.6	15.6	15.8	
1"	1/8 in (3.17 mm)	Equal Percentage		0.73	0.01	0.02	0.03	0.04	0.06	0.09	0.15	0.26	0.32	0.34
	1/4 in (6.35 mm)			0.66	0.05	0.10	0.14	0.19	0.29	0.58	0.93	1.27	1.63	1.99
	1/2 in (12.7 mm)			0.78	0.16	0.32	0.47	0.60	0.93	1.74	2.99	4.41	5.65	6.49
2"	1/4 in (6.35 mm)		0.65	0.10	0.14	0.19	0.23	0.27	0.55	0.82	1.12	1.62	1.72	
	7/16 in (11.1 mm)		0.60	0.10	0.30	0.50	0.70	1.00	1.50	2.60	3.80	4.80	5.40	
	5/8 in (15.8 mm)		0.58	0.30	0.50	0.90	1.10	1.40	2.30	3.90	6.40	8.70	10.80	
	7/8 in (22.2 mm)		0.66	0.40	0.90	1.57	2.10	3.00	4.20	6.30	9.60	13.00	17.00	
Cage Guided														
2"	1 1/2 in (38mm)		Equal Percentage	0.75	0.60	1.30	2.20	3.40	5.00	8.60	14.0	21.0	26.0	28.6
	2 in (51 mm)	0.76		2.00	4.00	6.00	8.00	11.0	20.0	33.0	45.0	51.0	57.0	
3"	2 in (51 mm)	0.75		2.90	4.90	7.40	9.50	12.0	17.4	28.9	40.8	48.1	52.6	
	3 in (76 mm)	0.76		4.00	6.00	10.0	13.0	16.0	26.0	54.0	83.0	97.0	107	
4"	3 in (76 mm)	0.75		4.00	6.00	9.00	12.0	16.0	25.0	52.0	81.0	95.0	115	
	4 in (102 mm)	0.75		9.00	13.0	18.0	26.0	36.0	64.0	104	148	197	222	
6"	4 in (102 mm)	0.75		9.00	13.0	18.0	26.0	36.0	64.0	104	148	197	222	
	6 in (152 mm)	0.75		7.00	20.0	45.0	78.0	108	140	222	318	399	431	
8"	6 in (152 mm)	0.75		47.0	60.0	90.0	106	119	139	173	243	294	453	
	8 in (203 mm)	0.75		51.0	53.0	235	362	485	584	665	699	745	810	
10"	6 in (152 mm)	0.75		26.0	37.0	46.0	53.0	56.0	58.0	104	146	655	655	
	8.5 in (216 mm)	0.75		28.0	72.0	420	509	632	678	769	814	832	1091	
8"	8 in (203 mm)	Modified E.P.		0.75	51.0	55.0	64.0	134	162	330	452	527	571	630
10"	8.5 in (216 mm)		0.75	21.0	22.0	27.0	103	209	429	596	663	695	884	
2"	2 in (51 mm)	Quick Open	0.76	0.80	1.50	6.10	13.0	20.2	27.6	35.6	42.4	48.8	53.0	
3"	3 in (76 mm)		0.76	5.10	21.3	42.4	63.8	83.0	97.7	105	111	113	115	
4"	4 in (102 mm)		0.75	8.20	43.8	80.0	119	170	211	237	247	252	253	

HIGH PRESSURE CONTROL VALVES

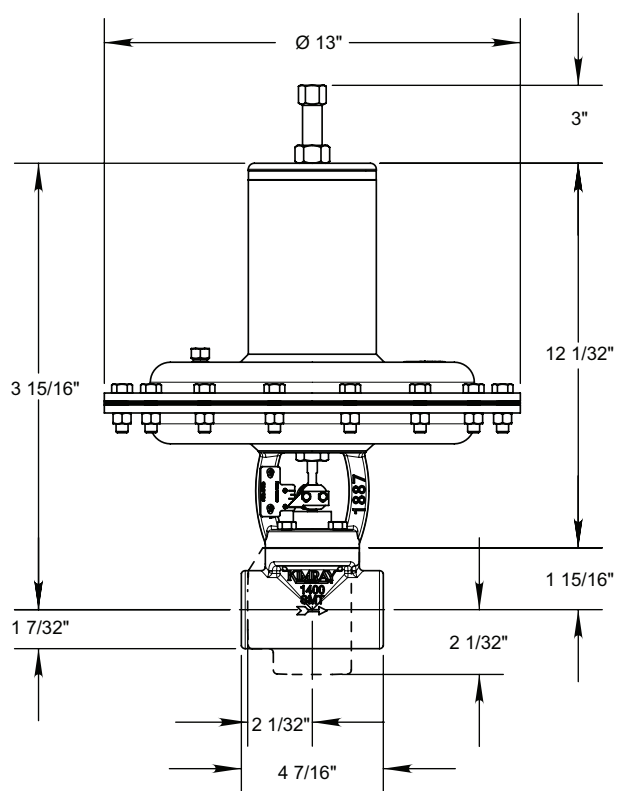


DIMENSIONS 1" MODEL CVS

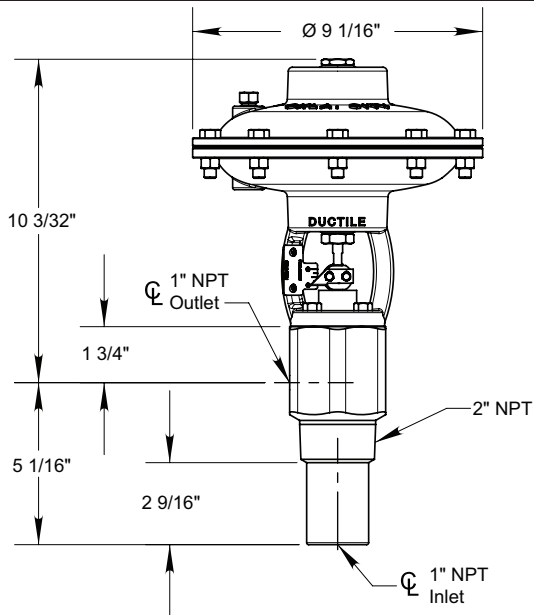
1" HPCV



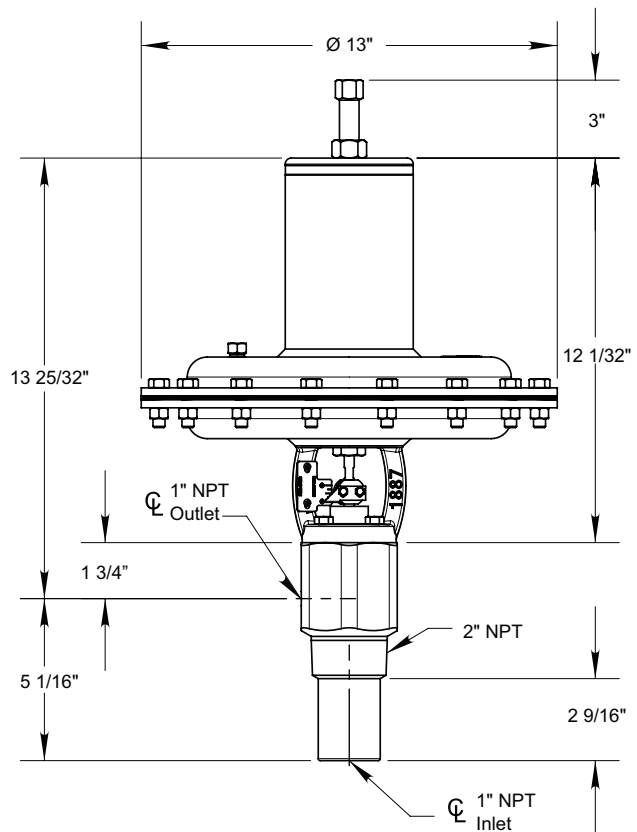
1" HPCV -65 TOPWORKS



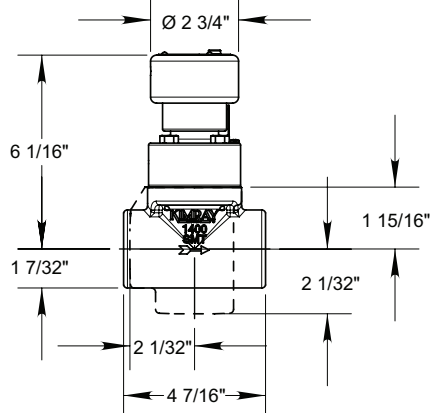
1" SMS



1" SMS -65 TOPWORKS

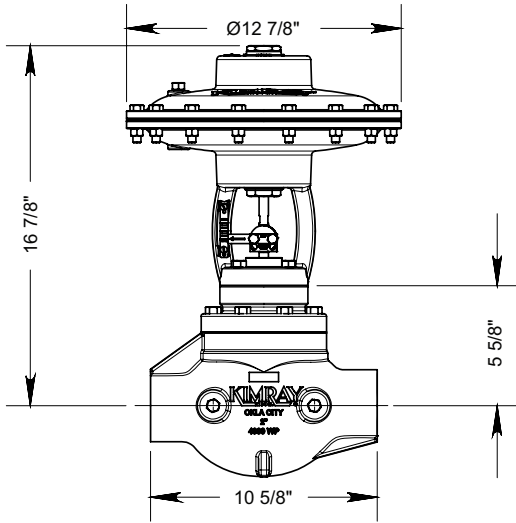


1" SMVA/T

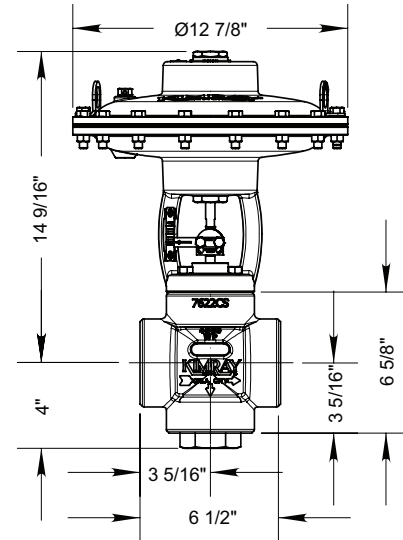


All Pictures shown are for illustration purpose only. Actual product may vary due to product enhancement.

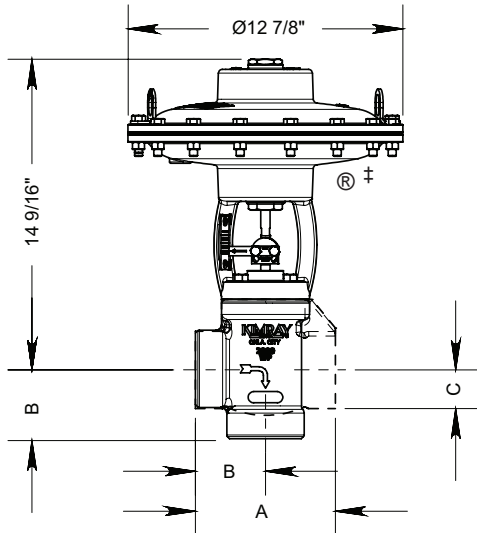
2" HPCV PB



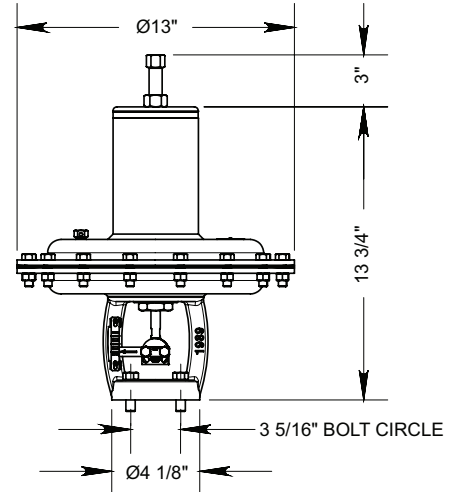
2" SMD



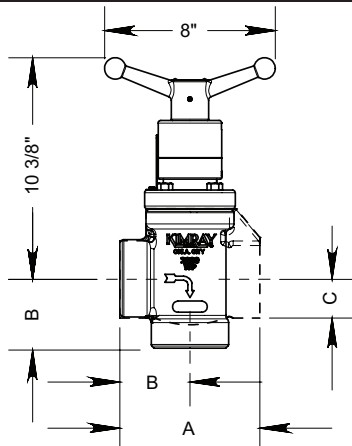
2" HPCV



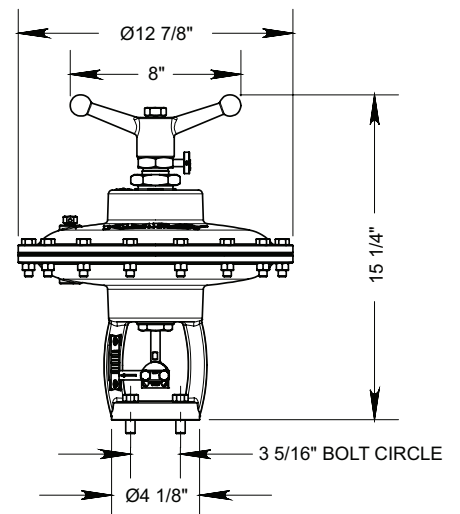
2" -65 TOPWORKS



2" SMVA/T TOPWORKS



2" MVP TOPWORKS



MODEL NO.	A	B	C
2200	6 9/16"	3 9/32"	1 13/16"
2400	6 9/16"	3 9/32"	2 1/16"

All dimensions are in inches
Flanged body dimensions available on request.

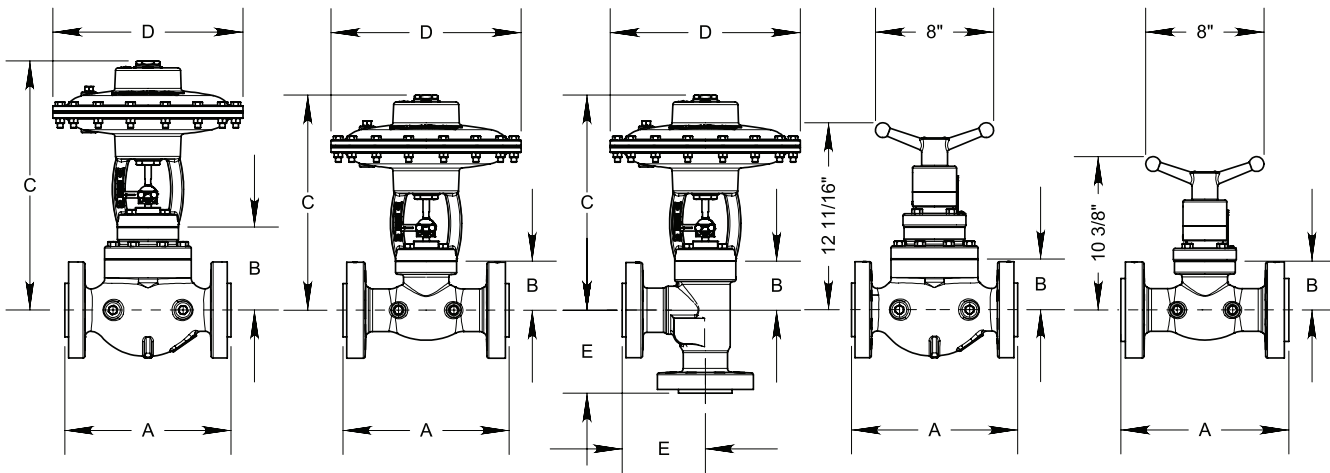
All Pictures shown are for illustration purpose only. Actual product may vary due to product enhancement.
‡ Configuration of High Pressure Control Valve is a trademark of Kimray, Inc.
www.kimray.com

HIGH PRESSURE CONTROL VALVES



DIMENSIONS

FLANGED BODY MODEL CVS & CVC



	SIZE	BODY STYLE	A	B	C	D	E
STEM GUIDED	1"	150RF	7 1/4"	1 15/16"	10 1/2"	9 1/8"	
		150RTJ	7 5/8"	1 15/16"	10 1/2"	9 1/8"	
		300RF	7 3/4"	1 15/16"	10 1/2"	9 1/8"	
		300RTJ	8 1/8"	1 15/16"	10 1/2"	9 1/8"	
		600RF	8 1/4"	1 15/16"	10 1/2"	9 1/8"	
		600RTJ	8 1/4"	1 15/16"	10 1/2"	9 1/8"	
		1500RF	10 3/4"	1 15/16"	10 1/2"	9 1/8"	
	1500RTJ	10 3/4"	1 15/16"	10 1/2"	9 1/8"		
	2"	150RF	10"	3 3/16"	14 1/2"	12 7/8"	5"
		150RTJ	10 3/8"	3 3/16"	14 1/2"	12 7/8"	5"
		300RF	10 1/2"	3 3/16"	14 1/2"	12 7/8"	5 1/2"
		300RTJ	11"	3 3/16"	14 1/2"	12 7/8"	5 1/4"
		600RF	11 1/4"	3 3/16"	14 1/2"	12 7/8"	5 5/8"
		600RTJ	11 3/8"	3 3/16"	14 1/2"	12 7/8"	5 5/8"
		1500RF	13 3/8"	3 3/16"	14 1/2"	12 7/8"	7 13/32"
	1500RTJ	13 1/2"	3 3/16"	14 1/2"	12 7/8"	7 13/32"	
	2500RTJ	16 3/8"	3 3/16"	14 1/2"	12 7/8"		
2-1/16 API 5000	14 3/4"	4 1/4"	14 1/2"	12 7/8"	7 3/8"		
CAGE GUIDED	2"	150RF	10"	5 5/8"	17"	12 7/8"	
		300RF	10 1/2"	5 5/8"	17"	12 7/8"	
		600RF	11 1/4"	5 5/8"	17"	12 7/8"	
		1500RF	13 3/8"	5 5/8"	17"	12 7/8"	
		1500RTJ	13 1/2"	5 5/8"	17"	12 7/8"	
	3"	150RF	11 3/4"	7 1/4"	27"	15 3/4"	
		300RF	12 1/2"	7 1/4"	27"	15 3/4"	
		600RF	13 1/4"	7 1/4"	27"	15 3/4"	
		600RTJ	13 3/8"	7 1/4"	27"	15 3/4"	
	4"	150RF	13 7/8"	11"	30"	15 3/4"	
		300RF	14 1/2"	11"	30"	15 3/4"	
		600RF	15 1/2"	11"	30"	15 3/4"	
	6"	150RF	17 3/4"	11 3/16"	34 1/2"	20 7/16"	
		300RF	18 5/8"	11 3/16"	34 1/2"	20 7/16"	
		600RF	20 1/16"	11 3/16"	34 1/2"	20 7/16"	
	8"	150RF	21 3/8"	11 5/16"	34 1/2"	20 1/2"	
		300RF	22 3/8"	11 5/16"	34 1/2"	20 1/2"	
600RF		24"	11 5/16"	34 1/2"	20 1/2"		
10"	150RF	26 1/2"	11 5/16"	34 1/2"	20 1/2"		
	300RF	27 7/8"	11 5/16"	34 1/2"	20 1/2"		
	600RF	29 9/16"	11 5/16"	34 1/2"	20 1/2"		

All Pictures shown are for illustration purpose only. Actual product may vary due to product enhancement.

Table 2 - Seal Options		
Part	Standard Material	Optional Material
Diaphragm	Nitrile	FKM
Packing Rings	Nitrile	FKM, Aflas, HSN, Graphite
Packing Sleeve	Teflon	
O-rings	Nitrile	FKM, Aflas, HSN
Seal Ring	Polyurethane	Aflas

Table 3 - Seal Specifications							
		NITRILE	HIGHLY SATURATED NITRILE	FKM	AFLAS®	TEFLON	GRAPHITE PACKING
	Kimray Suffix	-	HSN	V	AF	T	G
Resistance	Abrasion	G	G-E	G	G	E	PF
	Acid	F	G-E	G-E	E	E	G
	Chemical	F	F	E	E	E	E
	Cold	G	G	P	P	E	E
	Flame	P	P	E	E	P	E
	Heat	G	E	E	E	E	E
	Oil	G-E	E	E	E	E	E
	Ozone	P	G	G-E	E	E	F
	Set	G	G	G-E	P	P	G
	Tear	F	F	F	P	E	P
	Water/Steam	F	E	P	G	E	E
	Weather	F	G	E	E	E	E
	CO2	F-G	G	G	G	E	E
	H2S	P	F	P	E	E	E
Methanol	F	E	P	P	E	E	
Properties	Dynamic	G	G	G	G	P	E
	Electrical	F	F	F	G-E	E	Conductive
	Impermeability	G	G	G	G	E	G
	Tensile Strength	G	G-E	G	F	E	P
Temp. Range		-20° to +250°F	-20° to +300°F	-15° to +400°F	+15° to +450°F	-450° to +500°F	-328° to +850°F
		-29° to +121°C	-29° to +149°C	-26° to +204°C	-9° to +232°C	-268° to +260°C	-200° to +455°C
RATINGS: P-POOR, F-FAIR, G-GOOD, E-EXCELLENT							

Table 5 - Material Options Stem Guided			
Part Description	Standard Material	Erosive Material	Corrosive Material
Body	WCB (ASTM A216)		WCB (ASTM A216) ‡
Actuator	Ductile (ASTM A395)		
Stuffing Box	Carbon Steel (ASTM A105)		316SS (ASTM A479)
Cage	Alloy Steel (ASTM A108)		316SS (ASTM A479)
Stem	303SS (ASTM A582)		316SS (ASTM A479)
Plug*	Chrome Alloy	Tungsten Carbide	316SS (ASTM A479)
Seat	D-2 (ASTM A681)	Zirconia	316SS (ASTM A479)
Cover Bonnet (Metering Valve)	WCB (ASTM A216)		

*Material can vary by trim size. See Page 01:200.2

‡ Coated Parts available with "K" service type

Table 6 - Material Options Cage Guided			
Part Description	Standard Material	Erosive Material	Corrosive Material
Body	WCB (ASTM A216)		WCB (ASTM A216) ‡
Actuator	Ductile (ASTM A395)		
Stuffing Box	2" - 4"	Carbon Steel (ASTM A105)	316SS (ASTM A479)
	6" - 10"	316SS (ASTM A479)	
Cover Bonnet (Upper Housing)	WCB (ASTM A216)		WCB (ASTM A216) ‡
Cage	2 & 3 inch 316SS (ASTM A479)	4-10 inch 316SS (ASTM A351 CF8M)	
Stem	316SS (ASTM A479)	303SS (ASTM A582)	316SS (ASTM A479)
Piston	316SS (ASTM A479)	D-2 (ASTM A597)	316SS (ASTM A479)
Seat Disc	D2 (ASTM A681)	Zirconia	316SS (ASTM A479)
Ratio Plug	D-2 (ASTM A597)		316SS (ASTM A351 CF8M)
Seat	D-2 (ASTM A681)		316SS (ASTM A479)
Bonnet (Metering Valve)	WCB (ASTM A216)		

‡ Coated Parts available with "K" service type

Table 6 - 1" Stem Guided HPCV

Valve Description	ΔP	0 psig (0 bar)		100 psig (6.8 bar)		500 psig (34.4 bar)		1000 psig (68.9 bar)		1500 psig (103.4 bar)	
	Spring	Crack	Full	Crack	Full	Crack	Full	Crack	Full	Crack	Full
1400 SMT PO 1/8" IV	621 (10 lbs)	3 psig (0.21 bar)	9.5 psig (0.66 bar)	3 psig (0.21 bar)	9 psig (0.62 bar)	3 psig (0.21 bar)	8.5 psig (0.59 bar)	2 psig (0.13 bar)	7 psig (0.48 bar)	2 psig (0.13 bar)	6 psig (0.41 bar)
	463 (20 lbs)	6.5 psig (0.44 bar)	20.5 psig (1.41 bar)	6 psig (0.41 bar)	20 psig (1.37 bar)	6 psig (0.41 bar)	19.5 psig (1.34 bar)	5.5 psig (0.37 bar)	18 psig (1.24 bar)	5.5 psig (0.37 bar)	17.5 psig (1.20 bar)
	464 (30 lbs)	9.5 psig (0.65 bar)	34 psig (2.34 bar)	9.5 psig (0.65 bar)	34 psig (2.34 bar)	9 psig (0.62 bar)	33 psig (2.27 bar)	9 psig (0.62 bar)	32 psig (2.20 bar)	8.5 psig (0.58 bar)	31 psig (2.13 bar)
1400 SMT PO 1/8" IV EP	621 (10 lbs)	3.5 psig (0.23 bar)	10 psig (0.68 bar)	3.5 psig (0.23 bar)	10 psig (0.68 bar)	3 psig (0.21 bar)	8.5 psig (0.58 bar)	2.5 psig (0.17 bar)	7.5 psig (0.51 bar)	2 psig (0.13 bar)	6 psig (0.41 bar)
	463 (20 lbs)	7 psig (0.48 bar)	21.5 psig (1.48 bar)	7 psig (0.48 bar)	21 psig (0.44 bar)	6.5 psig (0.44 bar)	19.5 psig (1.34 bar)	6 psig (0.41 bar)	18.5 psig (1.27 bar)	6 psig (0.41 bar)	17.5 psig (1.20 bar)
	464 (30 lbs)	12.5 psig (0.86 bar)	38 psig (2.61 bar)	12.5 psig (0.86 bar)	38 psig (2.61 bar)	11 psig (0.75 bar)	35.5 psig (2.44 bar)	10.5 psig (0.72 bar)	34.5 psig (2.37 bar)	10 psig (0.68 bar)	33 psig (2.27 bar)
1400 SMT PO 3/16" IV	621 (10 lbs)	3.5 psig (0.23 bar)	10.5 psig (0.72 bar)	3.5 psig (0.23 bar)	10 psig (0.68 bar)	3.5 psig (0.23 bar)	9 psig (0.62 bar)	3.5 psig (0.23 bar)	7.5 psig (0.51 bar)	3 psig (0.21 bar)	6.5 psig (0.44 bar)
	463 (20 lbs)	6.5 psig (0.44 bar)	21.5 psig (1.48 bar)	6.5 psig (0.44 bar)	21 psig (1.44 bar)	7.5 psig (0.51 bar)	21 psig (1.44 bar)	7 psig (0.48 bar)	19.5 psig (1.34 bar)	7 psig (0.48 bar)	18.5 psig (1.27 bar)
	464 (30 lbs)	11 psig (0.75 bar)	36 psig (2.48 bar)	10.5 psig (0.72 bar)	36 psig (2.48 bar)	11 psig (0.75 bar)	35 psig (2.41 bar)	11 psig (0.75 bar)	34 psig (2.34 bar)	10.5 psig (0.72 bar)	32.5 psig (2.23 bar)
1400 SMT PO 1/4" IV	621 (10 lbs)	3 psig (0.21 bar)	9.5 psig (0.65 bar)	3 psig (0.21 bar)	9 psig (0.62 bar)	3 psig (0.21 bar)	8.5 psig (0.58 bar)	2.5 psig (0.17 bar)	7.5 psig (0.51 bar)	2.5 psig (0.17 bar)	6.5 psig (0.44 bar)
	463 (20 lbs)	6 psig (0.41 bar)	20.5 psig (1.41 bar)	6 psig (0.41 bar)	20 psig (1.37 bar)	6 psig (0.41 bar)	19.5 psig (1.34 bar)	5.5 psig (0.37 bar)	18 psig (1.24 bar)	5.5 psig (0.37 bar)	17 psig (1.20 bar)
	464 (30 lbs)	10 psig (0.68 bar)	35 psig (2.41 bar)	10 psig (0.68 bar)	35 psig (2.42 bar)	10 psig (0.68 bar)	34 psig (2.34 bar)	9.5 psig (0.65 bar)	33 psig (2.27 bar)	9 psig (0.62 bar)	32 psig (2.20 bar)
1400 SMT PO 1/4" IV EP	621 (10 lbs)	3 psig (0.20 bar)	10 psig (0.68 bar)	3 psig (0.20 bar)	9.5 psig (0.65 bar)	2.5 psig (0.17 bar)	8 psig (0.55 bar)	2.5 psig (0.17 bar)	7 psig (0.48 bar)	2 psig (0.13 bar)	6 psig (0.41 bar)
	463 (20 lbs)	6.5 psig (0.44 bar)	21.5 psig (1.48 bar)	6.5 psig (0.44 bar)	20 psig (1.37 bar)	6 psig (0.41 bar)	20 psig (1.37 bar)	6 psig (0.41 bar)	18.5 psig (1.27 bar)	6 psig (0.41 bar)	17.5 psig (1.20 bar)
	464 (30 lbs)	12 psig (0.83 bar)	40 psig (2.75 bar)	11.5 psig (0.79 bar)	39 psig (2.68 bar)	9.5 psig (0.66 bar)	35 psig (2.42 bar)	9 psig (0.62 bar)	33 psig (2.27 bar)	9 psig (0.62 bar)	32 psig (2.20 bar)
1400 SMT PO 3/8" IV SNAP	621 (10 lbs)	4.5 psig (0.31 bar)	10.5 psig (0.72 bar)	4.5 psig (0.31 bar)	10.5 psig (0.72 bar)	5.5 psig (0.38 bar)	9.5 psig (0.66 bar)	6.5 psig (0.44 bar)	8 psig (0.55 bar)	7.5 psig (0.51 bar)	7 psig (0.48 bar)
	463 (20 lbs)	7 psig (0.48 bar)	21.5 psig (1.48 bar)	7 psig (0.48 bar)	21 psig (1.44 bar)	9.5 psig (0.65 bar)	21 psig (0.44 bar)	10.5 psig (0.72 bar)	20 psig (1.37 bar)	11 psig (0.75 bar)	19 psig (1.31 bar)
	464 (30 lbs)	11 psig (0.75 bar)	35 psig (2.41 bar)	11 psig (0.75 bar)	35 psig (2.41 bar)	13 psig (0.89 bar)	35 psig (2.42 bar)	14 psig (0.97 bar)	33 psig (2.27 bar)	15.5 psig (1.06 bar)	32 psig (2.20 bar)
1400 SMT PO 3/8" IV	621 (10 lbs)	3 psig (0.20 bar)	9 psig (0.62 bar)	3 psig (0.20 bar)	9 psig (0.62 bar)	5 psig (0.34 bar)	9 psig (0.62 bar)	6.5 psig (0.44 bar)	7.5 psig (0.51 bar)	7.5 psig (0.51 bar)	6.5 psig (0.44 bar)
	463 (20 lbs)	6 psig (0.41 bar)	20.5 psig (1.41 bar)	6 psig (0.41 bar)	20 psig (1.37 bar)	8.5 psig (0.58 bar)	21 psig (0.44 bar)	9.5 psig (0.65 bar)	20 psig (1.37 bar)	10.5 psig (0.72 bar)	18.5 psig (1.27 bar)
	464 (30 lbs)	9.5 psig (0.66 bar)	34 psig (2.34 bar)	9.5 psig (0.66 bar)	34 psig (2.34 bar)	11.5 psig (0.79 bar)	33 psig (2.27 bar)	12.5 psig (0.85 bar)	32 psig (2.20 bar)	13.5 psig (0.93 bar)	31 psig (2.14 bar)
1400 SMT PO 1/2" IV	621 (10 lbs)	3 psig (0.20 bar)	10.5 psig (0.72 bar)	3 psig (0.20 bar)	10 psig (0.68 bar)	5.5 psig (0.38 bar)	8.5 psig (0.58 bar)	7 psig (0.48 bar)	7.5 psig (0.51 bar)	9 psig (0.62 bar)	6.5 psig (0.44 bar)
	463 (20 lbs)	6.5 psig (0.44 bar)	21 psig (0.44 bar)	6 psig (0.41 bar)	20.5 psig (1.41 bar)	8.5 psig (0.58 bar)	19.5 psig (1.34 bar)	10 psig (0.68 bar)	18.5 psig (1.27 bar)	12 psig (0.83 bar)	17.5 psig (1.20 bar)
	464 (30 lbs)	11.5 psig (0.79 bar)	37 psig (2.54 bar)	11 psig (0.75 bar)	36 psig (2.48 bar)	13.5 psig (0.93 bar)	35 psig (2.41 bar)	15 psig (1.03 bar)	34 psig (2.34 bar)	17 psig (1.20 bar)	33 psig (2.27 bar)
1400 SMT PO 1/2" IV EP	621 (10 lbs)	3.5 psig (0.24 bar)	10 psig (0.68 bar)	3.5 psig (0.24 bar)	9.5 psig (0.66 bar)	7 psig (0.48 bar)	10 psig (0.68 bar)	7.5 psig (0.52 bar)	7.5 psig (0.51 bar)	9.5 psig (0.65 bar)	6 psig (0.41 bar)
	463 (20 lbs)	7 psig (0.48 bar)	21.5 psig (1.48 bar)	7.5 psig (0.51 bar)	21.5 psig (1.48 bar)	10.5 psig (0.72 bar)	21 psig (0.44 bar)	12.5 psig (0.86 bar)	20.5 psig (1.41 bar)	14 psig (0.97 bar)	19 psig (1.31 bar)
	464 (30 lbs)	11 psig (0.75 bar)	37 psig (2.54 bar)	11 psig (0.75 bar)	37 psig (2.54 bar)	14 psig (0.97 bar)	35 psig (2.41 bar)	16 psig (1.10 bar)	34 psig (2.34 bar)	18 psig (1.24 bar)	33 psig (2.27 bar)

Table 7 - 2" Stem Guided HPCV

Valve Description	ΔP	0 psig (0 bar)		100 psig (6.8 bar)		500 psig (34.4 bar)		1000 psig (68.9 bar)		1500 psig (103.4 bar)	
		Spring	Crack	Full	Crack	Full	Crack	Full	Crack	Full	Crack
2400 SMT PO 1/4" EP IV	1245 (15 lbs)	3.5 psig (0.24 bar)	15.5 psig (1.06 bar)	3 psig (0.20 bar)	15 psig (1.03 bar)	2.5 psig (0.17 bar)	15 psig (1.03 bar)	2 psig (0.13 bar)	14.5 psig (1.00 bar)	1.5 psig (0.10 bar)	13 psig (0.89 bar)
	538 (20 lbs)	3.5 psig (0.24 bar)	18 psig (1.24 bar)	3.5 psig (0.24 bar)	17.5 psig (1.20 bar)	3.5 psig (0.24 bar)	17.5 psig (1.20 bar)	2.5 psig (0.17 bar)	16.5 psig (1.13 bar)	1.5 psig (0.10 bar)	15 psig (1.03 bar)
	508 (30 lbs)	7.5 psig (0.52 bar)	32 psig (2.20 bar)	7 psig (0.48 bar)	32 psig (2.20 bar)	6.5 psig (0.44 bar)	31 psig (2.14 bar)	6 psig (0.41 bar)	30 psig (2.07 bar)	5.5 psig (0.38 br)	29 psig (2.00 bar)
2400 SMT PO 1/4" IV	1245 (15 lbs)	3.5 psig (0.24 bar)	16 psig (1.10 bar)	3.5 psig (0.24 bar)	16 psig (1.10 bar)	3 psig (0.20 bar)	14.5 psig (1.00 bar)	3 psig (0.20 bar)	13 psig (0.89 bar)	3 psig (0.20 bar)	12.5 psig (0.85 bar)
	538 (20 lbs)	4 psig (0.27 bar)	18.5 psig (1.27 bar)	3.5 psig (0.24 bar)	18.5 psig (1.27 bar)	3.5 psig (0.24 bar)	18 psig (1.24 bar)	3 psig (0.20 bar)	17.5 psig (1.20 bar)	3 psig (0.20 bar)	16.5 psig (1.13 bar)
	508 (30 lbs)	6.5 psig (0.44 bar)	32 psig (2.20 bar)	6.5 psig (0.44 bar)	33 psig (2.27 bar)	7 psig (0.48 bar)	31 psig (2.14 bar)	6.5 psig (0.44 bar)	30 psig (2.07 bar)	6.5 psig (0.44 bar)	29 psig (2.00 bar)
2400 SMT PO 1/4" IV SNAP	1245 (15 lbs)	3.5 psig (0.23 bar)	15.5 psig (1.06 bar)	4 psig (0.27 bar)	15.5 psig (1.06 bar)	3 psig (0.20 bar)	15 psig (1.03 bar)	2.5 psig (0.17 bar)	14.5 psig (1.00 bar)	2 psig (0.13 bar)	14 psig (0.97 bar)
	538 (20 lbs)	4 psig (0.27 bar)	18 psig (1.24 bar)	4 psig (0.27 bar)	18 psig (1.24 bar)	3 psig (0.20 bar)	17 psig (1.22 bar)	2.5 psig (0.17 bar)	17 psig (1.22 bar)	2 psig (0.13 bar)	16.5 psig (1.13 bar)
	508 (30 lbs)	6.5 psig (0.44 bar)	32 psig (2.20 bar)	7 psig (0.48 bar)	32 psig (2.20 bar)	6 psig (0.41 bar)	31 psig (2.14 bar)	5 psig (0.34 bar)	30 psig (2.07 bar)	4 psig (0.27 bar)	29 psig (2.00 bar)
2400 SMT PO 3/8" IV	1245 (15 lbs)	4 psig (0.27 bar)	16.5 psig (1.13 bar)	4 psig (0.27 bar)	16 psig (1.10 bar)	3.5 psig (0.23 bar)	16 psig (1.10 bar)	3.5 psig (0.23 bar)	15.5 psig (1.06 bar)	3.5 psig (0.23 bar)	15 psig (1.03 bar)
	538 (20 lbs)	4.5 psig (0.31 bar)	18 psig (1.24 bar)	4 psig (0.27 bar)	18 psig (1.24 bar)	4 psig (0.27 bar)	17 psig (1.22 bar)	4 psig (0.27 bar)	16.5 psig (1.13 bar)	4 psig (0.27 bar)	16.5 psig (1.13 bar)
	508 (30 lbs)	8 psig (0.55 bar)	32 psig (2.20 bar)	8 psig (0.55 bar)	32 psig (2.20 bar)	7.5 psig (0.51 bar)	32 psig (2.20 bar)	7.5 psig (0.51 bar)	31 psig (2.13 bar)	7.5 psig (0.51 bar)	30 psig (2.07 bar)
2400 SMT PO 3/8" IV SNAP	1245 (15 lbs)	4 psig (0.27 bar)	14.5 psig (1.00 bar)	3.5 psig (0.23 bar)	14.5 psig (1.00 bar)	4.5 psig (0.31 bar)	14 psig (0.97 bar)	4.5 psig (0.31 bar)	14 psig (0.97 bar)	4.5 psig (0.31 bar)	13.5 psig (0.93 bar)
	538 (20 lbs)	4 psig (0.27 bar)	17.5 psig (1.20 bar)	4 psig (0.27 bar)	17 psig (1.22 bar)	5 psig (0.34 bar)	17 psig (1.22 bar)	5 psig (0.34 bar)	16.5 psig (1.13 bar)	5 psig (0.34 bar)	16 psig (1.10 bar)
	508 (30 lbs)	7.5 psig (0.51 bar)	32 psig (2.20 bar)	7 psig (0.48 bar)	32 psig (2.20 bar)	8 psig (0.55 bar)	31 psig (2.13 bar)	8.5 psig (0.58 bar)	30 psig (2.07 bar)	8.5 psig (0.58 bar)	29 psig (2.00 bar)
2400 SMT PO 7/16" EP IV	1245 (15 lbs)	4 psig (0.27 bar)	15.5 psig (1.06 bar)	4 psig (0.27 bar)	15.5 psig (1.06 bar)	3.5 psig (0.23 bar)	15 psig (1.03 bar)	3.5 psig (0.23 bar)	14.5 psig (1.00 bar)	3.5 psig (0.23 bar)	14 psig (0.97 bar)
	538 (20 lbs)	4.5 psig (0.31 bar)	18.5 psig (1.31 bar)	4.5 psig (0.31 bar)	18.5 psig (1.27 bar)	4.5 psig (0.31 bar)	17.5 psig (1.20 bar)	4 psig (0.27 bar)	16 psig (1.10 bar)	4 psig (0.27 bar)	15 psig (1.03 bar)
	508 (30 lbs)	8 psig (0.55 bar)	32 psig (2.20 bar)	8 psig (0.55 bar)	31 psig (2.13 bar)	7.5 psig (0.51 bar)	30 psig (2.07 bar)	7.5 psig (0.51 bar)	29 psig (2.00 bar)	7.5 psig (0.51 bar)	28 psig (1.93 bar)
2400 SMT PO 1/2" IV	1245 (15 lbs)	4 psig (0.27 bar)	15 psig (1.03 bar)	4 psig (0.27 bar)	15 psig (1.03 bar)	4.5 psig (0.31 bar)	14.5 psig (1.00 bar)	5 psig (0.34 bar)	13.5 psig (0.93 bar)	5 psig (0.34 bar)	12 psig (0.83 bar)
	538 (20 lbs)	4 psig (0.27 bar)	17 psig (1.22 bar)	3.5 psig (0.23 bar)	16.5 psig (1.13 bar)	4.5 psig (0.31 bar)	16.5 psig (1.13 bar)	4.5 psig (0.31 bar)	15.5 psig (1.06 bar)	5 psig (0.34 bar)	14 psig (0.97 bar)
	508 (30 lbs)	7 psig (0.48 bar)	30 psig (2.07 bar)	7 psig (0.48 bar)	30 psig (2.07 bar)	8 psig (0.58 bar)	30 psig (2.07 bar)	8 psig (0.55 bar)	28 psig (1.93 bar)	8.5 psig (0.58 bar)	27 psig (1.86 bar)
2400 SMT 1/2" IV SNAP	1245 (15 lbs)	3 psig (0.20 bar)	16 psig (1.10 bar)	3 psig (0.20 bar)	15 psig (1.03 bar)	4.5 psig (0.31 bar)	14.5 psig (1.00 bar)	5 psig (0.34 bar)	14 psig (0.97 bar)	5 psig (0.34 bar)	13.5 psig (0.93 bar)
	538 (20 lbs)	3.5 psig (0.23 bar)	17 psig (1.22 bar)	3 psig (0.20 bar)	16.5 psig (1.13 bar)	4.5 psig (0.31 bar)	16 psig (1.10 bar)	5 psig (0.34 bar)	15 psig (1.03 bar)	5 psig (0.34 bar)	14.5 psig (1.00 bar)
	508 (30 lbs)	7 psig (0.48 bar)	32 psig (2.20 bar)	7.5 psig (0.51 bar)	32 psig (2.20 bar)	7.5 psig (0.51 bar)	31 psig (2.14 bar)	7.5 psig (0.51 bar)	30 psig (2.07 bar)	8 psig (0.55 bar)	29 psig (2.00 bar)
2400 SMT PO 5/8" EP IV	1245 (15 lbs)	4 psig (0.27 bar)	16 psig (1.10 bar)	4 psig (0.27 bar)	16 psig (1.10 bar)	6 psig (0.41 bar)	16.5 psig (1.13 bar)	7.5 psig (0.51 bar)	16 psig (1.10 bar)	8.5 psig (0.58 bar)	15.5 psig (1.06 bar)
	538 (20 lbs)	4 psig (0.27 bar)	19 psig (1.31 bar)	4 psig (0.27 bar)	19 psig (1.31 bar)	6.5 psig (0.44 bar)	18.5 psig (1.27 bar)	7.5 psig (0.51 bar)	17.5 psig (1.20 bar)	9 psig (0.62 bar)	17 psig (1.22 bar)
	508 (30 lbs)	8 psig (0.55 bar)	32 psig (2.20 bar)	8.5 psig (0.58 bar)	32 psig (2.20 bar)	10 psig (0.68 bar)	31 psig (2.14 bar)	11.5 psig (0.79 bar)	30 psig (2.06 bar)	12.5 psig (1.48 bar)	29 psig (2.00 bar)

2400 SMT PO 3/4" IV	1245 (15 lbs)	5 psig (0.34 bar)	17 psig (1.72 bar)	5 psig (0.34 bar)	17 psig (1.72 bar)	7.5 psig (0.51 bar)	14.5 psig (1.00 bar)	8.5 psig (0.58 bar)	13 psig (0.89 bar)	10 psig (0.68 bar)	12 psig (0.83 bar)
	538 (20 lbs)	5.5 psig (0.37 bar)	19 psig (1.31 bar)	5.5 psig (0.37 bar)	19 psig (1.31 bar)	7 psig (0.48 bar)	17 psig (1.72 bar)	9 psig (0.62 bar)	16 psig (1.10 bar)	11 psig (0.75 bar)	14 psig (0.97 bar)
	508 (30 lbs)	9 psig (0.62 bar)	34 psig (2.34 bar)	9 psig (0.62 bar)	34 psig (2.34 bar)	11 psig (0.75 bar)	33 psig (2.27 bar)	13 psig (0.89 bar)	32 psig (2.20 bar)	15 psig (1.03 bar)	30 psig (2.07 bar)
2400 SMT PO 3/4" IV SNAP	1245 (15 lbs)	4 psig (0.27 bar)	15 psig (1.03 bar)	4 psig (0.27 bar)	15 psig (1.03 bar)	6.5 psig (0.44 bar)	14.5 psig (0.96 bar)	8 psig (0.55 bar)	13.5 psig (0.93 bar)	9 psig (0.62 bar)	12 psig (0.83 bar)
	538 (20 lbs)	5 psig (0.34 bar)	18.5 psig (1.27 bar)	5 psig (0.34 bar)	18.5 psig (1.27 bar)	6.5 psig (0.44 bar)	16.5 psig (1.13 bar)	8 psig (0.55 bar)	15.5 psig (1.06 bar)	9.5 psig (0.66 bar)	14 psig (0.97 bar)
	508 (30 lbs)	9 psig (0.62 bar)	32 psig (2.20 bar)	9 psig (0.62 bar)	32 psig (2.20 bar)	10 psig (0.68 bar)	31 psig (2.14 bar)	11 psig (0.75 bar)	30 psig (2.07 bar)	12.5 psig (0.86 bar)	29 psig (2.00 bar)
2400 SMT PO 7/8" EP IV	1245 (15 lbs)	3.5 psig (0.23 bar)	15 psig (1.03 bar)	4 psig (0.27 bar)	15 psig (1.03 bar)	7 psig (0.48 bar)	14.5 psig (1.00 bar)	11 psig (0.75 bar)	14 psig (0.97 bar)	13.5 psig (0.93 bar)	13.5 psig (0.93 bar)
	538 (20 lbs)	3.5 psig (0.23 bar)	17.5 psig (1.20 bar)	4 psig (0.27 bar)	17.5 psig (1.20 bar)	7.5 psig (0.51 bar)	17 psig (1.72 bar)	10.5 psig (0.72 bar)	16.5 psig (1.13 bar)	13.5 psig (0.93 bar)	16 psig (1.10 bar)
	508 (30 lbs)	7 psig (0.48 bar)	30 psig (2.07 bar)	7.5 psig (0.51 bar)	30 psig (2.07 bar)	10.5 psig (0.72 bar)	29 psig (2.00 bar)	14 psig (0.97 bar)	28 psig (1.93 bar)	17 psig (1.72 bar)	27 psig (1.86 bar)
2400 SMT PO 1" IV	1245 (15 lbs)	4.5 psig (0.31 bar)	14.5 psig (1.00 bar)	5 psig (0.34 bar)	14 psig (0.97 bar)	8.5 psig (0.58 bar)	13 psig (0.89 bar)	12.5 psig (0.86 bar)	11.5 psig (0.79 bar)	16 psig (1.10 bar)	11 psig (0.75 bar)
	538 (20 lbs)	4.5 psig (0.31 bar)	17 psig (1.72 bar)	5 psig (0.34 bar)	17 psig (1.72 bar)	8.5 psig (0.58 bar)	16 psig (1.10 bar)	12.5 psig (0.86 bar)	15 psig (1.03 bar)	17 psig (1.72 bar)	14 psig (0.97 bar)
	508 (30 lbs)	7 psig (0.48 bar)	31 psig (2.14 bar)	7.5 psig (0.51 bar)	31 psig (2.14 bar)	12 psig (0.83 bar)	30 psig (2.07 bar)	16 psig (1.10 bar)	29 psig (2.00 bar)	19.5 psig (1.34 bar)	28 psig (1.93 bar)
2400 SMT PO 1" IV SNAP	1245 (15 lbs)	4.5 psig (0.31 bar)	16.5 psig (1.13 bar)	4.5 psig (0.31 bar)	16.5 psig (1.13 bar)	8.5 psig (0.58 bar)	15.5 psig (1.06 bar)	11.5 psig (0.79 bar)	15 psig (1.03 bar)	15 psig (1.03 bar)	15 psig (1.03 bar)
	538 (20 lbs)	4.5 psig (0.31 bar)	19 psig (1.31 bar)	4.5 psig (0.31 bar)	19 psig (1.31 bar)	8.5 psig (0.58 bar)	16 psig (1.10 bar)	11.5 psig (0.79 bar)	15.5 psig (1.06 bar)	15 psig (1.03 bar)	15 psig (1.03 bar)
	508 (30 lbs)	8 psig (0.55 bar)	32 psig (2.20 bar)	8 psig (0.55 bar)	32 psig (2.20 bar)	12 psig (0.83 bar)	31 psig (2.14 bar)	16 psig (1.10 bar)	30 psig (2.07 bar)	19.5 psig (1.34 bar)	29 psig (2.00 bar)

Table 8 - 2", 3", 4", 6", 8" & 10" Cage Guided HPCV											
Valve Description	ΔP	0 psig (0 bar)		100 psig (6.8 bar)		500 psig (34.4 bar)		1000 psig (68.9 bar)		1500 psig (103.4 bar)	
	Spring	Crack	Full	Crack	Full	Crack	Full	Crack	Full	Crack	Full
2150 SMT PB 2 IN IV	15 lbs	3 psig (0.21bar)	16 psig (1.1bar)	3.5 psig (0.24bar)	16 psig (1.1bar)	5.5 psig (0.38bar)	15 psig (1.03bar)	7.5 psig (0.52bar)	14 psig (0.97bar)	9.5 psig (0.66bar)	12 psig (0.83bar)
	20 lbs	3 psig (0.21bar)	19 psig (1.31bar)	3 psig (0.21bar)	18 psig (1.24bar)	5.5 psig (0.38bar)	17 psig (1.17bar)	8 psig (0.55bar)	16 psig (1.1bar)	8.5 psig (0.59bar)	15 psig (1.03bar)
	30 lbs	6 psig (0.41bar)	32 psig (2.21bar)	7 psig (0.48bar)	31 psig (2.14bar)	8 psig (0.55bar)	30 psig (2.07bar)	10.5 psig (0.72bar)	29 psig (2bar)	12.5 psig (0.86bar)	28 psig (1.93bar)
3150 FMT PB 3" IV	30 lbs	6 psig (0.41bar)	30 psig (2.07bar)	6.5 psig (0.45bar)	27.5 psig (1.9bar)	10.5 psig (0.72bar)	27 psig (1.86bar)	13.5 psig (0.93bar)	25 psig (1.72bar)	17 psig (1.17bar)	22 psig (1.52bar)
3150 FMT PB 3" IV- PC	30 lbs	Shut	27 psig (1.86bar)	Shut	28 psig (1.93bar)	Shut	30.5 psig (2.1bar)	Shut	33 psig (2.28bar)	Shut	36.5 psig (2.52bar)
4150 FMT PB	30 lbs	8.5 psig (0.59bar)	32 psig (2.21bar)	8.5 psig (0.59bar)	32 psig (2.21bar)	8 psig (0.55bar)	29.5 psig (2.03bar)	7.5 psig (0.52bar)	27 psig (1.86bar)	6 psig (0.41bar)	24.5 psig (1.69bar)
4150 FMT PB 4 IN IV PC	30 lbs	Shut	31 psig (2.14bar)	Shut	32.5 psig (2.24bar)	Shut	34.5 psig (2.38bar)	Shut	37 psig (2.55bar)	Shut	39.5 psig (2.72bar)
6150 FMT PB 6 IN IV	30 lbs	8 psig (0.55bar)	29 psig (2bar)	9.5 psig (0.66bar)	28 psig (1.93bar)	10.5 psig (0.72bar)	27 psig (1.86bar)	11 psig (0.76bar)	25 psig (1.72bar)	11.5 psig (0.79bar)	22 psig (1.52bar)
8150 FMT PB 8 IN IV	30 lbs	8 psig (0.55bar)	29 psig (2bar)	8.5 psig (0.59bar)	27.5 psig (1.9bar)	10 psig (0.69bar)	26.5 psig (1.83bar)	10.5 psig (0.72bar)	24 psig (1.65bar)	10.5 psig (0.72bar)	21.5 psig (1.48bar)
10150 FMT PB 8 IN IV	30 lbs	7.5 psig (0.52bar)	28.5 psig (1.97bar)	8.5 psig (0.59bar)	27.5 psig (1.9bar)	9.5 psig (0.66bar)	26 psig (1.79bar)	10 psig (0.69bar)	24 psig (1.65bar)	10.5 psig (0.72bar)	21.5 psig (1.48bar)