

APPLICATIONS:



Used for actuating HPCV Control Valves.

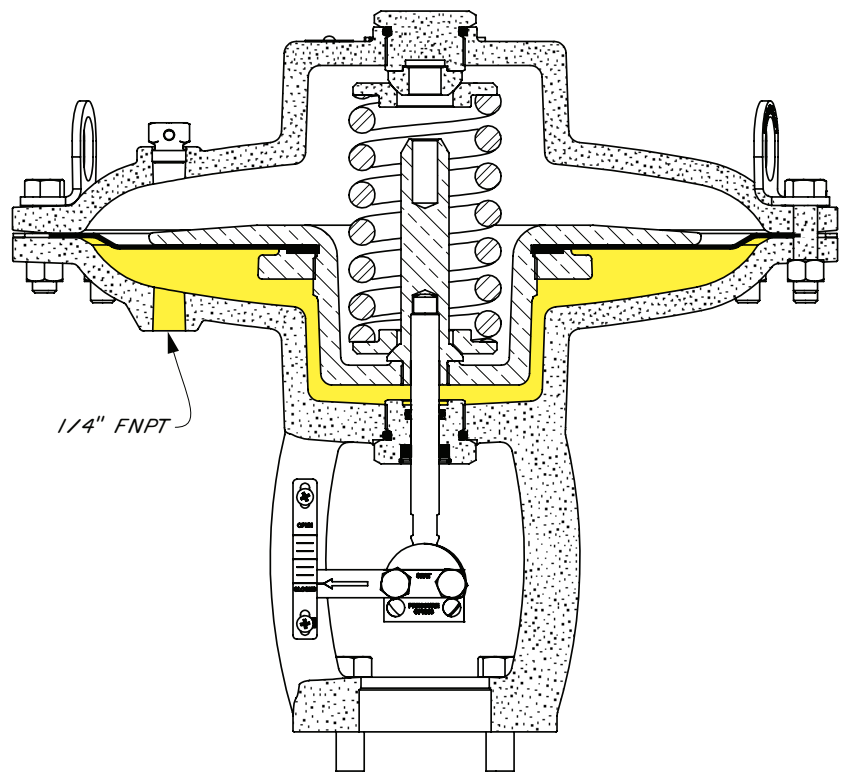
FEATURES:

- Compact design
- Valve travel indicator
- Field-reversible topworks
- Top Adjusting Screw may be adjusted to vary the spring tension slightly; this affects pressure required to actuate valve.

CERTIFICATIONS:

Kimray is an ISO 9001- certified manufacturer.

 Control Valve Diaphragm Assembly
 Control Valve Diaphragm Pressure



Order Code †	Body Size	Effective Diaphragm Area	Normal Actuator. W.P. psig ††	MAX. Actuator. W.P. psig ††	Stem Travel		
EAT	1"	30 square inches	10 - 30 (see spring ranges)	45	1/2"		
EBT	2"	65 square inches			3/4"		
EFX	3"	100 square inches			1 3/8"		
EEY	4"				1 3/4"		
EEZ	6"	120 square inches					2 1/2"
	8"						
	10"						

NOTES:

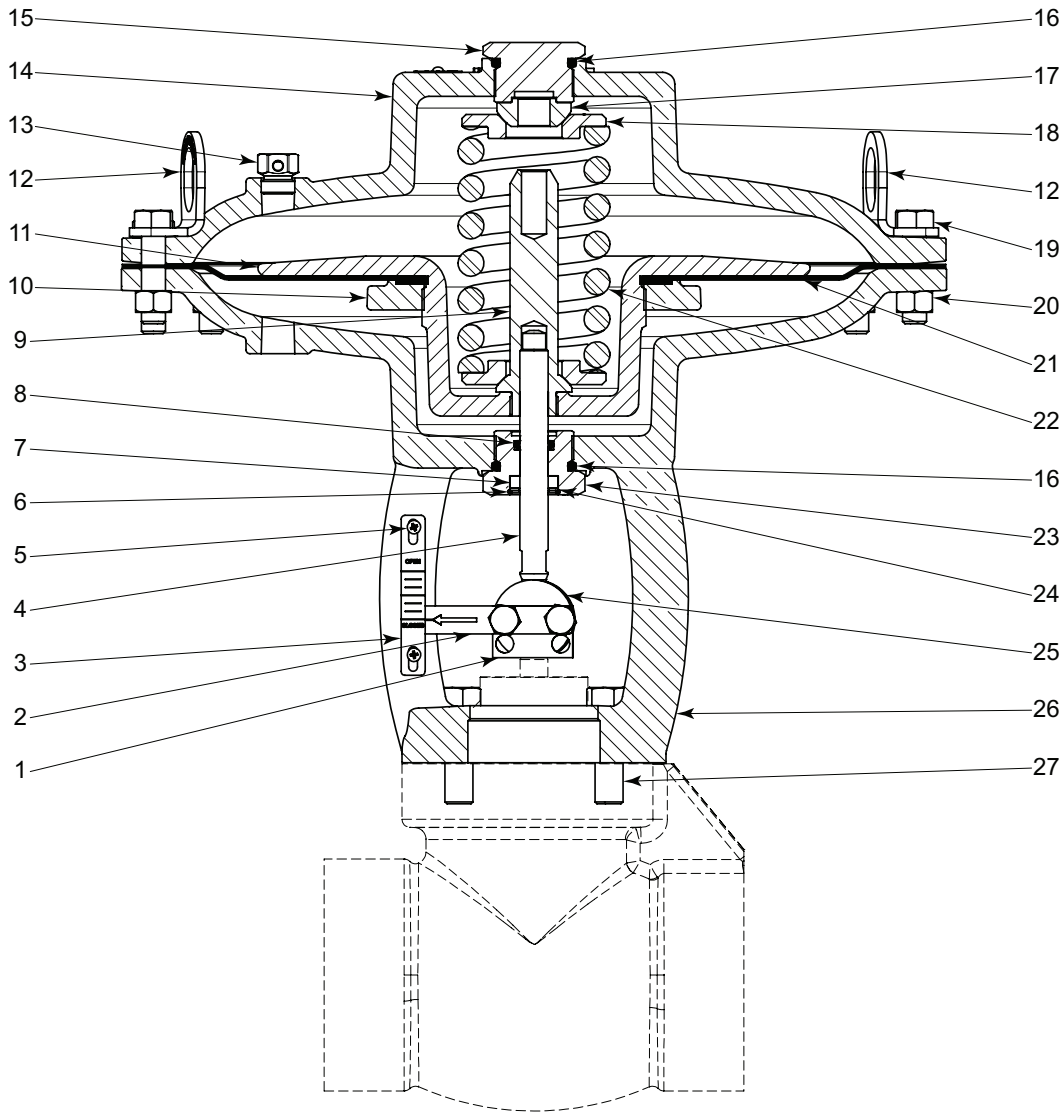
For standard & optional seals, metals, Cf Cv values, material specifications & dimensions see technical data on pages 01:1 - 01:XI

† Top Works only. For complete valve codes see pages 01:300.1 - 01:300.4

†† Max W.P. values based on -20°F to 100°F.

HIGH PRESSURE CONTROL VALVES

STANDARD PISTON BALANCED / CAGE GUIDED ACTUATORS PARTS DRAWING





HIGH PRESSURE CONTROL VALVES

STANDARD PISTON BALANCED / CAGE GUIDED ACTUATORS PARTS LIST

ITEM	QTY.	DESCRIPTION	STANDARD PART NO.					
			1 INCH	2 INCH	3 INCH	4 INCH	6 INCH	8 & 10 INCH
1	1	Tag	----	677	4975		5352	
2	1	Travel Indicator	1659A	535	4974		5317	
3	1	Indicator Scale	488	536	4973	5131	5316	
4	1	Upper Stem	1643	522	4971	5171	5310	
5	2	Screw	7534					
6	1	Snap Ring *	938	940	4968		5311	
7	(QTY)	Felt Wiper *	480	527 (1)	4969 (2)		5337 (2)	
8	1	O-Ring *	153	530	155		5355	
9	1	Pivot Sleeve	466	510	4963	5179	5309	
10	1	Retainer Ring	476	4356	4965		5344	
11	1	Diaphragm Plate	469	4357	4964		5343	
12	2	Lifting Ring	----	7559	----			
13	1	Breather Plug	147				5559SS6	
14	1	Bonnet	461	506	4956		5299	
15	1	Upper Adjusting Screw	457	502	4959	6560	5348	
16	2	O-Ring *	491	537	808		2632	
17	1	Pivot	459	504	4960		5349	
18	2	Spring Plate	462	507	4961		5350	
19	(Qty)	Bolt	247 (10)	430 (16)	236 (24)		191 (24)	
20	(Qty)	Nut	241 (10)	241 (16)	241 (24)			
21	1	Diaphragm	475	519	5169		5315	
22	1	Spring 2-10 lb	621 (silver)	----	----	----	----	
		Spring 3-15 lb	7659 (blue)	1245 (silver)	----	----	----	
		Spring 4-20 lb	463 (red)	538 (red)	----	----	----	
		Spring 6-30 lb	464 (green)	508 (yellow)	4962	5130 (red)	5353 / 5314 ‡	
		Spring 9-45 lb	----	6848 (blue)	----	----	----	----
23	1	Lower Adjusting Screw	458	503	4967		5351	
24	1	Retainer	486	528	4970		5338	
25	1	Coupling Block	1659	511	4972		5345	
26	1	Yoke	460	505	4957		5300	
27	4	Bolt	694	524	4991		5406	
Repair Kits			RHV	RHW	RYB		RWDTW	
Actuator Assembly	Fail Close	2-10 lb Spring	EASPO10	----	----	----	----	
		3-15 lb Spring	EASPO15	EBTPO15	----	----	----	
		4-20 lb Spring	EASPO20	EBTPO20	----	----	----	
		6-30 lb Spring	EASPO30	EBTPO30	EFXPO30	EEYPO30	EEZPO30	
		9-45 lb Spring	----	EBTPO45	----	----	----	----
	Fail Open	2-10 lb Spring	EASPC10	----	----	----	----	
		3-15 lb Spring	EASPC15	EBTPC15	----	----	----	
		4-20 lb Spring	EASPC20	EBTPC20	----	----	----	
		6-30 lb Spring	EASPC30	EBTPC30	EFXPC30	EEYPC30	EEZPC30	
		9-45 lb Spring	----	EBTPC45	----	----	----	
			* These parts are recommended spare parts and are stocked as repair kits.					
			‡ 5314 on Pressure Open only					

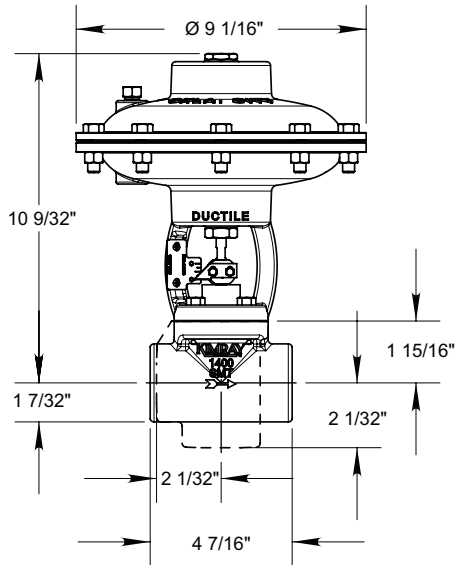
Table 1 - Flow Coefficient(Cv)														
Line Size	Trim Size in. (mm)	Trim Type	Cf	Valve Opening Percentage										
				10	20	30	40	50	60	70	80	90	100	
Stem Guided														
1"	1/8 in (3.17 mm)	Linear (Nominal)	0.58	0.10	0.40	0.50	0.70	0.90	1.00	1.00	1.00	1.10	1.10	
	3/16 in (4.74 mm)		0.59	0.20	0.50	0.77	1.00	1.30	1.40	1.50	1.50	1.50	1.50	
	1/4 in (6.35 mm)		0.78	0.28	0.72	1.11	1.50	1.80	1.95	2.08	2.13	2.15	2.17	
	3/8 in (9.52 mm)		0.91	0.40	1.10	1.60	2.20	2.70	2.90	3.10	3.20	3.20	3.20	
	1/2 in (12.7 mm)		0.94	0.70	1.90	2.90	4.00	4.80	5.20	5.50	5.60	5.70	5.70	
2"	1/4 in (6.35 mm)		0.55	0.40	1.00	1.50	2.00	2.50	2.70	2.80	2.90	2.90	3.00	
	3/8 in (9.52 mm)		0.77	0.53	1.33	2.06	2.80	3.40	3.60	3.90	4.00	4.00	4.00	
	1/2 in (12.7 mm)		0.78	0.94	2.38	3.67	4.97	5.98	6.48	6.91	7.06	7.13	7.20	
	3/4 in (19.0 mm)		0.80	1.60	4.00	6.20	8.40	10.10	11.00	12.00	12.00	12.00	12.00	
	1 in (25.4 mm)		0.77	2.80	7.00	11.00	15.00	18.00	19.00	20.00	21.00	21.00	21.00	
1"	1/8 in (3.17 mm)		Quick Opening (Carbide)	0.73	0.39	0.40	0.40	0.40	0.40	0.40	0.40	0.40	0.40	0.40
	3/16 in (4.74 mm)			0.74	0.77	0.90	0.92	0.92	0.92	0.92	0.92	0.92	0.92	0.92
	1/4 in (6.35 mm)			0.68	0.88	1.51	1.67	1.71	1.73	1.73	1.74	1.74	1.74	1.74
	3/8 in (9.52 mm)	0.74		1.02	2.40	3.36	3.64	3.73	3.78	3.82	3.83	3.83	3.86	
	1/2 in (12.7 mm)	0.90		1.09	2.46	4.17	5.03	5.27	5.45	5.60	5.72	5.85	5.93	
2"	1/4 in (6.35 mm)	0.65		1.23	1.82	1.87	1.87	1.87	1.87	1.87	1.87	1.87	1.87	
	3/8 in (9.52 mm)	0.76		1.65	3.41	3.77	3.83	3.84	3.84	3.84	3.84	3.84	3.84	
	1/2 in (12.7 mm)	0.80		2.26	4.35	5.87	6.36	6.51	6.58	6.61	6.63	6.63	6.63	
	3/4 in (19.0 mm)	0.78		2.16	4.61	7.23	9.19	10.2	10.6	10.9	10.9	10.9	10.9	
	1 in (25.4 mm)	0.70		2.54	5.58	9.30	12.3	14.2	15.1	15.5	15.6	15.6	15.8	
1"	1/8 in (3.17 mm)	Equal Percentage		0.73	0.01	0.02	0.03	0.04	0.06	0.09	0.15	0.26	0.32	0.34
	1/4 in (6.35 mm)			0.66	0.05	0.10	0.14	0.19	0.29	0.58	0.93	1.27	1.63	1.99
	1/2 in (12.7 mm)			0.78	0.16	0.32	0.47	0.60	0.93	1.74	2.99	4.41	5.65	6.49
2"	1/4 in (6.35 mm)		0.65	0.10	0.14	0.19	0.23	0.27	0.55	0.82	1.12	1.62	1.72	
	7/16 in (11.1 mm)		0.60	0.10	0.30	0.50	0.70	1.00	1.50	2.60	3.80	4.80	5.40	
	5/8 in (15.8 mm)		0.58	0.30	0.50	0.90	1.10	1.40	2.30	3.90	6.40	8.70	10.80	
	7/8 in (22.2 mm)		0.66	0.40	0.90	1.57	2.10	3.00	4.20	6.30	9.60	13.00	17.00	
Cage Guided														
2"	1 1/2 in (38mm)		Equal Percentage	0.75	0.60	1.30	2.20	3.40	5.00	8.60	14.0	21.0	26.0	28.6
	2 in (51 mm)	0.76		2.00	4.00	6.00	8.00	11.0	20.0	33.0	45.0	51.0	57.0	
3"	2 in (51 mm)	0.75		2.90	4.90	7.40	9.50	12.0	17.4	28.9	40.8	48.1	52.6	
	3 in (76 mm)	0.76		4.00	6.00	10.0	13.0	16.0	26.0	54.0	83.0	97.0	107	
4"	3 in (76 mm)	0.75		4.00	6.00	9.00	12.0	16.0	25.0	52.0	81.0	95.0	115	
	4 in (102 mm)	0.75		9.00	13.0	18.0	26.0	36.0	64.0	104	148	197	222	
6"	4 in (102 mm)	0.75		9.00	13.0	18.0	26.0	36.0	64.0	104	148	197	222	
	6 in (152 mm)	0.75		7.00	20.0	45.0	78.0	108	140	222	318	399	431	
8"	6 in (152 mm)	0.75		47.0	60.0	90.0	106	119	139	173	243	294	453	
	8 in (203 mm)	0.75		51.0	53.0	235	362	485	584	665	699	745	810	
10"	6 in (152 mm)	0.75		26.0	37.0	46.0	53.0	56.0	58.0	104	146	655	655	
	8.5 in (216 mm)	0.75		28.0	72.0	420	509	632	678	769	814	832	1091	
8"	8 in (203 mm)	Modified E.P.		0.75	51.0	55.0	64.0	134	162	330	452	527	571	630
10"	8.5 in (216 mm)		0.75	21.0	22.0	27.0	103	209	429	596	663	695	884	
2"	2 in (51 mm)	Quick Open	0.76	0.80	1.50	6.10	13.0	20.2	27.6	35.6	42.4	48.8	53.0	
3"	3 in (76 mm)		0.76	5.10	21.3	42.4	63.8	83.0	97.7	105	111	113	115	
4"	4 in (102 mm)		0.75	8.20	43.8	80.0	119	170	211	237	247	252	253	

HIGH PRESSURE CONTROL VALVES

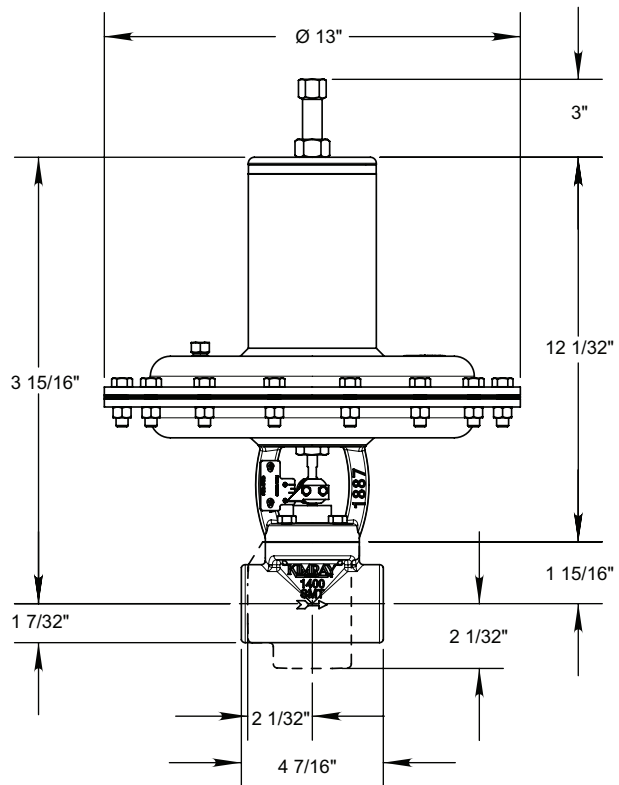


DIMENSIONS 1" MODEL CVS

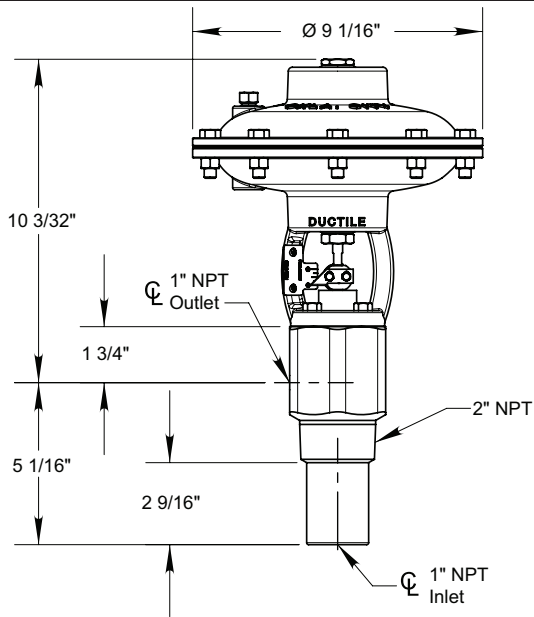
1" HPCV



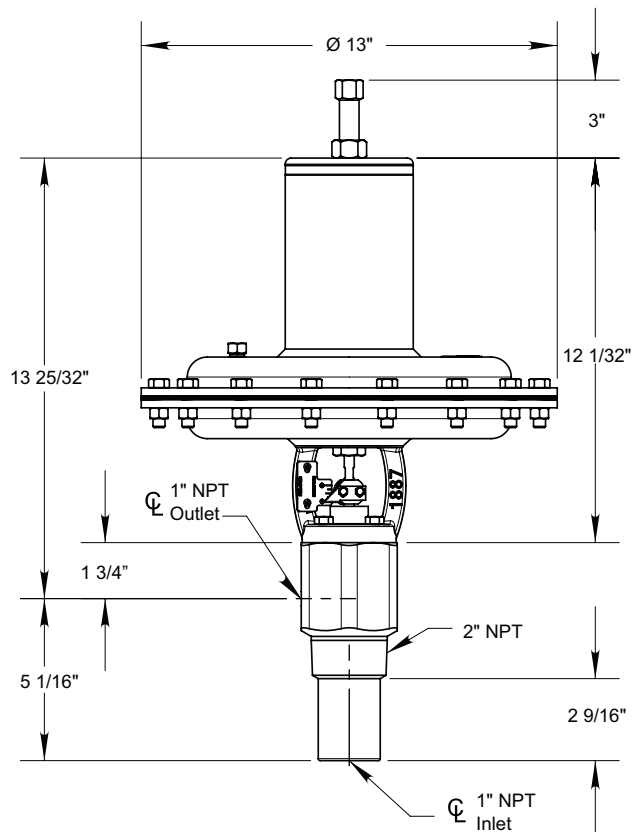
1" HPCV -65 TOPWORKS



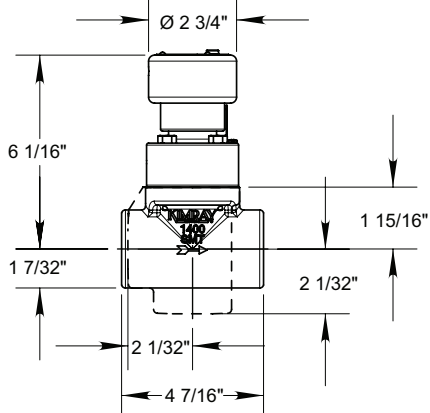
1" SMS



1" SMS -65 TOPWORKS

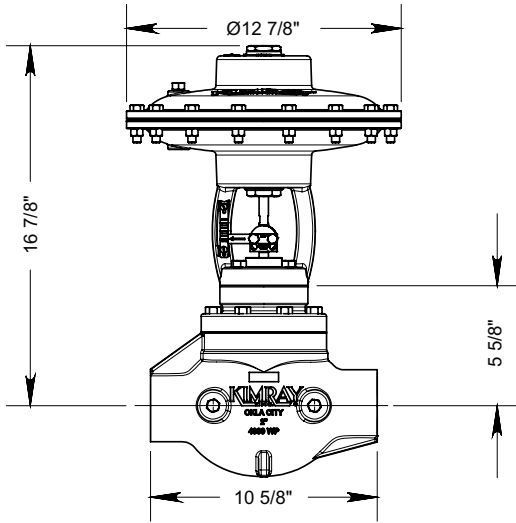


1" SMVA/T

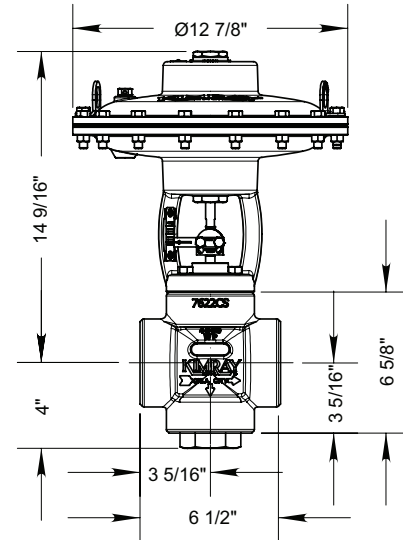


All Pictures shown are for illustration purpose only. Actual product may vary due to product enhancement.

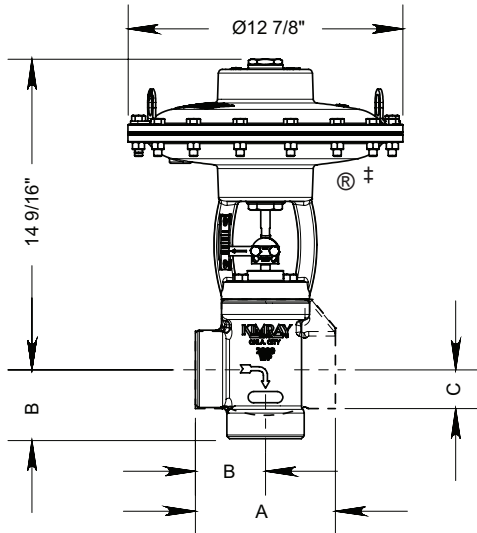
2" HPCV PB



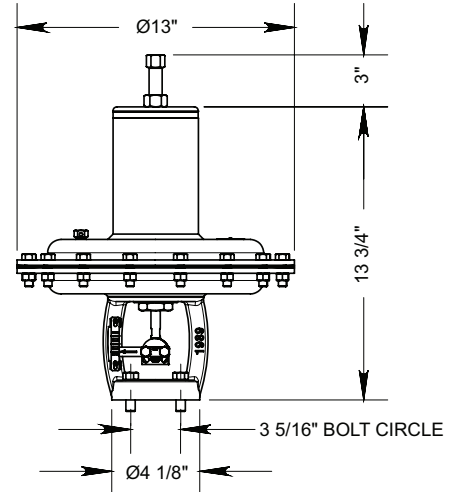
2" SMD



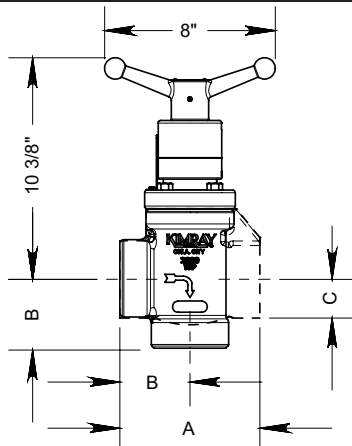
2" HPCV



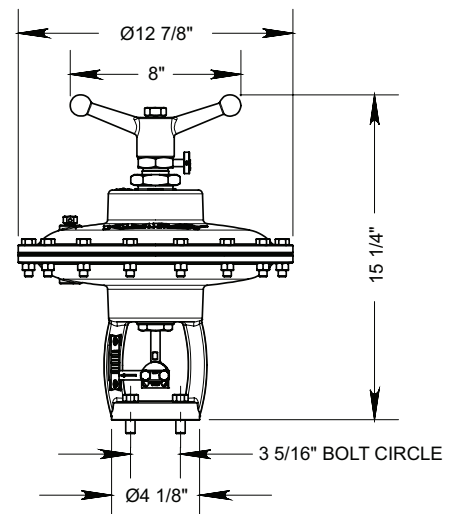
2" -65 TOPWORKS



2" SMVA/T TOPWORKS



2" MVP TOPWORKS



MODEL NO.	A	B	C
2200	6 9/16"	3 9/32"	1 13/16"
2400	6 9/16"	3 9/32"	2 1/16"

All dimensions are in inches
Flanged body dimensions available on request.

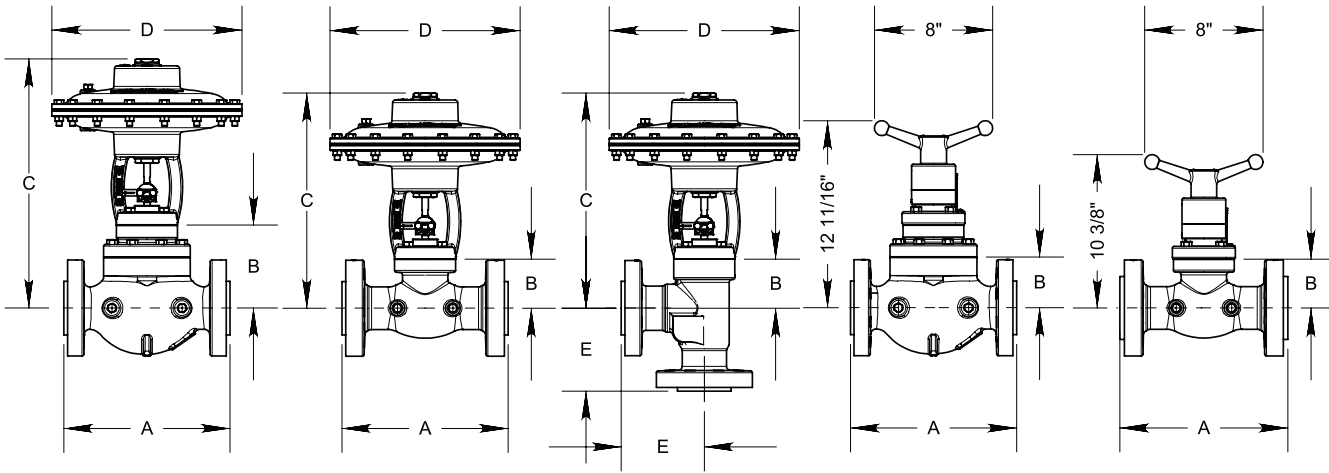
All Pictures shown are for illustration purpose only. Actual product may vary due to product enhancement.
‡ Configuration of High Pressure Control Valve is a trademark of Kimray, Inc.
www.kimray.com

HIGH PRESSURE CONTROL VALVES



DIMENSIONS

FLANGED BODY MODEL CVS & CVC



	SIZE	BODY STYLE	A	B	C	D	E
STEM GUIDED	1"	150RF	7 1/4"	1 15/16"	10 1/2"	9 1/8"	
		150RTJ	7 5/8"	1 15/16"	10 1/2"	9 1/8"	
		300RF	7 3/4"	1 15/16"	10 1/2"	9 1/8"	
		300RTJ	8 1/8"	1 15/16"	10 1/2"	9 1/8"	
		600RF	8 1/4"	1 15/16"	10 1/2"	9 1/8"	
		600RTJ	8 1/4"	1 15/16"	10 1/2"	9 1/8"	
		1500RF	10 3/4"	1 15/16"	10 1/2"	9 1/8"	
	1500RTJ	10 3/4"	1 15/16"	10 1/2"	9 1/8"		
	2"	150RF	10"	3 3/16"	14 1/2"	12 7/8"	5"
		150RTJ	10 3/8"	3 3/16"	14 1/2"	12 7/8"	5"
		300RF	10 1/2"	3 3/16"	14 1/2"	12 7/8"	5 1/2"
		300RTJ	11"	3 3/16"	14 1/2"	12 7/8"	5 1/4"
		600RF	11 1/4"	3 3/16"	14 1/2"	12 7/8"	5 5/8"
		600RTJ	11 3/8"	3 3/16"	14 1/2"	12 7/8"	5 5/8"
		1500RF	13 3/8"	3 3/16"	14 1/2"	12 7/8"	7 13/32"
	1500RTJ	13 1/2"	3 3/16"	14 1/2"	12 7/8"	7 13/32"	
	2500RTJ	16 3/8"	3 3/16"	14 1/2"	12 7/8"		
2-1/16 API 5000	14 3/4"	4 1/4"	14 1/2"	12 7/8"	7 3/8"		
CAGE GUIDED	2"	150RF	10"	5 5/8"	17"	12 7/8"	
		300RF	10 1/2"	5 5/8"	17"	12 7/8"	
		600RF	11 1/4"	5 5/8"	17"	12 7/8"	
		1500RF	13 3/8"	5 5/8"	17"	12 7/8"	
		1500RTJ	13 1/2"	5 5/8"	17"	12 7/8"	
	3"	150RF	11 3/4"	7 1/4"	27"	15 3/4"	
		300RF	12 1/2"	7 1/4"	27"	15 3/4"	
		600RF	13 1/4"	7 1/4"	27"	15 3/4"	
		600RTJ	13 3/8"	7 1/4"	27"	15 3/4"	
	4"	150RF	13 7/8"	11"	30"	15 3/4"	
		300RF	14 1/2"	11"	30"	15 3/4"	
		600RF	15 1/2"	11"	30"	15 3/4"	
	6"	150RF	17 3/4"	11 3/16"	34 1/2"	20 7/16"	
		300RF	18 5/8"	11 3/16"	34 1/2"	20 7/16"	
		600RF	20 1/16"	11 3/16"	34 1/2"	20 7/16"	
	8"	150RF	21 3/8"	11 5/16"	34 1/2"	20 1/2"	
		300RF	22 3/8"	11 5/16"	34 1/2"	20 1/2"	
600RF		24"	11 5/16"	34 1/2"	20 1/2"		
10"	150RF	26 1/2"	11 5/16"	34 1/2"	20 1/2"		
	300RF	27 7/8"	11 5/16"	34 1/2"	20 1/2"		
	600RF	29 9/16"	11 5/16"	34 1/2"	20 1/2"		

All Pictures shown are for illustration purpose only. Actual product may vary due to product enhancement.

Table 2 - Seal Options		
Part	Standard Material	Optional Material
Diaphragm	Nitrile	FKM
Packing Rings	Nitrile	FKM, Aflas, HSN, Graphite
Packing Sleeve	Teflon	
O-rings	Nitrile	FKM, Aflas, HSN
Seal Ring	Polyurethane	Aflas

Table 3 - Seal Specifications							
		NITRILE	HIGHLY SATURATED NITRILE	FKM	AFLAS®	TEFLON	GRAPHITE PACKING
	Kimray Suffix	-	HSN	V	AF	T	G
Resistance	Abrasion	G	G-E	G	G	E	PF
	Acid	F	G-E	G-E	E	E	G
	Chemical	F	F	E	E	E	E
	Cold	G	G	P	P	E	E
	Flame	P	P	E	E	P	E
	Heat	G	E	E	E	E	E
	Oil	G-E	E	E	E	E	E
	Ozone	P	G	G-E	E	E	F
	Set	G	G	G-E	P	P	G
	Tear	F	F	F	P	E	P
	Water/Steam	F	E	P	G	E	E
	Weather	F	G	E	E	E	E
	CO2	F-G	G	G	G	E	E
	H2S	P	F	P	E	E	E
Methanol	F	E	P	P	E	E	
Properties	Dynamic	G	G	G	G	P	E
	Electrical	F	F	F	G-E	E	Conductive
	Impermeability	G	G	G	G	E	G
	Tensile Strength	G	G-E	G	F	E	P
Temp. Range		-20° to +250°F	-20° to +300°F	-15° to +400°F	+15° to +450°F	-450° to +500°F	-328° to +850°F
		-29° to +121°C	-29° to +149°C	-26° to +204°C	-9° to +232°C	-268° to +260°C	-200° to +455°C
RATINGS: P-POOR, F-FAIR, G-GOOD, E-EXCELLENT							

Table 5 - Material Options Stem Guided			
Part Description	Standard Material	Erosive Material	Corrosive Material
Body	WCB (ASTM A216)		WCB (ASTM A216) ‡
Actuator	Ductile (ASTM A395)		
Stuffing Box	Carbon Steel (ASTM A105)		316SS (ASTM A479)
Cage	Alloy Steel (ASTM A108)		316SS (ASTM A479)
Stem	303SS (ASTM A582)		316SS (ASTM A479)
Plug*	Chrome Alloy	Tungsten Carbide	316SS (ASTM A479)
Seat	D-2 (ASTM A681)	Zirconia	316SS (ASTM A479)
Cover Bonnet (Metering Valve)	WCB (ASTM A216)		

*Material can vary by trim size. See Page 01:200.2

‡ Coated Parts available with "K" service type

Table 6 - Material Options Cage Guided			
Part Description	Standard Material	Erosive Material	Corrosive Material
Body	WCB (ASTM A216)		WCB (ASTM A216) ‡
Actuator	Ductile (ASTM A395)		
Stuffing Box	2" - 4"	Carbon Steel (ASTM A105)	316SS (ASTM A479)
	6" - 10"	316SS (ASTM A479)	
Cover Bonnet (Upper Housing)	WCB (ASTM A216)		WCB (ASTM A216) ‡
Cage	2 & 3 inch 316SS (ASTM A479)	4-10 inch 316SS (ASTM A351 CF8M)	
Stem	316SS (ASTM A479)	303SS (ASTM A582)	316SS (ASTM A479)
Piston	316SS (ASTM A479)	D-2 (ASTM A597)	316SS (ASTM A479)
Seat Disc	D2 (ASTM A681)	Zirconia	316SS (ASTM A479)
Ratio Plug	D-2 (ASTM A597)		316SS (ASTM A351 CF8M)
Seat	D-2 (ASTM A681)		316SS (ASTM A479)
Bonnet (Metering Valve)	WCB (ASTM A216)		

‡ Coated Parts available with "K" service type

Table 6 - 1" Stem Guided HPCV

Valve Description	ΔP	0 psig (0 bar)		100 psig (6.8 bar)		500 psig (34.4 bar)		1000 psig (68.9 bar)		1500 psig (103.4 bar)	
	Spring	Crack	Full	Crack	Full	Crack	Full	Crack	Full	Crack	Full
1400 SMT PO 1/8" IV	621 (10 lbs)	3 psig (0.21 bar)	9.5 psig (0.66 bar)	3 psig (0.21 bar)	9 psig (0.62 bar)	3 psig (0.21 bar)	8.5 psig (0.59 bar)	2 psig (0.13 bar)	7 psig (0.48 bar)	2 psig (0.13 bar)	6 psig (0.41 bar)
	463 (20 lbs)	6.5 psig (0.44 bar)	20.5 psig (1.41 bar)	6 psig (0.41 bar)	20 psig (1.37 bar)	6 psig (0.41 bar)	19.5 psig (1.34 bar)	5.5 psig (0.37 bar)	18 psig (1.24 bar)	5.5 psig (0.37 bar)	17.5 psig (1.20 bar)
	464 (30 lbs)	9.5 psig (0.65 bar)	34 psig (2.34 bar)	9.5 psig (0.65 bar)	34 psig (2.34 bar)	9 psig (0.62 bar)	33 psig (2.27 bar)	9 psig (0.62 bar)	32 psig (2.20 bar)	8.5 psig (0.58 bar)	31 psig (2.13 bar)
1400 SMT PO 1/8" IV EP	621 (10 lbs)	3.5 psig (0.23 bar)	10 psig (0.68 bar)	3.5 psig (0.23 bar)	10 psig (0.68 bar)	3 psig (0.21 bar)	8.5 psig (0.58 bar)	2.5 psig (0.17 bar)	7.5 psig (0.51 bar)	2 psig (0.13 bar)	6 psig (0.41 bar)
	463 (20 lbs)	7 psig (0.48 bar)	21.5 psig (1.48 bar)	7 psig (0.48 bar)	21 psig (0.44 bar)	6.5 psig (0.44 bar)	19.5 psig (1.34 bar)	6 psig (0.41 bar)	18.5 psig (1.27 bar)	6 psig (0.41 bar)	17.5 psig (1.20 bar)
	464 (30 lbs)	12.5 psig (0.86 bar)	38 psig (2.61 bar)	12.5 psig (0.86 bar)	38 psig (2.61 bar)	11 psig (0.75 bar)	35.5 psig (2.44 bar)	10.5 psig (0.72 bar)	34.5 psig (2.37 bar)	10 psig (0.68 bar)	33 psig (2.27 bar)
1400 SMT PO 3/16" IV	621 (10 lbs)	3.5 psig (0.23 bar)	10.5 psig (0.72 bar)	3.5 psig (0.23 bar)	10 psig (0.68 bar)	3.5 psig (0.23 bar)	9 psig (0.62 bar)	3.5 psig (0.23 bar)	7.5 psig (0.51 bar)	3 psig (0.21 bar)	6.5 psig (0.44 bar)
	463 (20 lbs)	6.5 psig (0.44 bar)	21.5 psig (1.48 bar)	6.5 psig (0.44 bar)	21 psig (1.44 bar)	7.5 psig (0.51 bar)	21 psig (1.44 bar)	7 psig (0.48 bar)	19.5 psig (1.34 bar)	7 psig (0.48 bar)	18.5 psig (1.27 bar)
	464 (30 lbs)	11 psig (0.75 bar)	36 psig (2.48 bar)	10.5 psig (0.72 bar)	36 psig (2.48 bar)	11 psig (0.75 bar)	35 psig (2.41 bar)	11 psig (0.75 bar)	34 psig (2.34 bar)	10.5 psig (0.72 bar)	32.5 psig (2.23 bar)
1400 SMT PO 1/4" IV	621 (10 lbs)	3 psig (0.21 bar)	9.5 psig (0.65 bar)	3 psig (0.21 bar)	9 psig (0.62 bar)	3 psig (0.21 bar)	8.5 psig (0.58 bar)	2.5 psig (0.17 bar)	7.5 psig (0.51 bar)	2.5 psig (0.17 bar)	6.5 psig (0.44 bar)
	463 (20 lbs)	6 psig (0.41 bar)	20.5 psig (1.41 bar)	6 psig (0.41 bar)	20 psig (1.37 bar)	6 psig (0.41 bar)	19.5 psig (1.34 bar)	5.5 psig (0.37 bar)	18 psig (1.24 bar)	5.5 psig (0.37 bar)	17 psig (1.20 bar)
	464 (30 lbs)	10 psig (0.68 bar)	35 psig (2.41 bar)	10 psig (0.68 bar)	35 psig (2.42 bar)	10 psig (0.68 bar)	34 psig (2.34 bar)	9.5 psig (0.65 bar)	33 psig (2.27 bar)	9 psig (0.62 bar)	32 psig (2.20 bar)
1400 SMT PO 1/4" IV EP	621 (10 lbs)	3 psig (0.20 bar)	10 psig (0.68 bar)	3 psig (0.20 bar)	9.5 psig (0.65 bar)	2.5 psig (0.17 bar)	8 psig (0.55 bar)	2.5 psig (0.17 bar)	7 psig (0.48 bar)	2 psig (0.13 bar)	6 psig (0.41 bar)
	463 (20 lbs)	6.5 psig (0.44 bar)	21.5 psig (1.48 bar)	6.5 psig (0.44 bar)	20 psig (1.37 bar)	6 psig (0.41 bar)	20 psig (1.37 bar)	6 psig (0.41 bar)	18.5 psig (1.27 bar)	6 psig (0.41 bar)	17.5 psig (1.20 bar)
	464 (30 lbs)	12 psig (0.83 bar)	40 psig (2.75 bar)	11.5 psig (0.79 bar)	39 psig (2.68 bar)	9.5 psig (0.66 bar)	35 psig (2.42 bar)	9 psig (0.62 bar)	33 psig (2.27 bar)	9 psig (0.62 bar)	32 psig (2.20 bar)
1400 SMT PO 3/8" IV SNAP	621 (10 lbs)	4.5 psig (0.31 bar)	10.5 psig (0.72 bar)	4.5 psig (0.31 bar)	10.5 psig (0.72 bar)	5.5 psig (0.38 bar)	9.5 psig (0.66 bar)	6.5 psig (0.44 bar)	8 psig (0.55 bar)	7.5 psig (0.51 bar)	7 psig (0.48 bar)
	463 (20 lbs)	7 psig (0.48 bar)	21.5 psig (1.48 bar)	7 psig (0.48 bar)	21 psig (1.44 bar)	9.5 psig (0.65 bar)	21 psig (0.44 bar)	10.5 psig (0.72 bar)	20 psig (1.37 bar)	11 psig (0.75 bar)	19 psig (1.31 bar)
	464 (30 lbs)	11 psig (0.75 bar)	35 psig (2.41 bar)	11 psig (0.75 bar)	35 psig (2.41 bar)	13 psig (0.89 bar)	35 psig (2.42 bar)	14 psig (0.97 bar)	33 psig (2.27 bar)	15.5 psig (1.06 bar)	32 psig (2.20 bar)
1400 SMT PO 3/8" IV	621 (10 lbs)	3 psig (0.20 bar)	9 psig (0.62 bar)	3 psig (0.20 bar)	9 psig (0.62 bar)	5 psig (0.34 bar)	9 psig (0.62 bar)	6.5 psig (0.44 bar)	7.5 psig (0.51 bar)	7.5 psig (0.51 bar)	6.5 psig (0.44 bar)
	463 (20 lbs)	6 psig (0.41 bar)	20.5 psig (1.41 bar)	6 psig (0.41 bar)	20 psig (1.37 bar)	8.5 psig (0.58 bar)	21 psig (0.44 bar)	9.5 psig (0.65 bar)	20 psig (1.37 bar)	10.5 psig (0.72 bar)	18.5 psig (1.27 bar)
	464 (30 lbs)	9.5 psig (0.66 bar)	34 psig (2.34 bar)	9.5 psig (0.66 bar)	34 psig (2.34 bar)	11.5 psig (0.79 bar)	33 psig (2.27 bar)	12.5 psig (0.85 bar)	32 psig (2.20 bar)	13.5 psig (0.93 bar)	31 psig (2.14 bar)
1400 SMT PO 1/2" IV	621 (10 lbs)	3 psig (0.20 bar)	10.5 psig (0.72 bar)	3 psig (0.20 bar)	10 psig (0.68 bar)	5.5 psig (0.38 bar)	8.5 psig (0.58 bar)	7 psig (0.48 bar)	7.5 psig (0.51 bar)	9 psig (0.62 bar)	6.5 psig (0.44 bar)
	463 (20 lbs)	6.5 psig (0.44 bar)	21 psig (0.44 bar)	6 psig (0.41 bar)	20.5 psig (1.41 bar)	8.5 psig (0.58 bar)	19.5 psig (1.34 bar)	10 psig (0.68 bar)	18.5 psig (1.27 bar)	12 psig (0.83 bar)	17.5 psig (1.20 bar)
	464 (30 lbs)	11.5 psig (0.79 bar)	37 psig (2.54 bar)	11 psig (0.75 bar)	36 psig (2.48 bar)	13.5 psig (0.93 bar)	35 psig (2.41 bar)	15 psig (1.03 bar)	34 psig (2.34 bar)	17 psig (1.20 bar)	33 psig (2.27 bar)
1400 SMT PO 1/2" IV EP	621 (10 lbs)	3.5 psig (0.24 bar)	10 psig (0.68 bar)	3.5 psig (0.24 bar)	9.5 psig (0.66 bar)	7 psig (0.48 bar)	10 psig (0.68 bar)	7.5 psig (0.52 bar)	7.5 psig (0.51 bar)	9.5 psig (0.65 bar)	6 psig (0.41 bar)
	463 (20 lbs)	7 psig (0.48 bar)	21.5 psig (1.48 bar)	7.5 psig (0.51 bar)	21.5 psig (1.48 bar)	10.5 psig (0.72 bar)	21 psig (0.44 bar)	12.5 psig (0.86 bar)	20.5 psig (1.41 bar)	14 psig (0.97 bar)	19 psig (1.31 bar)
	464 (30 lbs)	11 psig (0.75 bar)	37 psig (2.54 bar)	11 psig (0.75 bar)	37 psig (2.54 bar)	14 psig (0.97 bar)	35 psig (2.41 bar)	16 psig (1.10 bar)	34 psig (2.34 bar)	18 psig (1.24 bar)	33 psig (2.27 bar)

Table 7 - 2" Stem Guided HPCV

Valve Description	ΔP	0 psig (0 bar)		100 psig (6.8 bar)		500 psig (34.4 bar)		1000 psig (68.9 bar)		1500 psig (103.4 bar)	
	Spring	Crack	Full	Crack	Full	Crack	Full	Crack	Full	Crack	Full
2400 SMT PO 1/4" EP IV	1245 (15 lbs)	3.5 psig (0.24 bar)	15.5 psig (1.06 bar)	3 psig (0.20 bar)	15 psig (1.03 bar)	2.5 psig (0.17 bar)	15 psig (1.03 bar)	2 psig (0.13 bar)	14.5 psig (1.00 bar)	1.5 psig (0.10 bar)	13 psig (0.89 bar)
	538 (20 lbs)	3.5 psig (0.24 bar)	18 psig (1.24 bar)	3.5 psig (0.24 bar)	17.5 psig (1.20 bar)	3.5 psig (0.24 bar)	17.5 psig (1.20 bar)	2.5 psig (0.17 bar)	16.5 psig (1.13 bar)	1.5 psig (0.10 bar)	15 psig (1.03 bar)
	508 (30 lbs)	7.5 psig (0.52 bar)	32 psig (2.20 bar)	7 psig (0.48 bar)	32 psig (2.20 bar)	6.5 psig (0.44 bar)	31 psig (2.14 bar)	6 psig (0.41 bar)	30 psig (2.07 bar)	5.5 psig (0.38 bar)	29 psig (2.00 bar)
2400 SMT PO 1/4" IV	1245 (15 lbs)	3.5 psig (0.24 bar)	16 psig (1.10 bar)	3.5 psig (0.24 bar)	16 psig (1.10 bar)	3 psig (0.20 bar)	14.5 psig (1.00 bar)	3 psig (0.20 bar)	13 psig (0.89 bar)	3 psig (0.20 bar)	12.5 psig (0.85 bar)
	538 (20 lbs)	4 psig (0.27 bar)	18.5 psig (1.27 bar)	3.5 psig (0.24 bar)	18.5 psig (1.27 bar)	3.5 psig (0.24 bar)	18 psig (1.24 bar)	3 psig (0.20 bar)	17.5 psig (1.20 bar)	3 psig (0.20 bar)	16.5 psig (1.13 bar)
	508 (30 lbs)	6.5 psig (0.44 bar)	32 psig (2.20 bar)	6.5 psig (0.44 bar)	33 psig (2.27 bar)	7 psig (0.48 bar)	31 psig (2.14 bar)	6.5 psig (0.44 bar)	30 psig (2.07 bar)	6.5 psig (0.44 bar)	29 psig (2.00 bar)
2400 SMT PO 1/4" IV SNAP	1245 (15 lbs)	3.5 psig (0.23 bar)	15.5 psig (1.06 bar)	4 psig (0.27 bar)	15.5 psig (1.06 bar)	3 psig (0.20 bar)	15 psig (1.03 bar)	2.5 psig (0.17 bar)	14.5 psig (1.00 bar)	2 psig (0.13 bar)	14 psig (0.97 bar)
	538 (20 lbs)	4 psig (0.27 bar)	18 psig (1.24 bar)	4 psig (0.27 bar)	18 psig (1.24 bar)	3 psig (0.20 bar)	17 psig (1.20 bar)	2.5 psig (0.17 bar)	17 psig (1.20 bar)	2 psig (0.13 bar)	16.5 psig (1.13 bar)
	508 (30 lbs)	6.5 psig (0.44 bar)	32 psig (2.20 bar)	7 psig (0.48 bar)	32 psig (2.20 bar)	6 psig (0.41 bar)	31 psig (2.14 bar)	5 psig (0.34 bar)	30 psig (2.07 bar)	4 psig (0.27 bar)	29 psig (2.00 bar)
2400 SMT PO 3/8" IV	1245 (15 lbs)	4 psig (0.27 bar)	16.5 psig (1.13 bar)	4 psig (0.27 bar)	16 psig (1.10 bar)	3.5 psig (0.23 bar)	16 psig (1.10 bar)	3.5 psig (0.23 bar)	15.5 psig (1.06 bar)	3.5 psig (0.23 bar)	15 psig (1.03 bar)
	538 (20 lbs)	4.5 psig (0.31 bar)	18 psig (1.24 bar)	4 psig (0.27 bar)	18 psig (1.24 bar)	4 psig (0.27 bar)	17 psig (1.20 bar)	4 psig (0.27 bar)	16.5 psig (1.13 bar)	4 psig (0.27 bar)	16.5 psig (1.13 bar)
	508 (30 lbs)	8 psig (0.55 bar)	32 psig (2.20 bar)	8 psig (0.55 bar)	32 psig (2.20 bar)	7.5 psig (0.51 bar)	32 psig (2.20 bar)	7.5 psig (0.51 bar)	31 psig (2.13 bar)	7.5 psig (0.51 bar)	30 psig (2.07 bar)
2400 SMT PO 3/8" IV SNAP	1245 (15 lbs)	4 psig (0.27 bar)	14.5 psig (1.00 bar)	3.5 psig (0.23 bar)	14.5 psig (1.00 bar)	4.5 psig (0.31 bar)	14 psig (0.97 bar)	4.5 psig (0.31 bar)	14 psig (0.97 bar)	4.5 psig (0.31 bar)	13.5 psig (0.93 bar)
	538 (20 lbs)	4 psig (0.27 bar)	17.5 psig (1.20 bar)	4 psig (0.27 bar)	17 psig (1.20 bar)	5 psig (0.34 bar)	17 psig (1.20 bar)	5 psig (0.34 bar)	16.5 psig (1.13 bar)	5 psig (0.34 bar)	16 psig (1.10 bar)
	508 (30 lbs)	7.5 psig (0.51 bar)	32 psig (2.20 bar)	7 psig (0.48 bar)	32 psig (2.20 bar)	8 psig (0.55 bar)	31 psig (2.13 bar)	8.5 psig (0.58 bar)	30 psig (2.07 bar)	8.5 psig (0.58 bar)	29 psig (2.00 bar)
2400 SMT PO 7/16" EP IV	1245 (15 lbs)	4 psig (0.27 bar)	15.5 psig (1.06 bar)	4 psig (0.27 bar)	15.5 psig (1.06 bar)	3.5 psig (0.23 bar)	15 psig (1.03 bar)	3.5 psig (0.23 bar)	14.5 psig (1.00 bar)	3.5 psig (0.23 bar)	14 psig (0.97 bar)
	538 (20 lbs)	4.5 psig (0.31 bar)	18.5 psig (1.31 bar)	4.5 psig (0.31 bar)	18.5 psig (1.27 bar)	4.5 psig (0.31 bar)	17.5 psig (1.20 bar)	4 psig (0.27 bar)	16 psig (1.10 bar)	4 psig (0.27 bar)	15 psig (1.03 bar)
	508 (30 lbs)	8 psig (0.55 bar)	32 psig (2.20 bar)	8 psig (0.55 bar)	31 psig (2.13 bar)	7.5 psig (0.51 bar)	30 psig (2.07 bar)	7.5 psig (0.51 bar)	29 psig (2.00 bar)	7.5 psig (0.51 bar)	28 psig (1.93 bar)
2400 SMT PO 1/2" IV	1245 (15 lbs)	4 psig (0.27 bar)	15 psig (1.03 bar)	4 psig (0.27 bar)	15 psig (1.03 bar)	4.5 psig (0.31 bar)	14.5 psig (1.00 bar)	5 psig (0.34 bar)	13.5 psig (0.93 bar)	5 psig (0.34 bar)	12 psig (0.83 bar)
	538 (20 lbs)	4 psig (0.27 bar)	17 psig (1.20 bar)	3.5 psig (0.23 bar)	16.5 psig (1.13 bar)	4.5 psig (0.31 bar)	16.5 psig (1.13 bar)	4.5 psig (0.31 bar)	15.5 psig (1.06 bar)	5 psig (0.34 bar)	14 psig (0.97 bar)
	508 (30 lbs)	7 psig (0.48 bar)	30 psig (2.07 bar)	7 psig (0.48 bar)	30 psig (2.07 bar)	8 psig (0.58 bar)	30 psig (2.07 bar)	8 psig (0.55 bar)	28 psig (1.93 bar)	8.5 psig (0.58 bar)	27 psig (1.86 bar)
2400 SMT 1/2" IV SNAP	1245 (15 lbs)	3 psig (0.20 bar)	16 psig (1.10 bar)	3 psig (0.20 bar)	15 psig (1.03 bar)	4.5 psig (0.31 bar)	14.5 psig (1.00 bar)	5 psig (0.34 bar)	14 psig (0.97 bar)	5 psig (0.34 bar)	13.5 psig (0.93 bar)
	538 (20 lbs)	3.5 psig (0.23 bar)	17 psig (1.20 bar)	3 psig (0.20 bar)	16.5 psig (1.13 bar)	4.5 psig (0.31 bar)	16 psig (1.10 bar)	5 psig (0.34 bar)	15 psig (1.03 bar)	5 psig (0.34 bar)	14.5 psig (1.00 bar)
	508 (30 lbs)	7 psig (0.48 bar)	32 psig (2.20 bar)	7.5 psig (0.51 bar)	32 psig (2.20 bar)	7.5 psig (0.51 bar)	31 psig (2.14 bar)	7.5 psig (0.51 bar)	30 psig (2.07 bar)	8 psig (0.55 bar)	29 psig (2.00 bar)
2400 SMT PO 5/8" EP IV	1245 (15 lbs)	4 psig (0.27 bar)	16 psig (1.10 bar)	4 psig (0.27 bar)	16 psig (1.10 bar)	6 psig (0.41 bar)	16.5 psig (1.13 bar)	7.5 psig (0.51 bar)	16 psig (1.10 bar)	8.5 psig (0.58 bar)	15.5 psig (1.06 bar)
	538 (20 lbs)	4 psig (0.27 bar)	19 psig (1.31 bar)	4 psig (0.27 bar)	19 psig (1.31 bar)	6.5 psig (0.44 bar)	18.5 psig (1.27 bar)	7.5 psig (0.51 bar)	17.5 psig (1.20 bar)	9 psig (0.62 bar)	17 psig (1.20 bar)
	508 (30 lbs)	8 psig (0.55 bar)	32 psig (2.20 bar)	8.5 psig (0.58 bar)	32 psig (2.20 bar)	10 psig (0.68 bar)	31 psig (2.14 bar)	11.5 psig (0.79 bar)	30 psig (2.06 bar)	12.5 psig (1.48 bar)	29 psig (2.00 bar)

2400 SMT PO 3/4" IV	1245 (15 lbs)	5 psig (0.34 bar)	17 psig (1.72 bar)	5 psig (0.34 bar)	17 psig (1.72 bar)	7.5 psig (0.51 bar)	14.5 psig (1.00 bar)	8.5 psig (0.58 bar)	13 psig (0.89 bar)	10 psig (0.68 bar)	12 psig (0.83 bar)
	538 (20 lbs)	5.5 psig (0.37 bar)	19 psig (1.31 bar)	5.5 psig (0.37 bar)	19 psig (1.31 bar)	7 psig (0.48 bar)	17 psig (1.72 bar)	9 psig (0.62 bar)	16 psig (1.10 bar)	11 psig (0.75 bar)	14 psig (0.97 bar)
	508 (30 lbs)	9 psig (0.62 bar)	34 psig (2.34 bar)	9 psig (0.62 bar)	34 psig (2.34 bar)	11 psig (0.75 bar)	33 psig (2.27 bar)	13 psig (0.89 bar)	32 psig (2.20 bar)	15 psig (1.03 bar)	30 psig (2.07 bar)
2400 SMT PO 3/4" IV SNAP	1245 (15 lbs)	4 psig (0.27 bar)	15 psig (1.03 bar)	4 psig (0.27 bar)	15 psig (1.03 bar)	6.5 psig (0.44 bar)	14.5 psig (0.96 bar)	8 psig (0.55 bar)	13.5 psig (0.93 bar)	9 psig (0.62 bar)	12 psig (0.83 bar)
	538 (20 lbs)	5 psig (0.34 bar)	18.5 psig (1.27 bar)	5 psig (0.34 bar)	18.5 psig (1.27 bar)	6.5 psig (0.44 bar)	16.5 psig (1.13 bar)	8 psig (0.55 bar)	15.5 psig (1.06 bar)	9.5 psig (0.66 bar)	14 psig (0.97 bar)
	508 (30 lbs)	9 psig (0.62 bar)	32 psig (2.20 bar)	9 psig (0.62 bar)	32 psig (2.20 bar)	10 psig (0.68 bar)	31 psig (2.14 bar)	11 psig (0.75 bar)	30 psig (2.07 bar)	12.5 psig (0.86 bar)	29 psig (2.00 bar)
2400 SMT PO 7/8" EP IV	1245 (15 lbs)	3.5 psig (0.23 bar)	15 psig (1.03 bar)	4 psig (0.27 bar)	15 psig (1.03 bar)	7 psig (0.48 bar)	14.5 psig (1.00 bar)	11 psig (0.75 bar)	14 psig (0.97 bar)	13.5 psig (0.93 bar)	13.5 psig (0.93 bar)
	538 (20 lbs)	3.5 psig (0.23 bar)	17.5 psig (1.20 bar)	4 psig (0.27 bar)	17.5 psig (1.20 bar)	7.5 psig (0.51 bar)	17 psig (1.72 bar)	10.5 psig (0.72 bar)	16.5 psig (1.13 bar)	13.5 psig (0.93 bar)	16 psig (1.10 bar)
	508 (30 lbs)	7 psig (0.48 bar)	30 psig (2.07 bar)	7.5 psig (0.51 bar)	30 psig (2.07 bar)	10.5 psig (0.72 bar)	29 psig (2.00 bar)	14 psig (0.97 bar)	28 psig (1.93 bar)	17 psig (1.72 bar)	27 psig (1.86 bar)
2400 SMT PO 1" IV	1245 (15 lbs)	4.5 psig (0.31 bar)	14.5 psig (1.00 bar)	5 psig (0.34 bar)	14 psig (0.97 bar)	8.5 psig (0.58 bar)	13 psig (0.89 bar)	12.5 psig (0.86 bar)	11.5 psig (0.79 bar)	16 psig (1.10 bar)	11 psig (0.75 bar)
	538 (20 lbs)	4.5 psig (0.31 bar)	17 psig (1.72 bar)	5 psig (0.34 bar)	17 psig (1.72 bar)	8.5 psig (0.58 bar)	16 psig (1.10 bar)	12.5 psig (0.86 bar)	15 psig (1.03 bar)	17 psig (1.72 bar)	14 psig (0.97 bar)
	508 (30 lbs)	7 psig (0.48 bar)	31 psig (2.14 bar)	7.5 psig (0.51 bar)	31 psig (2.14 bar)	12 psig (0.83 bar)	30 psig (2.07 bar)	16 psig (1.10 bar)	29 psig (2.00 bar)	19.5 psig (1.34 bar)	28 psig (1.93 bar)
2400 SMT PO 1" IV SNAP	1245 (15 lbs)	4.5 psig (0.31 bar)	16.5 psig (1.13 bar)	4.5 psig (0.31 bar)	16.5 psig (1.13 bar)	8.5 psig (0.58 bar)	15.5 psig (1.06 bar)	11.5 psig (0.79 bar)	15 psig (1.03 bar)	15 psig (1.03 bar)	15 psig (1.03 bar)
	538 (20 lbs)	4.5 psig (0.31 bar)	19 psig (1.31 bar)	4.5 psig (0.31 bar)	19 psig (1.31 bar)	8.5 psig (0.58 bar)	16 psig (1.10 bar)	11.5 psig (0.79 bar)	15.5 psig (1.06 bar)	15 psig (1.03 bar)	15 psig (1.03 bar)
	508 (30 lbs)	8 psig (0.55 bar)	32 psig (2.20 bar)	8 psig (0.55 bar)	32 psig (2.20 bar)	12 psig (0.83 bar)	31 psig (2.14 bar)	16 psig (1.10 bar)	30 psig (2.07 bar)	19.5 psig (1.34 bar)	29 psig (2.00 bar)

Table 8 - 2", 3", 4", 6", 8" & 10" Cage Guided HPCV											
Valve Description	ΔP	0 psig (0 bar)		100 psig (6.8 bar)		500 psig (34.4 bar)		1000 psig (68.9 bar)		1500 psig (103.4 bar)	
	Spring	Crack	Full	Crack	Full	Crack	Full	Crack	Full	Crack	Full
2150 SMT PB 2 IN IV	15 lbs	3 psig (0.21bar)	16 psig (1.1bar)	3.5 psig (0.24bar)	16 psig (1.1bar)	5.5 psig (0.38bar)	15 psig (1.03bar)	7.5 psig (0.52bar)	14 psig (0.97bar)	9.5 psig (0.66bar)	12 psig (0.83bar)
	20 lbs	3 psig (0.21bar)	19 psig (1.31bar)	3 psig (0.21bar)	18 psig (1.24bar)	5.5 psig (0.38bar)	17 psig (1.17bar)	8 psig (0.55bar)	16 psig (1.1bar)	8.5 psig (0.59bar)	15 psig (1.03bar)
	30 lbs	6 psig (0.41bar)	32 psig (2.21bar)	7 psig (0.48bar)	31 psig (2.14bar)	8 psig (0.55bar)	30 psig (2.07bar)	10.5 psig (0.72bar)	29 psig (2bar)	12.5 psig (0.86bar)	28 psig (1.93bar)
3150 FMT PB 3" IV	30 lbs	6 psig (0.41bar)	30 psig (2.07bar)	6.5 psig (0.45bar)	27.5 psig (1.9bar)	10.5 psig (0.72bar)	27 psig (1.86bar)	13.5 psig (0.93bar)	25 psig (1.72bar)	17 psig (1.17bar)	22 psig (1.52bar)
3150 FMT PB 3" IV- PC	30 lbs	Shut	27 psig (1.86bar)	Shut	28 psig (1.93bar)	Shut	30.5 psig (2.1bar)	Shut	33 psig (2.28bar)	Shut	36.5 psig (2.52bar)
4150 FMT PB	30 lbs	8.5 psig (0.59bar)	32 psig (2.21bar)	8.5 psig (0.59bar)	32 psig (2.21bar)	8 psig (0.55bar)	29.5 psig (2.03bar)	7.5 psig (0.52bar)	27 psig (1.86bar)	6 psig (0.41bar)	24.5 psig (1.69bar)
4150 FMT PB 4 IN IV PC	30 lbs	Shut	31 psig (2.14bar)	Shut	32.5 psig (2.24bar)	Shut	34.5 psig (2.38bar)	Shut	37 psig (2.55bar)	Shut	39.5 psig (2.72bar)
6150 FMT PB 6 IN IV	30 lbs	8 psig (0.55bar)	29 psig (2bar)	9.5 psig (0.66bar)	28 psig (1.93bar)	10.5 psig (0.72bar)	27 psig (1.86bar)	11 psig (0.76bar)	25 psig (1.72bar)	11.5 psig (0.79bar)	22 psig (1.52bar)
8150 FMT PB 8 IN IV	30 lbs	8 psig (0.55bar)	29 psig (2bar)	8.5 psig (0.59bar)	27.5 psig (1.9bar)	10 psig (0.69bar)	26.5 psig (1.83bar)	10.5 psig (0.72bar)	24 psig (1.65bar)	10.5 psig (0.72bar)	21.5 psig (1.48bar)
10150 FMT PB 8 IN IV	30 lbs	7.5 psig (0.52bar)	28.5 psig (1.97bar)	8.5 psig (0.59bar)	27.5 psig (1.9bar)	9.5 psig (0.66bar)	26 psig (1.79bar)	10 psig (0.69bar)	24 psig (1.65bar)	10.5 psig (0.72bar)	21.5 psig (1.48bar)

Series: **CV = Control Valves**

Model: **C = Cage Guided**

Line Size:
2 = 2 NPS
 3 = 3 NPS
 4 = 4 NPS
 6 = 6 NPS
 8 = 8 NPS
 0 = 10 NPS

End Connection: **3", 4", 6", 8" & 10"**

Body Type: **T = Thru**

Shell Material:
W = WCB Steel
 X = Steel (WCB) w/Coating

Trim Type: _____

Actuator:
FEP = Equal Percentage
 FQK = Quick Open
 REP = Reduced E.P.

Service Type:	Plug	Cage	Seat
S = Standard	D2	S6	D2
C = Corrosive	S6	S6	S6
E = Erosive	ZR	S6	D2

0 = No Actuator
 1 = 3 - 15 psi Spring Fail Close
2 = 6 - 30 psi Spring Fail Close
 3 = 9 - 45 psi Spring Fail Close
 4 = 3 - 15 psi Spring Fail Open
 5 = 6 - 30 psi Spring Fail Open
 6 = 9 - 45 psi Spring Fail Open
 8 = Metering Valve (2"-4" only)

S1 = 1500 psi FNPT
 S4 = 4000 psi FNPT
 S6 = 6000 psi FNPT
 AR = 150 RF
 BR = 300 RF
 DR = 600 RF
 FR = 900/1500 RF
 GR = 2500 RF
 DJ = 600 RTJ
 FJ = 900/1500 RTJ
 AR = 150 RF
 BR = 300 RF
 DR = 600 RF
 DJ = 600 RTJ

CV C 2 S2 T W FEP 2 S

Options: Additional cost and lead times will apply
 If multiple options required input in sequential order
 Leave blank if no options required

- 1 = NACE Certification (Corrosive Option Only)
- 2 = Hydrostatic Test Certification
- 3 = MTR (Shell Components)
- A = AFLAS Elastomers
- E = VEE Packing
- G = Graphite Vee Packing
- H = HSN Elastomers
- V = FKM Elastomers
- X = Export (Hydrostatic test, MTR & 3.1)

Not all selections available on all products listed.
 See product pages 01:20.1 - 01:20.3 for available options

* Other materials available upon request