

#### APPLICATIONS:

For the discharge of liquid from vessels where freezing may occur due to high pressure drop. The inner valve is located to utilize vessel heat to help prevent freezing.

Recommended for use as a fail close valve only in non-freeze applications. Excessive diaphragm pressure would be required for fail open service.

The -65 allows a wider spring adjustment range for the discharge of liquid from vessels where freezing may occur due to high pressure drop.

#### FEATURES:

- Compact design
- Carboloy valve plug
- O-Ring-sealed seat
- Valve travel indicator
- Teflon-packed stuffing box
- Can be used as a standard 1" angle valve by reversing the direction of flow.
- Easy removal of seat
- 1" NPT inlet and outlet
- 2" NPT vessel mounting

#### STEM TRAVEL:

- SMS - 1/2" maximum
- 65 SMS - 3/4" maximum

#### INNER VALVE SPECIFICATIONS:

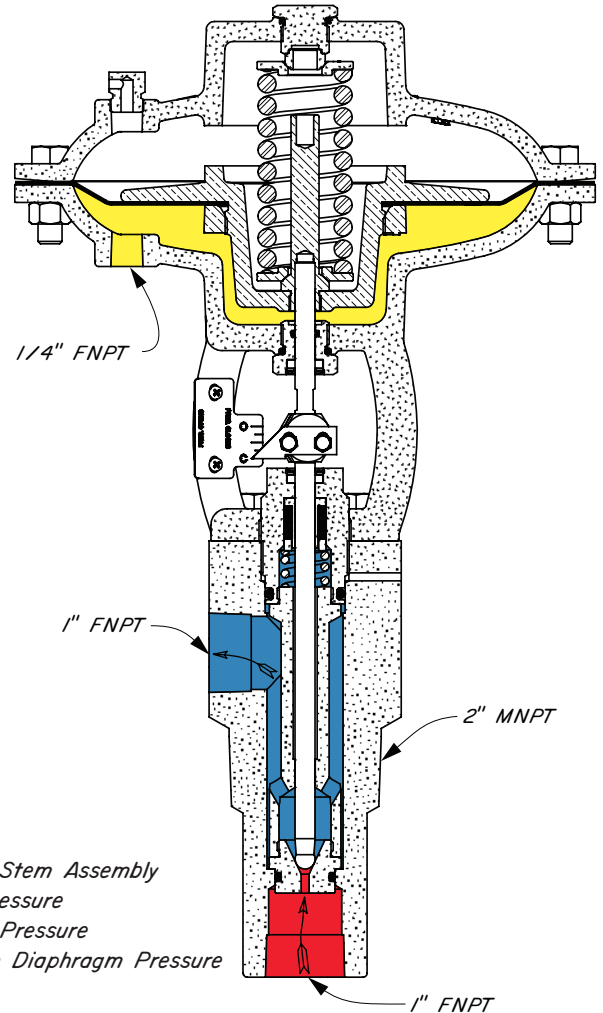
Standard valve plugs consist of a carbide ball rigidly connected to a 303 stain-less steel stem.

Standard seats are made of heat-treated tool steel.

Inner valves can be made from a wide selection of materials. Specify when ordering.

#### CERTIFICATIONS:

Kimray is an ISO 9001- certified manufacturer.



- Motor Valve Stem Assembly
- Upstream Pressure
- Downstream Pressure
- Control Valve Diaphragm Pressure



Order Code †	Body Size & Type	Flow Characteristic	Inner Valve	Max Stem Travel	Max Δ P	Max. W.P. psig ††	Cv	Cf
See page 01:300.4	1" NPT Angle	Quick Opening (Carbide)	1/4"	SMS - 1/2" -65 SMS - 3/4"	2000	4000	1.85	0.76
					4000		1.85	0.76
			3/8"		800		4.15	0.71
					4000		4.15	0.71
			1/2"		450		5.11	0.73
					4000		5.11	0.73
		Linear	1/4"		800		2.11	0.72
					4000		6.34	0.77
			3/8"		800		3.96	0.74
					4000		3.96	0.74
			1/2"		450		6.34	0.77
					4000		6.34	0.77

#### NOTES:

For standard & optional seals, metals, Cf Cv values, material specifications & dimensions see technical data on pages 01:1 - 01:XI

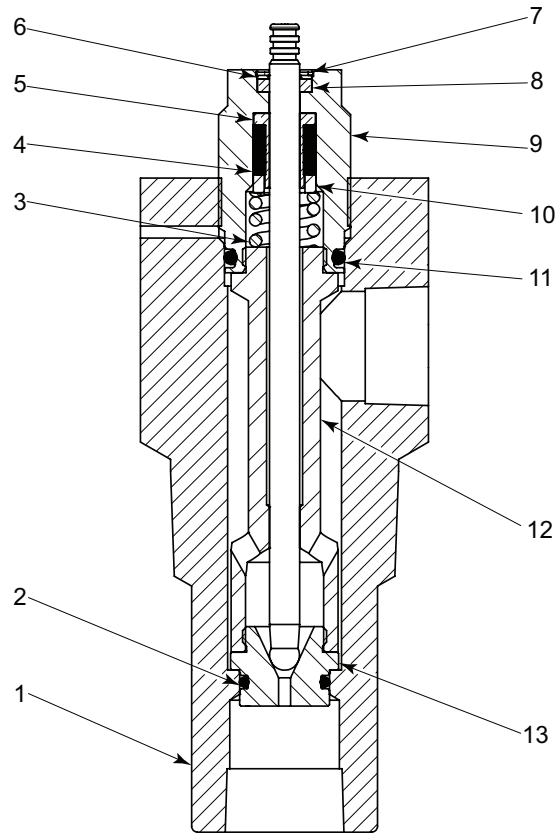
† For complete valve codes see pages 01:300.4

†† Max W.P. values based on -20°F to 100°F.

# HIGH PRESSURE CONTROL VALVES



## NON FREEZE DUMP VALVE BOTTOM WORKS MODEL CVN BOTTOM WORKS PARTS DRAWING



ITEM	QTY.	DESCRIPTION	PART NO.				
			STANDARD	CORROSIVE	EROSIVE		
1	1	Body	1200	1200SS6	1200		
2	1	O-Ring	155	155	155		
3	1	Spring *	465	465HAC	465		
4	(QTY)	Packing Ring	484 (4)	484 (4)	484 (4)		
5	1	Packing Sleeve *	485	485	485		
4&5	1	Optional VEE Packing 450°F max *	5117	5117	5117		
6	1	Retainer	486	486	486		
7	1	Snap Ring *	938	938	938		
8	1	Felt Wiper *	480	480	480		
9	1	Stuffing Box	479	479SS6	479		
10	1	Packing Follower	482SS6	482SS6	482SS6		
11	1	O-Ring *	156	156	156		
12	1	Cage	1981	1981SS6	1981		
13	1	Trim Set	1/4"	Linear	T1202	T1202SS6	----
				Snap	T1463	----	----
			3/8"	Linear	T1234	T1234SS6	----
				Snap	T1462	----	----
			1/2"	Linear	T1977	T1977SS6	----
				Snap	T5325	----	----
Repair Kits			RFA	RFA	RFA		
Stuffing Box Assemblies		Order Code	EAV	EAVSS6	EAV		
		Max W.P. psig	6000	6000	6000		

\* These parts are recommended spare parts and are stocked as repair kits.

#### APPLICATIONS:



Used for actuating HPCV Control Valves.

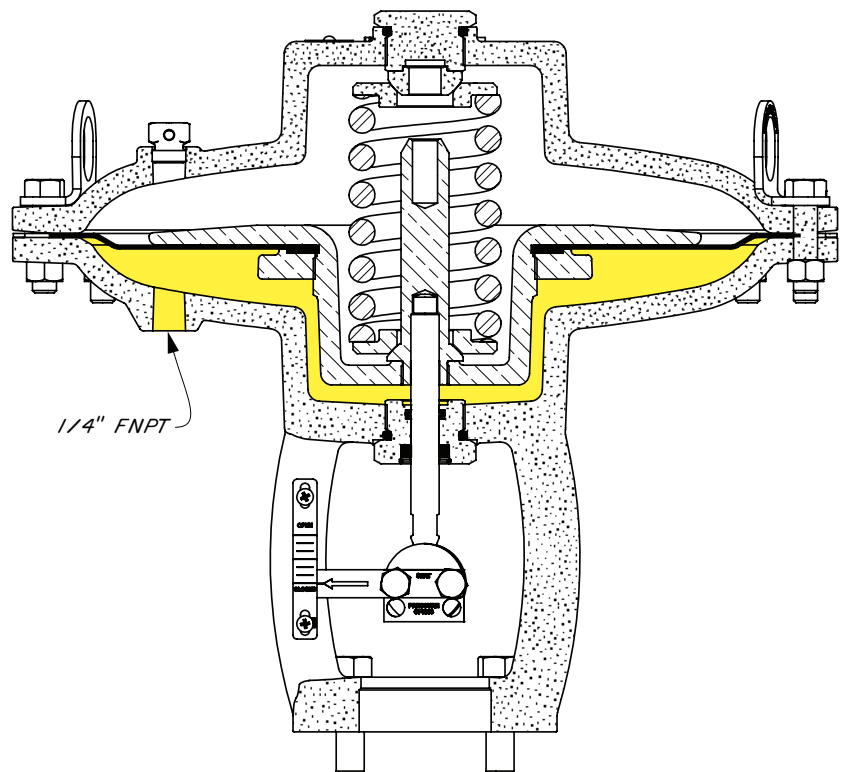
#### FEATURES:

- Compact design
- Valve travel indicator
- Field-reversible topworks
- Top Adjusting Screw may be adjusted to vary the spring tension slightly; this affects pressure required to actuate valve.

#### CERTIFICATIONS:

Kimray is an ISO 9001- certified manufacturer.

 Control Valve Diaphragm Assembly  
 Control Valve Diaphragm Pressure



Order Code †	Body Size	Effective Diaphragm Area	Normal Actuator. W.P. psig ††	MAX. Actuator. W.P. psig ††	Stem Travel		
EAT	1"	30 square inches	10 - 30 (see spring ranges)	45	1/2"		
EBT	2"	65 square inches			3/4"		
EFX	3"	100 square inches			1 3/8"		
EEY	4"				1 3/4"		
EEZ	6"	120 square inches					2 1/2"
	8"						
	10"						

#### NOTES:

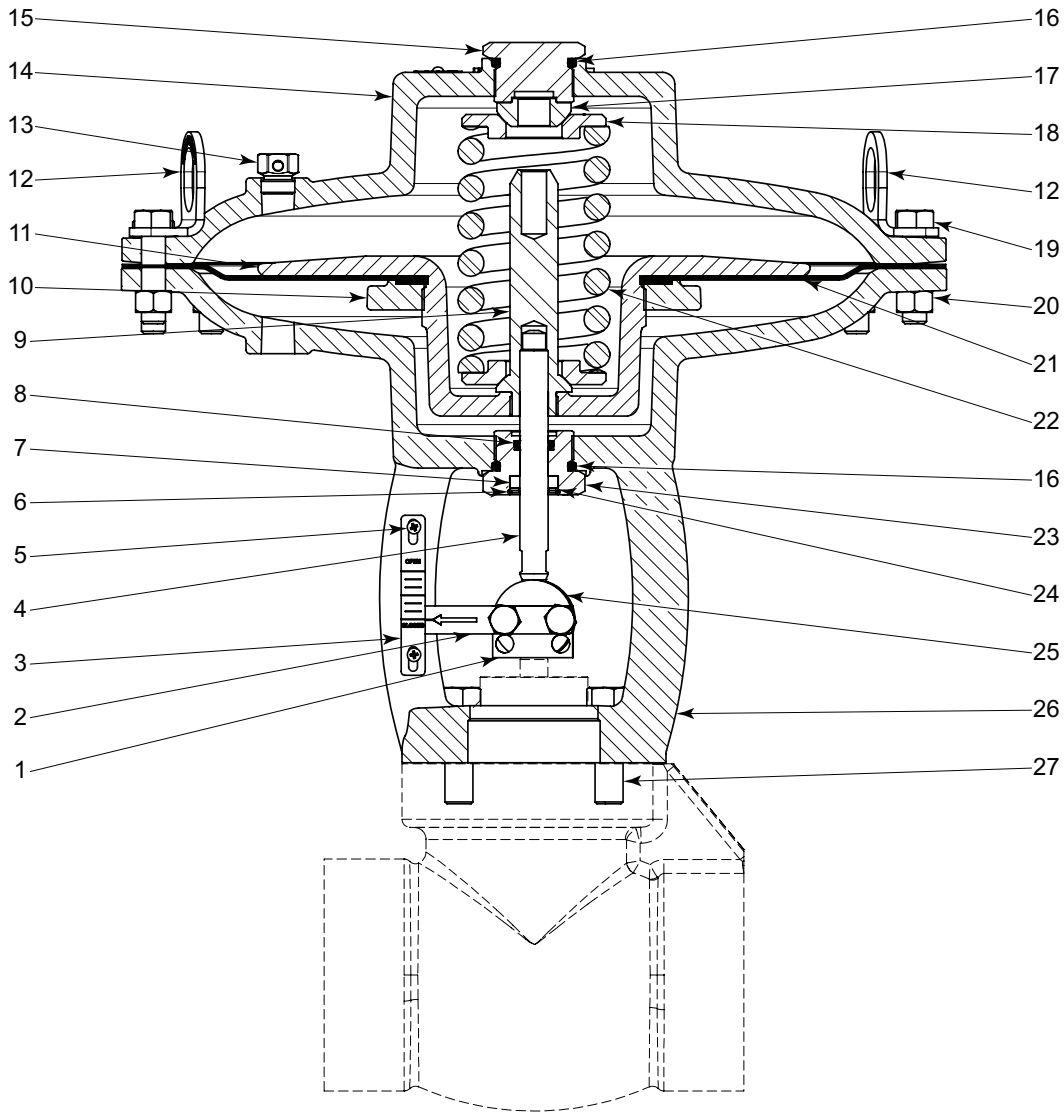
For standard & optional seals, metals, Cf Cv values, material specifications & dimensions see technical data on pages 01:1 - 01:XI

† Top Works only. For complete valve codes see pages 01:300.1 - 01:300.4

†† Max W.P. values based on -20°F to 100°F.

# HIGH PRESSURE CONTROL VALVES

## STANDARD PISTON BALANCED / CAGE GUIDED ACTUATORS PARTS DRAWING



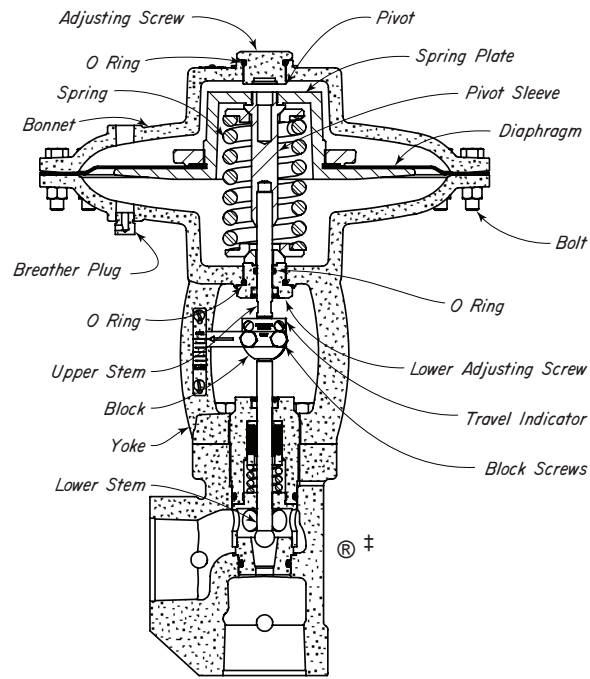
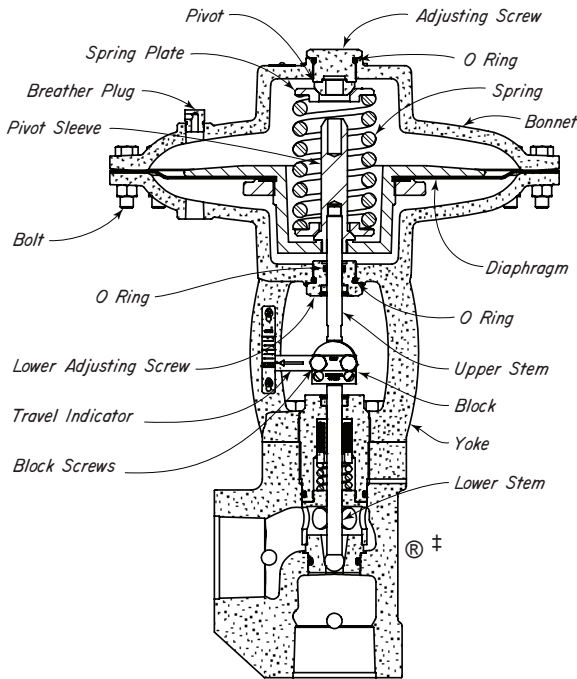


# HIGH PRESSURE CONTROL VALVES

## STANDARD PISTON BALANCED / CAGE GUIDED ACTUATORS PARTS LIST

ITEM	QTY.	DESCRIPTION	STANDARD PART NO.					
			1 INCH	2 INCH	3 INCH	4 INCH	6 INCH	8 & 10 INCH
1	1	Tag	----	677	4975		5352	
2	1	Travel Indicator	1659A	535	4974		5317	
3	1	Indicator Scale	488	536	4973	5131	5316	
4	1	Upper Stem	1643	522	4971	5171	5310	
5	2	Screw	7534					
6	1	Snap Ring *	938	940	4968		5311	
7	(QTY)	Felt Wiper *	480	527 (1)	4969 (2)		5337 (2)	
8	1	O-Ring *	153	530	155		5355	
9	1	Pivot Sleeve	466	510	4963	5179	5309	
10	1	Retainer Ring	476	4356	4965		5344	
11	1	Diaphragm Plate	469	4357	4964		5343	
12	2	Lifting Ring	----	7559	----			
13	1	Breather Plug	147				5559SS6	
14	1	Bonnet	461	506	4956		5299	
15	1	Upper Adjusting Screw	457	502	4959	6560	5348	
16	2	O-Ring *	491	537	808		2632	
17	1	Pivot	459	504	4960		5349	
18	2	Spring Plate	462	507	4961		5350	
19	(Qty)	Bolt	247 (10)	430 (16)	236 (24)		191 (24)	
20	(Qty)	Nut	241 (10)	241 (16)	241 (24)			
21	1	Diaphragm	475	519	5169		5315	
22	1	Spring 2-10 lb	621 (silver)	----	----	----	----	
		Spring 3-15 lb	7659 (blue)	1245 (silver)	----	----	----	
		Spring 4-20 lb	463 (red)	538 (red)	----	----	----	
		Spring 6-30 lb	464 (green)	508 (yellow)	4962	5130 (red)	5353 / 5314 ‡	
		Spring 9-45 lb	----	6848 (blue)	----	----	----	----
23	1	Lower Adjusting Screw	458	503	4967		5351	
24	1	Retainer	486	528	4970		5338	
25	1	Coupling Block	1659	511	4972		5345	
26	1	Yoke	460	505	4957		5300	
27	4	Bolt	694	524	4991		5406	
Repair Kits			RHV	RHW	RYB		RWDTW	
Actuator Assembly	Fail Close	2-10 lb Spring	EASPO10	----	----	----	----	
		3-15 lb Spring	EASPO15	EBTPO15	----	----	----	
		4-20 lb Spring	EASPO20	EBTPO20	----	----	----	
		6-30 lb Spring	EASPO30	EBTPO30	EFXPO30	EEYPO30	EEZPO30	
		9-45 lb Spring	----	EBTPO45	----	----	----	----
	Fail Open	2-10 lb Spring	EASPC10	----	----	----	----	
		3-15 lb Spring	EASPC15	EBTPC15	----	----	----	
		4-20 lb Spring	EASPC20	EBTPC20	----	----	----	
		6-30 lb Spring	EASPC30	EBTPC30	EFXPC30	EEYPC30	EEZPC30	
		9-45 lb Spring	----	EBTPC45	----	----	----	
			* These parts are recommended spare parts and are stocked as repair kits.					
			‡ 5314 on Pressure Open only					

## STANDARD STEM GUIDED / CAGE GUIDED ACTUATOR CONVERSION INSTRUCTIONS



### PRESSURE CLOSING to PRESSURE OPENING:

Remove BLOCK SCREWS, TRAVEL INDICATOR and COUPLING BLOCK. Remove UPPER ADJUSTING SCREW, BOLTS, and BONNET. Lift out Diaphragm Assembly (Crosshatched). Remove SPRING, SPRING PLATES and PIVOT. Unscrew UPPER STEM and insert in opposite end of PIVOT SLEEVE.

Replace LOWER ADJUSTING SCREW and tighten against YOKE. O RING 491 - 1", 537 - 2", provides the necessary pressure seal. Invert Diaphragm Assembly and replace. Care should

be taken when threading the UPPER STEM through the LOWER ADJUSTING SCREW so as not to damage O RING, 153Q - 1", 530Q - 2". Replace SPRING with a SPRING PLATE in each end. UPPER ADJUSTING SCREW opening Thread UPPER ADJUSTING SCREW into BONNET until contact is made with the PIVOT, then tighten two turns. The UPPER ADJUSTING SCREW now becomes the SPRING adjustment. With BLOCK SCREWS through INDICATOR, replace COUPLING BLOCK matching match marks. Move BREATHER PLUG to BONNET (upper Diaphragm Housing). Connect Diaphragm Pressure from PILOT to YOKE (Lower Diaphragm Housing).

### PRESSURE OPENING to PRESSURE CLOSING:

Remove BLOCK SCREWS, TRAVEL INDICATOR and COUPLING BLOCK. Remove UPPER ADJUSTING SCREW, BOLTS, and BONNET. Lift out Diaphragm Assembly (Crosshatched). Remove SPRING, SPRING PLATES and PIVOT. Rotate Diaphragm Assembly when pulling UPPER STEM through LOWER ADJUSTING SCREW so as not to damage O-Ring, 153Q - 1", and 530Q - 2".

Unscrew UPPER STEM and replace in opposite end of PIVOT SLEEVE.

Using COUPLING BLOCK, pull LOWER STEM up to open position. Thread LOWER ADJUSTING SCREW in YOKE until end is flush with inside surface of YOKE. Set PIVOT on top of LOWER ADJUSTING SCREW with the beveled surface up. Replace SPRING with a SPRING PLATE in each end.

Invert Diaphragm Assembly from its original position and replace. Be sure UPPER STEM and LOWER STEM meet. With BLOCK SCREWS through INDICATOR, replace COUPLING BLOCK matching match marks. Replace BONNET and BOLTS and INDICATOR is in "Open" position, then tighten one turn. Move BREATHER PLUG to YOKE (Lower Diaphragm Housing). Connect Diaphragm Pressure from PILOT to BONNET (Upper Diaphragm Housing).

#### APPLICATIONS:

Allows a wider spring adjustment range for discharge of liquid or gas from vessels, separators, treaters, knockouts and similar liquid accumulators.

Allows a finer control when used with back pressure and pressure reducing controllers.

Used as an operator on 1" HPCV, 2" HPCV or 1" SMS.

#### FEATURES:

Compact design

Valve travel indicator

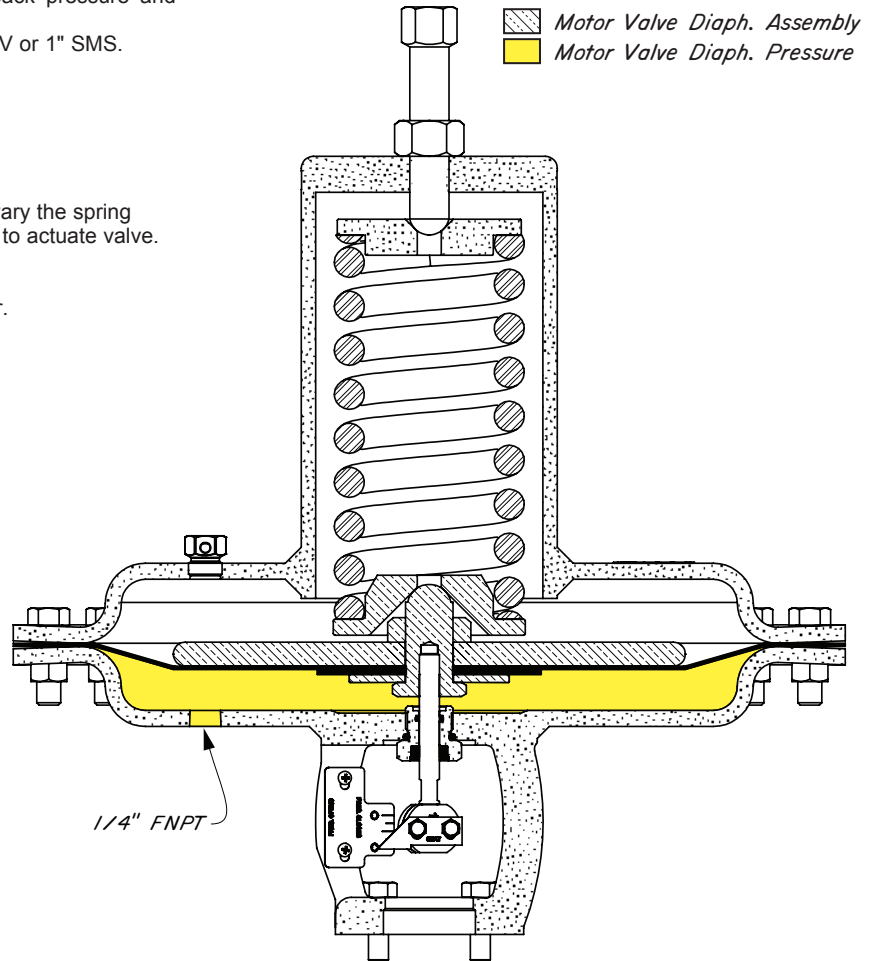
All steel

Adjustable topworks

Top Adjusting Screw may be adjusted to vary the spring tension slightly; this affects pressure required to actuate valve.

#### CERTIFICATIONS:

Kimray is an ISO 9001- certified manufacturer.



Order Code †	Body Size	Effective Diaphragm Area	Spring Diaphragm Pressure psig ††	Normal Actuator. W.P. psig ††	MAX. Actuator. W.P. psig ††	Stem Travel
EAU	1"	65 square inches	10 - 30	25	45	3/4" MAX
EBW	2"					

#### NOTES:

For standard & optional seals, metals, Cf Cv values, material specifications & dimensions see technical data on pages 01:I - 01:XI

† Top Works only. For complete valve codes see page 01:300.4

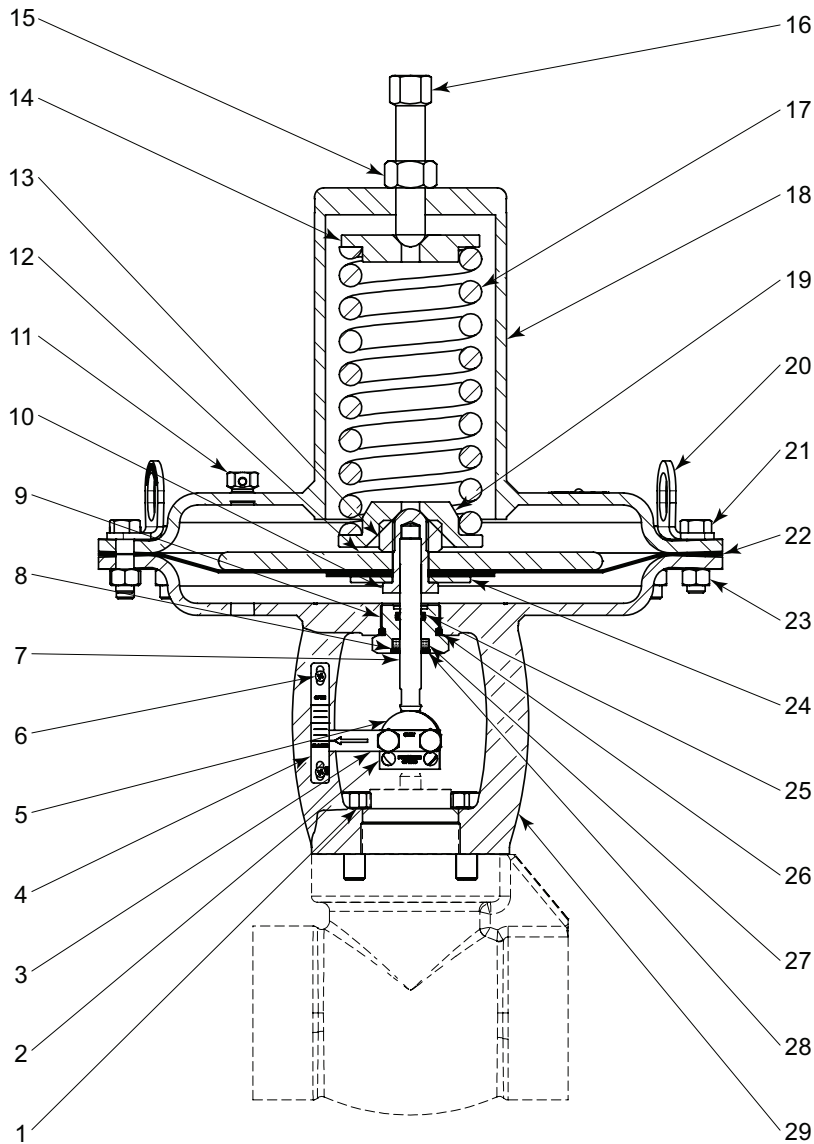
†† Max W.P. values based on -20°F to 100°F.



# HIGH PRESSURE CONTROL VALVES



## -65 ACTUATORS MODEL CVS PARTS DRAWING



ITEM	QTY.	DESCRIPTION	STANDARD PART NO.	
			1 INCH	2 INCH
1	4	Bolt	845	524
2	1	Tag	----	677
3	1	Travel Indicator	1659A	535
4	1	Indicator Scale	488	536
5	1	Coupling Block	1659	511
6	2	Screw	7534	
7	1	Upper Stem	1643	522
8	1	Retainer	486	528
9	1	Lower Adjusting Screw	458	503
10	1	Pivot Screw	2237	1986
11	1	Breather Plug	147	
12	1	Diaphragm Plate	1890	
13	1	Lock Nut	175	
14	1	Upper Spring Guide	1888	
15	1	Nut	1897	

ITEM	QTY.	DESCRIPTION	STANDARD PART NO.	
			1 INCH	2 INCH
16	1	Adjusting Screw	1987	
17	1	Spring	1848	
18	1	Bonnet	1886	
19	1	Lower Spring Guide	1889	
20	2	Lifting Ring	----	7559
21	16	Bolt	247	
22	1	Diaphragm	1892	
23	16	Nut	241	
24	1	Lower Diaphragm Plate	1893	
25	1	O-Ring	*	153   530
26	1	O-Ring	*	491   537
27	(QTY)	Felt Wiper	*	480   527 (1)
28	1	Snap Ring	*	938   940
29	1	Yoke	1887   1989	
Repair Kits			RHV	RHW

\* These parts are recommended spare parts and are stocked as repair kits.

All Pictures shown are for illustration purpose only. Actual product may vary due to product enhancement.



#### Equal Percentage Trim:

A given amount of change in stem position will make the same percent of change in flow whether the flow is low and the valve is nearly closed, or the flow volume is high and the valve is nearly open. In other words: if a 10 psi change in diaphragm pressure is required to fully travel the plug in the valve then with the valve in a specific open position, adding 1 psi to the diaphragm pressure will increase the flow by 154% of the previous value, no matter where you start. This allows for precise control at high pressure drops throughout the valve's range of position.

Application: Throttling service.

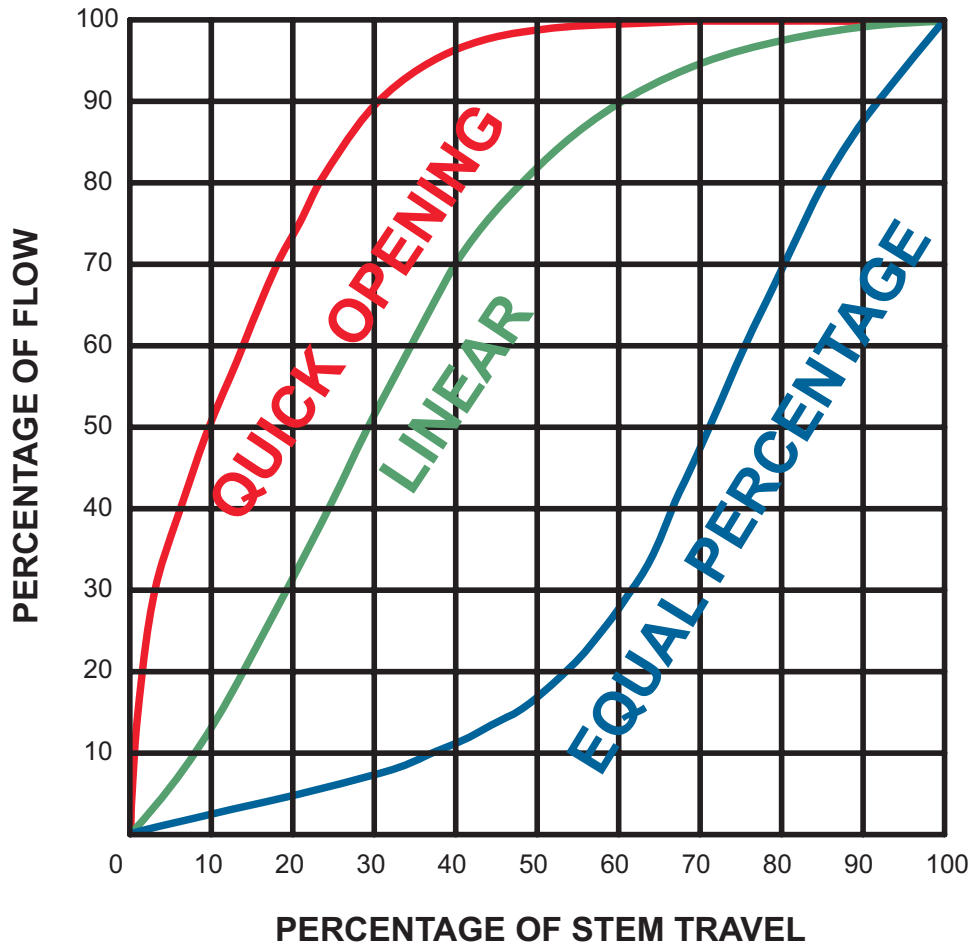
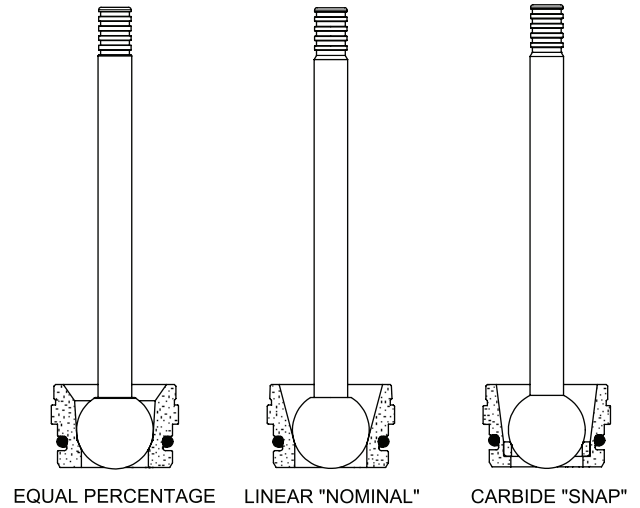
#### Linear "Nominal" Trim:

The characteristic could be described as "quick opening, semi-linear". Application: On / off service where abrasive material is not present in the media stream. May be used for throttling liquid service, though Equal Percentage trim would provide smoother control at higher pressure drops.

#### Carbide "Quick Opening" Trim:

The seat is designed so that the maximum Cv is reached with a minimal amount of closure member travel. Quick opening will have a carbide ring brazed in the bottom of the seat and the stem ball will have one lapping ring around it.

Applications: On / off service. Highly abrasive service.



All Pictures shown are for illustration purpose only. Actual product may vary due to product enhancement.

VALVE	FLOW CHARACTERISTIC	MATERIAL	INNER VALVE SIZE					
			1/8"	3/16"	1/4"	3/8"	1/2"	
1" SMA & 1" SMT	LINEAR "NOMINAL" FLOW	TOOL STEEL* <sup>a</sup>	T2842	T2841	T2840	T2838	T2839	
		17-4PH <sup>d</sup>	T2842PH	T2841PH	T2840PH	T2838PH	T2839PH	
		316SS <sup>c</sup>	T2842SS6	T2841SS6	T2840SS6	T2838SS6	T2839SS6	
	EQUAL PERCENTAGE	CARBIDE "QUICK OPENING"	CARB. INSERT	T2856	T2855	T2854	T2853	T5307
			TOOL STEEL*	T6400		T4730 <sup>a</sup>		T4732 <sup>a</sup>
			316SS <sup>c</sup>	T6400SS6		T4730SS6		T4732SS6
		ZIRCONIA			T4730ZR		T4732ZR	
1" SMS	LINEAR "NOMINAL" FLOW	TOOL STEEL* <sup>a</sup>			T1202	T1234	T1977	
		316SS <sup>c</sup>			T1202SS6	T1234SS6	T1977SS6	
	CARBIDE "QUICK OPENING"	CARB. INSERT <sup>a</sup>			T1463	T1462	T5325	
1" MV	EQUAL PERCENTAGE	TOOL STEEL* <sup>a</sup>			T4730MV		T4732MV	
		316SS <sup>c</sup>			T4730SS6MV		T4732SS6MV	
		ZIRCONIA			T4730ZRMV		T4732ZRMV	
VALVE	FLOW CHARACTERISTIC	MATERIAL	INNER VALVE SIZE					
			1/4"	3/8"	1/2"	3/4"	1"	
2" SMA & 2" SMT	LINEAR "NOMINAL" FLOW	TOOL STEEL*	T2895 <sup>a</sup>	T2896 <sup>a</sup>	T2897 <sup>a</sup>	T2898 <sup>b</sup>	T2899 <sup>b</sup>	
		17-4PH <sup>d</sup>	T2895PH	T2896PH	T2897PH	T2898PH	T2899PH	
		316SS <sup>c</sup>		T2896SS6	T2897SS6	T2898SS6	T2899SS6	
		ZIRCONIA					T2899ZR	
	CARBIDE "QUICK OPENING"	CARB INSERT	T2890	T2891	T2892	T4690	T4691	
		ZIRCONIA		T2891ZR		T4690ZR		
VALVE	FLOW CHARACTERISTIC	MATERIAL	INNER VALVE SIZES					
			1/4"	7/16"	5/8"	7/8"	1"	
2" SMA & 2" SMT	EQUAL PERCENTAGE	TOOL STEEL*	T6404	T2993 <sup>a</sup>	T2992 <sup>b</sup>	T2947 <sup>b</sup>		
		17-4PH <sup>d</sup>	T6404PH	T2993PH	T2992PH	T2947PH		
		316SS <sup>c</sup>	T6404SS6	T2993SS6	T2992SS6	T2947SS6		
		ZIRCONIA		T2993ZR	T2992ZR	T2947ZR		
2" MV	EQUAL PERCENTAGE	TOOL STEEL* <sup>a</sup>	T6404MV	T2993MV	T2992MV	T2947MV		
		17-4PH <sup>d</sup>				T2947PHMV		
		316SS <sup>c</sup>	T6404S6MV	T2993S6MV	T2992S6MV	T2947S6MV		
		ZIRCONIA		T2993ZRMV	T2992ZRMV	T2947ZRMV		

<sup>a</sup>Carbide ball rigidly connected to a 303SS stem  
<sup>b</sup>Hardened high chrome alloy ball connected to a 303SS stem  
<sup>c</sup>One piece 316SS steel stem  
<sup>d</sup>One piece 17-4 PH SS steel stem  
\*Seat and Plug furnished with Standard HPCV

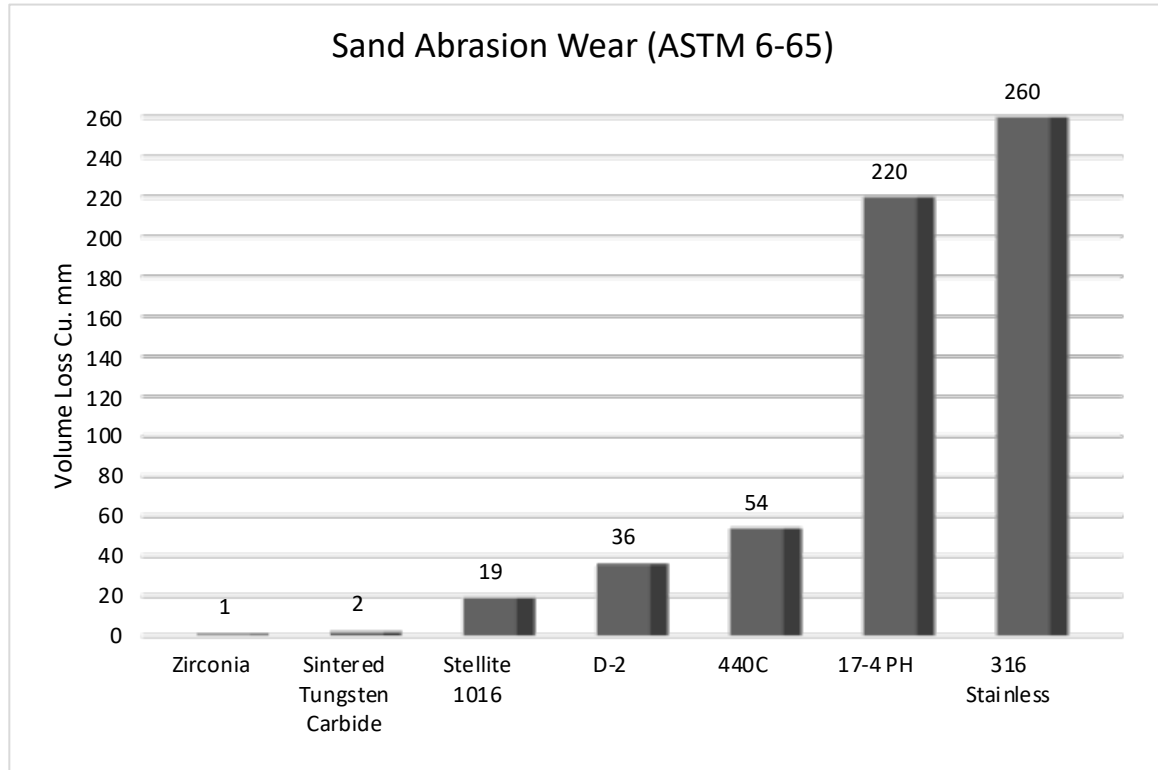


Figure 1

### Valve Trim & Inner Valve Material Abrasion Resistance

The abrasion resistance of common inner valve materials varies (seat, ball, trim sets, ratio plug, piston). A standard ASTM G-65 test can be used to compare the abrasion resistance of valve plug materials using silica sand as abrasive.

In the ASTM G-65 procedure A, fine silica sand is introduced at a specified rate between the wear sample and a rubber wheel that is spinning in contact with the wear sample. The rubber wheel carries the sand across the surface of the wear sample for a specified period of time, abrading the surface. Volume loss is then calculated for the wear sample.

#### References

Budinski, Kenneth G., and Michael K. Budinski. *Engineering Materials: Properties and Selection*. 8th ed. Upper Saddle River, NJ: Prentice Hall, 2005. Print.

\*(ASTM G-65, table x1.2 Volume Loss Range) .

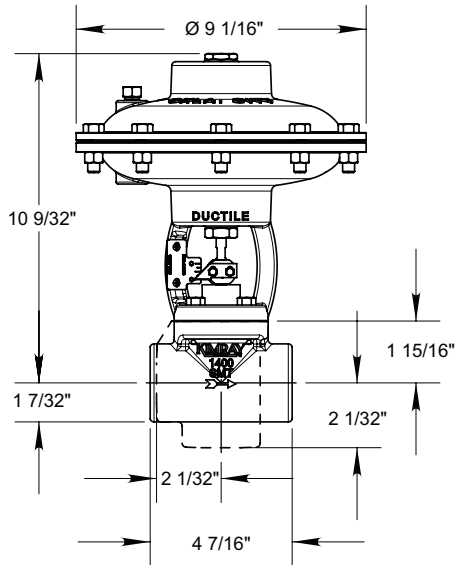
Table 1 - Flow Coefficient(Cv)														
Line Size	Trim Size in. (mm)	Trim Type	Cf	Valve Opening Percentage										
				10	20	30	40	50	60	70	80	90	100	
<b>Stem Guided</b>														
1"	1/8 in (3.17 mm)	Linear (Nominal)	0.58	0.10	0.40	0.50	0.70	0.90	1.00	1.00	1.00	1.10	1.10	
	3/16 in (4.74 mm)		0.59	0.20	0.50	0.77	1.00	1.30	1.40	1.50	1.50	1.50	1.50	
	1/4 in (6.35 mm)		0.78	0.28	0.72	1.11	1.50	1.80	1.95	2.08	2.13	2.15	2.17	
	3/8 in (9.52 mm)		0.91	0.40	1.10	1.60	2.20	2.70	2.90	3.10	3.20	3.20	3.20	
	1/2 in (12.7 mm)		0.94	0.70	1.90	2.90	4.00	4.80	5.20	5.50	5.60	5.70	5.70	
2"	1/4 in (6.35 mm)		0.55	0.40	1.00	1.50	2.00	2.50	2.70	2.80	2.90	2.90	3.00	
	3/8 in (9.52 mm)		0.77	0.53	1.33	2.06	2.80	3.40	3.60	3.90	4.00	4.00	4.00	
	1/2 in (12.7 mm)		0.78	0.94	2.38	3.67	4.97	5.98	6.48	6.91	7.06	7.13	7.20	
	3/4 in (19.0 mm)		0.80	1.60	4.00	6.20	8.40	10.10	11.00	12.00	12.00	12.00	12.00	
	1 in (25.4 mm)		0.77	2.80	7.00	11.00	15.00	18.00	19.00	20.00	21.00	21.00	21.00	
1"	1/8 in (3.17 mm)		Quick Opening (Carbide)	0.73	0.39	0.40	0.40	0.40	0.40	0.40	0.40	0.40	0.40	0.40
	3/16 in (4.74 mm)			0.74	0.77	0.90	0.92	0.92	0.92	0.92	0.92	0.92	0.92	0.92
	1/4 in (6.35 mm)			0.68	0.88	1.51	1.67	1.71	1.73	1.73	1.74	1.74	1.74	1.74
	3/8 in (9.52 mm)	0.74		1.02	2.40	3.36	3.64	3.73	3.78	3.82	3.83	3.83	3.86	
	1/2 in (12.7 mm)	0.90		1.09	2.46	4.17	5.03	5.27	5.45	5.60	5.72	5.85	5.93	
2"	1/4 in (6.35 mm)	0.65		1.23	1.82	1.87	1.87	1.87	1.87	1.87	1.87	1.87	1.87	
	3/8 in (9.52 mm)	0.76		1.65	3.41	3.77	3.83	3.84	3.84	3.84	3.84	3.84	3.84	
	1/2 in (12.7 mm)	0.80		2.26	4.35	5.87	6.36	6.51	6.58	6.61	6.63	6.63	6.63	
	3/4 in (19.0 mm)	0.78		2.16	4.61	7.23	9.19	10.2	10.6	10.9	10.9	10.9	10.9	
	1 in (25.4 mm)	0.70		2.54	5.58	9.30	12.3	14.2	15.1	15.5	15.6	15.6	15.8	
1"	1/8 in (3.17 mm)	Equal Percentage		0.73	0.01	0.02	0.03	0.04	0.06	0.09	0.15	0.26	0.32	0.34
	1/4 in (6.35 mm)			0.66	0.05	0.10	0.14	0.19	0.29	0.58	0.93	1.27	1.63	1.99
	1/2 in (12.7 mm)			0.78	0.16	0.32	0.47	0.60	0.93	1.74	2.99	4.41	5.65	6.49
2"	1/4 in (6.35 mm)		0.65	0.10	0.14	0.19	0.23	0.27	0.55	0.82	1.12	1.62	1.72	
	7/16 in (11.1 mm)		0.60	0.10	0.30	0.50	0.70	1.00	1.50	2.60	3.80	4.80	5.40	
	5/8 in (15.8 mm)		0.58	0.30	0.50	0.90	1.10	1.40	2.30	3.90	6.40	8.70	10.80	
	7/8 in (22.2 mm)		0.66	0.40	0.90	1.57	2.10	3.00	4.20	6.30	9.60	13.00	17.00	
<b>Cage Guided</b>														
2"	1 1/2 in (38mm)		Equal Percentage	0.75	0.60	1.30	2.20	3.40	5.00	8.60	14.0	21.0	26.0	28.6
	2 in (51 mm)	0.76		2.00	4.00	6.00	8.00	11.0	20.0	33.0	45.0	51.0	57.0	
3"	2 in (51 mm)	0.75		2.90	4.90	7.40	9.50	12.0	17.4	28.9	40.8	48.1	52.6	
	3 in (76 mm)	0.76		4.00	6.00	10.0	13.0	16.0	26.0	54.0	83.0	97.0	107	
4"	3 in (76 mm)	0.75		4.00	6.00	9.00	12.0	16.0	25.0	52.0	81.0	95.0	115	
	4 in (102 mm)	0.75		9.00	13.0	18.0	26.0	36.0	64.0	104	148	197	222	
6"	4 in (102 mm)	0.75		9.00	13.0	18.0	26.0	36.0	64.0	104	148	197	222	
	6 in (152 mm)	0.75		7.00	20.0	45.0	78.0	108	140	222	318	399	431	
8"	6 in (152 mm)	0.75		47.0	60.0	90.0	106	119	139	173	243	294	453	
	8 in (203 mm)	0.75		51.0	53.0	235	362	485	584	665	699	745	810	
10"	6 in (152 mm)	0.75		26.0	37.0	46.0	53.0	56.0	58.0	104	146	655	655	
	8.5 in (216 mm)	0.75		28.0	72.0	420	509	632	678	769	814	832	1091	
8"	8 in (203 mm)	Modified E.P.		0.75	51.0	55.0	64.0	134	162	330	452	527	571	630
10"	8.5 in (216 mm)		0.75	21.0	22.0	27.0	103	209	429	596	663	695	884	
2"	2 in (51 mm)	Quick Open	0.76	0.80	1.50	6.10	13.0	20.2	27.6	35.6	42.4	48.8	53.0	
3"	3 in (76 mm)		0.76	5.10	21.3	42.4	63.8	83.0	97.7	105	111	113	115	
4"	4 in (102 mm)		0.75	8.20	43.8	80.0	119	170	211	237	247	252	253	

# HIGH PRESSURE CONTROL VALVES

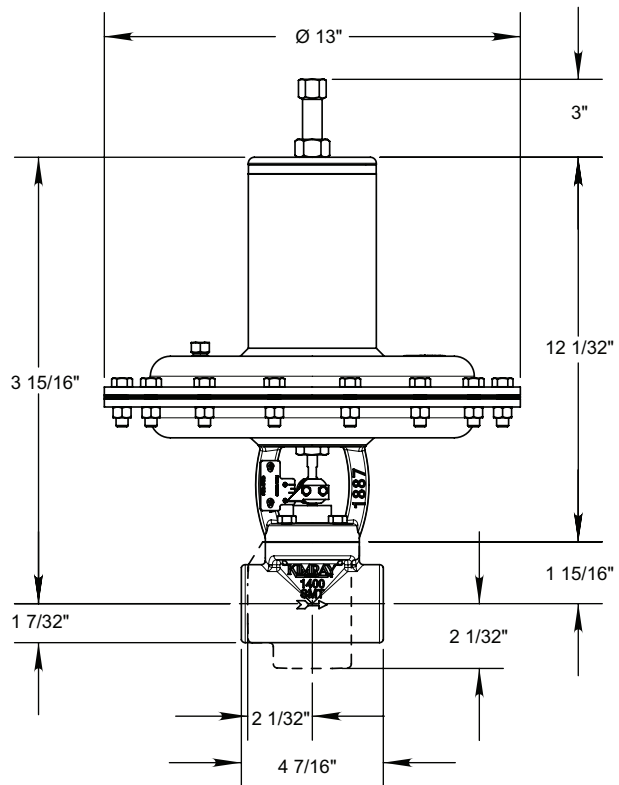


## DIMENSIONS 1" MODEL CVS

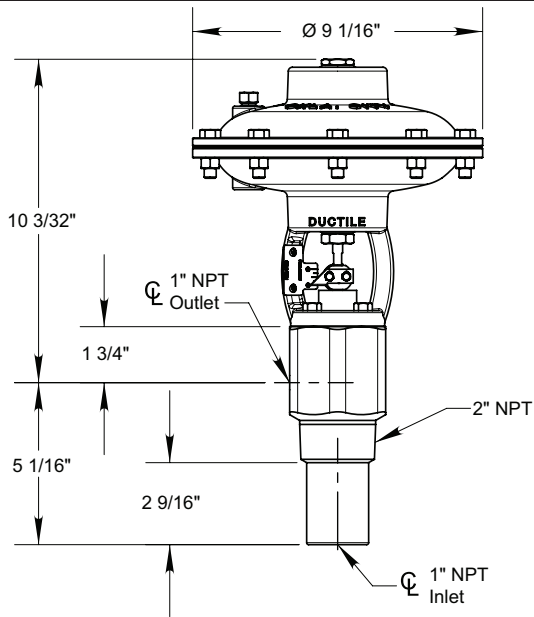
1" HPCV



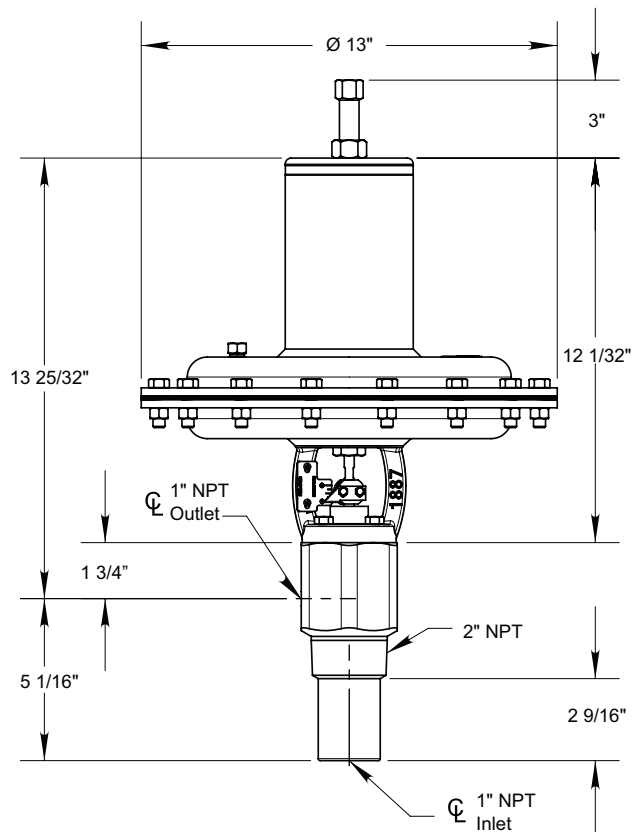
1" HPCV -65 TOPWORKS



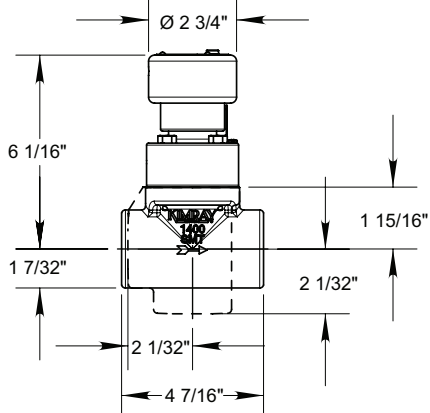
1" SMS



1" SMS -65 TOPWORKS

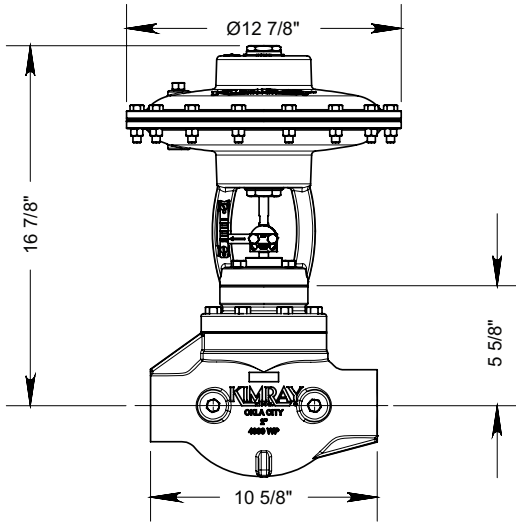


1" SMVA/T

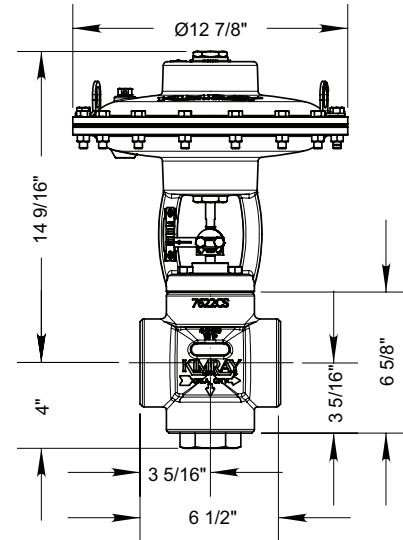


All Pictures shown are for illustration purpose only. Actual product may vary due to product enhancement.

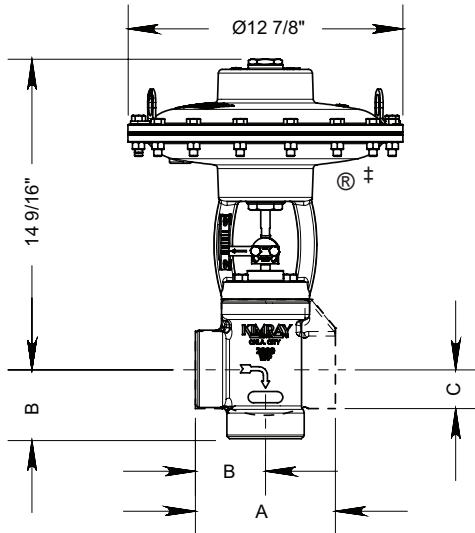
**2" HPCV PB**



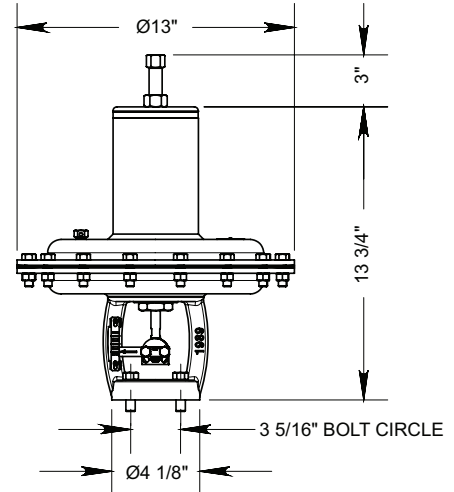
**2" SMD**



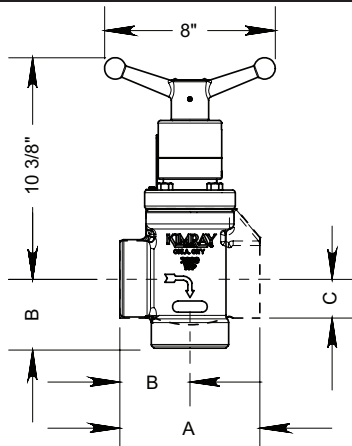
**2" HPCV**



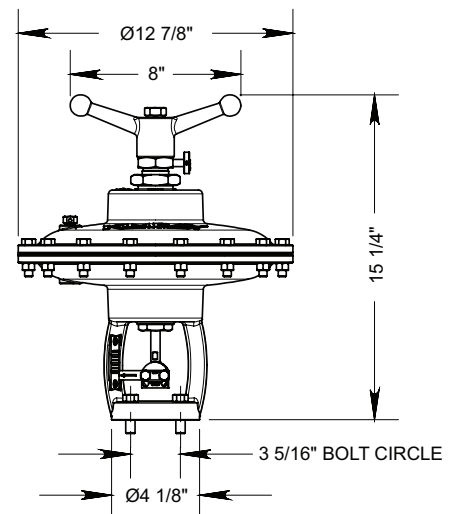
**2" -65 TOPWORKS**



**2" SMVA/T TOPWORKS**



**2" MVP TOPWORKS**



MODEL NO.	A	B	C
2200	6 9/16"	3 9/32"	1 13/16"
2400	6 9/16"	3 9/32"	2 1/16"

All dimensions are in inches  
Flanged body dimensions available on request.

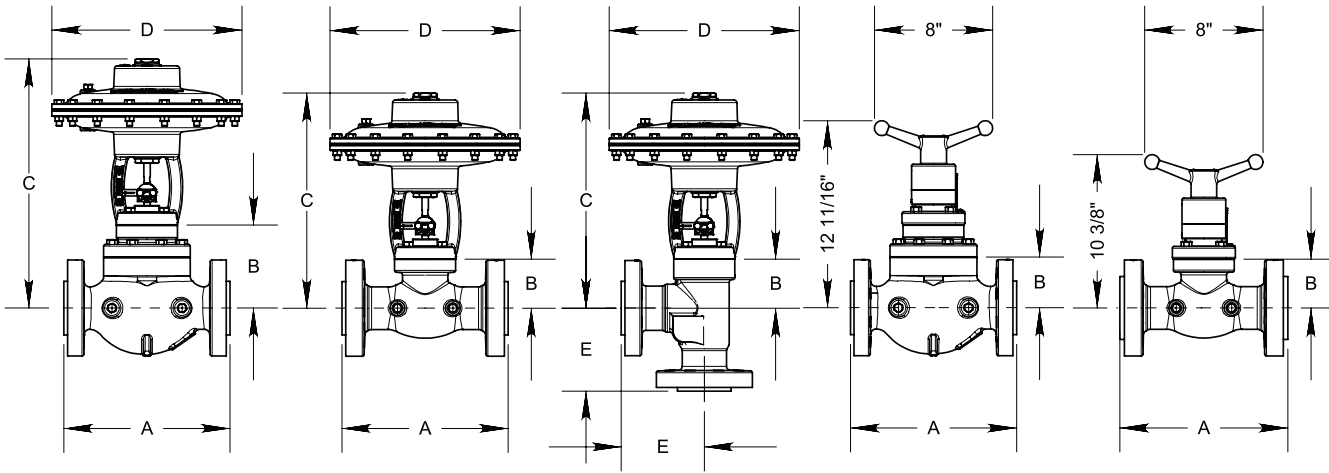
All Pictures shown are for illustration purpose only. Actual product may vary due to product enhancement.  
‡ Configuration of High Pressure Control Valve is a trademark of Kimray, Inc.  
[www.kimray.com](http://www.kimray.com)

# HIGH PRESSURE CONTROL VALVES



## DIMENSIONS

### FLANGED BODY MODEL CVS & CVC



	SIZE	BODY STYLE	A	B	C	D	E
STEM GUIDED	1"	150RF	7 1/4"	1 15/16"	10 1/2"	9 1/8"	
		150RTJ	7 5/8"	1 15/16"	10 1/2"	9 1/8"	
		300RF	7 3/4"	1 15/16"	10 1/2"	9 1/8"	
		300RTJ	8 1/8"	1 15/16"	10 1/2"	9 1/8"	
		600RF	8 1/4"	1 15/16"	10 1/2"	9 1/8"	
		600RTJ	8 1/4"	1 15/16"	10 1/2"	9 1/8"	
		1500RF	10 3/4"	1 15/16"	10 1/2"	9 1/8"	
	1500RTJ	10 3/4"	1 15/16"	10 1/2"	9 1/8"		
	2"	150RF	10"	3 3/16"	14 1/2"	12 7/8"	5"
		150RTJ	10 3/8"	3 3/16"	14 1/2"	12 7/8"	5"
		300RF	10 1/2"	3 3/16"	14 1/2"	12 7/8"	5 1/2"
		300RTJ	11"	3 3/16"	14 1/2"	12 7/8"	5 1/4"
		600RF	11 1/4"	3 3/16"	14 1/2"	12 7/8"	5 5/8"
		600RTJ	11 3/8"	3 3/16"	14 1/2"	12 7/8"	5 5/8"
		1500RF	13 3/8"	3 3/16"	14 1/2"	12 7/8"	7 13/32"
	1500RTJ	13 1/2"	3 3/16"	14 1/2"	12 7/8"	7 13/32"	
	2500RTJ	16 3/8"	3 3/16"	14 1/2"	12 7/8"		
2-1/16 API 5000	14 3/4"	4 1/4"	14 1/2"	12 7/8"	7 3/8"		
CAGE GUIDED	2"	150RF	10"	5 5/8"	17"	12 7/8"	
		300RF	10 1/2"	5 5/8"	17"	12 7/8"	
		600RF	11 1/4"	5 5/8"	17"	12 7/8"	
		1500RF	13 3/8"	5 5/8"	17"	12 7/8"	
		1500RTJ	13 1/2"	5 5/8"	17"	12 7/8"	
	3"	150RF	11 3/4"	7 1/4"	27"	15 3/4"	
		300RF	12 1/2"	7 1/4"	27"	15 3/4"	
		600RF	13 1/4"	7 1/4"	27"	15 3/4"	
		600RTJ	13 3/8"	7 1/4"	27"	15 3/4"	
	4"	150RF	13 7/8"	11"	30"	15 3/4"	
		300RF	14 1/2"	11"	30"	15 3/4"	
		600RF	15 1/2"	11"	30"	15 3/4"	
	6"	150RF	17 3/4"	11 3/16"	34 1/2"	20 7/16"	
		300RF	18 5/8"	11 3/16"	34 1/2"	20 7/16"	
		600RF	20 1/16"	11 3/16"	34 1/2"	20 7/16"	
	8"	150RF	21 3/8"	11 5/16"	34 1/2"	20 1/2"	
		300RF	22 3/8"	11 5/16"	34 1/2"	20 1/2"	
600RF		24"	11 5/16"	34 1/2"	20 1/2"		
10"	150RF	26 1/2"	11 5/16"	34 1/2"	20 1/2"		
	300RF	27 7/8"	11 5/16"	34 1/2"	20 1/2"		
	600RF	29 9/16"	11 5/16"	34 1/2"	20 1/2"		

All Pictures shown are for illustration purpose only. Actual product may vary due to product enhancement.



Table 2 - Seal Options		
Part	Standard Material	Optional Material
Diaphragm	Nitrile	FKM
Packing Rings	Nitrile	FKM, Aflas, HSN, Graphite
Packing Sleeve	Teflon	
O-rings	Nitrile	FKM, Aflas, HSN
Seal Ring	Polyurethane	Aflas

Table 3 - Seal Specifications							
		NITRILE	HIGHLY SATURATED NITRILE	FKM	AFLAS®	TEFLON	GRAPHITE PACKING
<b>Kimray Suffix</b>		-	HSN	V	AF	T	G
<b>Resistance</b>	<b>Abrasion</b>	G	G-E	G	G	E	PF
	<b>Acid</b>	F	G-E	G-E	E	E	G
	<b>Chemical</b>	F	F	E	E	E	E
	<b>Cold</b>	G	G	P	P	E	E
	<b>Flame</b>	P	P	E	E	P	E
	<b>Heat</b>	G	E	E	E	E	E
	<b>Oil</b>	G-E	E	E	E	E	E
	<b>Ozone</b>	P	G	G-E	E	E	F
	<b>Set</b>	G	G	G-E	P	P	G
	<b>Tear</b>	F	F	F	P	E	P
	<b>Water/Steam</b>	F	E	P	G	E	E
	<b>Weather</b>	F	G	E	E	E	E
	<b>CO2</b>	F-G	G	G	G	E	E
	<b>H2S</b>	P	F	P	E	E	E
<b>Methanol</b>	F	E	P	P	E	E	
<b>Properties</b>	<b>Dynamic</b>	G	G	G	G	P	E
	<b>Electrical</b>	F	F	F	G-E	E	Conductive
	<b>Impermeability</b>	G	G	G	G	E	G
	<b>Tensile Strength</b>	G	G-E	G	F	E	P
<b>Temp. Range</b>		-20° to +250°F	-20° to +300°F	-15° to +400°F	+15° to +450°F	-450° to +500°F	-328° to +850°F
		-29° to +121°C	-29° to +149°C	-26° to +204°C	-9° to +232°C	-268° to +260°C	-200° to +455°C
RATINGS: P-POOR, F-FAIR, G-GOOD, E-EXCELLENT							

<b>Table 5 - Material Options Stem Guided</b>			
<b>Part Description</b>	<b>Standard Material</b>	<b>Erosive Material</b>	<b>Corrosive Material</b>
Body	WCB (ASTM A216)		WCB (ASTM A216) ‡
Actuator	Ductile (ASTM A395)		
Stuffing Box	Carbon Steel (ASTM A105)		316SS (ASTM A479)
Cage	Alloy Steel (ASTM A108)		316SS (ASTM A479)
Stem	303SS (ASTM A582)		316SS (ASTM A479)
Plug*	Chrome Alloy	Tungsten Carbide	316SS (ASTM A479)
Seat	D-2 (ASTM A681)	Zirconia	316SS (ASTM A479)
Cover Bonnet (Metering Valve)	WCB (ASTM A216)		

\*Material can vary by trim size. See Page 01:200.2

‡ Coated Parts available with "K" service type

<b>Table 6 - Material Options Cage Guided</b>			
<b>Part Description</b>	<b>Standard Material</b>	<b>Erosive Material</b>	<b>Corrosive Material</b>
Body	WCB (ASTM A216)		WCB (ASTM A216) ‡
Actuator	Ductile (ASTM A395)		
Stuffing Box	2" - 4"	Carbon Steel (ASTM A105)	316SS (ASTM A479)
	6" - 10"	316SS (ASTM A479)	
Cover Bonnet (Upper Housing)	WCB (ASTM A216)		WCB (ASTM A216) ‡
Cage	2 & 3 inch 316SS (ASTM A479)	4-10 inch 316SS (ASTM A351 CF8M)	
Stem	316SS (ASTM A479)	303SS (ASTM A582)	316SS (ASTM A479)
Piston	316SS (ASTM A479)	D-2 (ASTM A597)	316SS (ASTM A479)
Seat Disc	D2 (ASTM A681)	Zirconia	316SS (ASTM A479)
Ratio Plug	D-2 (ASTM A597)		316SS (ASTM A351 CF8M)
Seat	D-2 (ASTM A681)		316SS (ASTM A479)
Bonnet (Metering Valve)	WCB (ASTM A216)		

‡ Coated Parts available with "K" service type

**Table 6 - 1" Stem Guided HPCV**

Valve Description	ΔP	0 psig (0 bar)		100 psig (6.8 bar)		500 psig (34.4 bar)		1000 psig (68.9 bar)		1500 psig (103.4 bar)	
	Spring	Crack	Full	Crack	Full	Crack	Full	Crack	Full	Crack	Full
1400 SMT PO 1/8" IV	621 (10 lbs)	3 psig (0.21 bar)	9.5 psig (0.66 bar)	3 psig (0.21 bar)	9 psig (0.62 bar)	3 psig (0.21 bar)	8.5 psig (0.59 bar)	2 psig (0.13 bar)	7 psig (0.48 bar)	2 psig (0.13 bar)	6 psig (0.41 bar)
	463 (20 lbs)	6.5 psig (0.44 bar)	20.5 psig (1.41 bar)	6 psig (0.41 bar)	20 psig (1.37 bar)	6 psig (0.41 bar)	19.5 psig (1.34 bar)	5.5 psig (0.37 bar)	18 psig (1.24 bar)	5.5 psig (0.37 bar)	17.5 psig (1.20 bar)
	464 (30 lbs)	9.5 psig (0.65 bar)	34 psig (2.34 bar)	9.5 psig (0.65 bar)	34 psig (2.34 bar)	9 psig (0.62 bar)	33 psig (2.27 bar)	9 psig (0.62 bar)	32 psig (2.20 bar)	8.5 psig (0.58 bar)	31 psig (2.13 bar)
1400 SMT PO 1/8" IV EP	621 (10 lbs)	3.5 psig (0.23 bar)	10 psig (0.68 bar)	3.5 psig (0.23 bar)	10 psig (0.68 bar)	3 psig (0.21 bar)	8.5 psig (0.58 bar)	2.5 psig (0.17 bar)	7.5 psig (0.51 bar)	2 psig (0.13 bar)	6 psig (0.41 bar)
	463 (20 lbs)	7 psig (0.48 bar)	21.5 psig (1.48 bar)	7 psig (0.48 bar)	21 psig (0.44 bar)	6.5 psig (0.44 bar)	19.5 psig (1.34 bar)	6 psig (0.41 bar)	18.5 psig (1.27 bar)	6 psig (0.41 bar)	17.5 psig (1.20 bar)
	464 (30 lbs)	12.5 psig (0.86 bar)	38 psig (2.61 bar)	12.5 psig (0.86 bar)	38 psig (2.61 bar)	11 psig (0.75 bar)	35.5 psig (2.44 bar)	10.5 psig (0.72 bar)	34.5 psig (2.37 bar)	10 psig (0.68 bar)	33 psig (2.27 bar)
1400 SMT PO 3/16" IV	621 (10 lbs)	3.5 psig (0.23 bar)	10.5 psig (0.72 bar)	3.5 psig (0.23 bar)	10 psig (0.68 bar)	3.5 psig (0.23 bar)	9 psig (0.62 bar)	3.5 psig (0.23 bar)	7.5 psig (0.51 bar)	3 psig (0.21 bar)	6.5 psig (0.44 bar)
	463 (20 lbs)	6.5 psig (0.44 bar)	21.5 psig (1.48 bar)	6.5 psig (0.44 bar)	21 psig (1.44 bar)	7.5 psig (0.51 bar)	21 psig (1.44 bar)	7 psig (0.48 bar)	19.5 psig (1.34 bar)	7 psig (0.48 bar)	18.5 psig (1.27 bar)
	464 (30 lbs)	11 psig (0.75 bar)	36 psig (2.48 bar)	10.5 psig (0.72 bar)	36 psig (2.48 bar)	11 psig (0.75 bar)	35 psig (2.41 bar)	11 psig (0.75 bar)	34 psig (2.34 bar)	10.5 psig (0.72 bar)	32.5 psig (2.23 bar)
1400 SMT PO 1/4" IV	621 (10 lbs)	3 psig (0.21 bar)	9.5 psig (0.65 bar)	3 psig (0.21 bar)	9 psig (0.62 bar)	3 psig (0.21 bar)	8.5 psig (0.58 bar)	2.5 psig (0.17 bar)	7.5 psig (0.51 bar)	2.5 psig (0.17 bar)	6.5 psig (0.44 bar)
	463 (20 lbs)	6 psig (0.41 bar)	20.5 psig (1.41 bar)	6 psig (0.41 bar)	20 psig (1.37 bar)	6 psig (0.41 bar)	19.5 psig (1.34 bar)	5.5 psig (0.37 bar)	18 psig (1.24 bar)	5.5 psig (0.37 bar)	17 psig (1.20 bar)
	464 (30 lbs)	10 psig (0.68 bar)	35 psig (2.41 bar)	10 psig (0.68 bar)	35 psig (2.42 bar)	10 psig (0.68 bar)	34 psig (2.34 bar)	9.5 psig (0.65 bar)	33 psig (2.27 bar)	9 psig (0.62 bar)	32 psig (2.20 bar)
1400 SMT PO 1/4" IV EP	621 (10 lbs)	3 psig (0.20 bar)	10 psig (0.68 bar)	3 psig (0.20 bar)	9.5 psig (0.65 bar)	2.5 psig (0.17 bar)	8 psig (0.55 bar)	2.5 psig (0.17 bar)	7 psig (0.48 bar)	2 psig (0.13 bar)	6 psig (0.41 bar)
	463 (20 lbs)	6.5 psig (0.44 bar)	21.5 psig (1.48 bar)	6.5 psig (0.44 bar)	20 psig (1.37 bar)	6 psig (0.41 bar)	20 psig (1.37 bar)	6 psig (0.41 bar)	18.5 psig (1.27 bar)	6 psig (0.41 bar)	17.5 psig (1.20 bar)
	464 (30 lbs)	12 psig (0.83 bar)	40 psig (2.75 bar)	11.5 psig (0.79 bar)	39 psig (2.68 bar)	9.5 psig (0.66 bar)	35 psig (2.42 bar)	9 psig (0.62 bar)	33 psig (2.27 bar)	9 psig (0.62 bar)	32 psig (2.20 bar)
1400 SMT PO 3/8" IV SNAP	621 (10 lbs)	4.5 psig (0.31 bar)	10.5 psig (0.72 bar)	4.5 psig (0.31 bar)	10.5 psig (0.72 bar)	5.5 psig (0.38 bar)	9.5 psig (0.66 bar)	6.5 psig (0.44 bar)	8 psig (0.55 bar)	7.5 psig (0.51 bar)	7 psig (0.48 bar)
	463 (20 lbs)	7 psig (0.48 bar)	21.5 psig (1.48 bar)	7 psig (0.48 bar)	21 psig (1.44 bar)	9.5 psig (0.65 bar)	21 psig (0.44 bar)	10.5 psig (0.72 bar)	20 psig (1.37 bar)	11 psig (0.75 bar)	19 psig (1.31 bar)
	464 (30 lbs)	11 psig (0.75 bar)	35 psig (2.41 bar)	11 psig (0.75 bar)	35 psig (2.41 bar)	13 psig (0.89 bar)	35 psig (2.42 bar)	14 psig (0.97 bar)	33 psig (2.27 bar)	15.5 psig (1.06 bar)	32 psig (2.20 bar)
1400 SMT PO 3/8" IV	621 (10 lbs)	3 psig (0.20 bar)	9 psig (0.62 bar)	3 psig (0.20 bar)	9 psig (0.62 bar)	5 psig (0.34 bar)	9 psig (0.62 bar)	6.5 psig (0.44 bar)	7.5 psig (0.51 bar)	7.5 psig (0.51 bar)	6.5 psig (0.44 bar)
	463 (20 lbs)	6 psig (0.41 bar)	20.5 psig (1.41 bar)	6 psig (0.41 bar)	20 psig (1.37 bar)	8.5 psig (0.58 bar)	21 psig (0.44 bar)	9.5 psig (0.65 bar)	20 psig (1.37 bar)	10.5 psig (0.72 bar)	18.5 psig (1.27 bar)
	464 (30 lbs)	9.5 psig (0.66 bar)	34 psig (2.34 bar)	9.5 psig (0.66 bar)	34 psig (2.34 bar)	11.5 psig (0.79 bar)	33 psig (2.27 bar)	12.5 psig (0.85 bar)	32 psig (2.20 bar)	13.5 psig (0.93 bar)	31 psig (2.14 bar)
1400 SMT PO 1/2" IV	621 (10 lbs)	3 psig (0.20 bar)	10.5 psig (0.72 bar)	3 psig (0.20 bar)	10 psig (0.68 bar)	5.5 psig (0.38 bar)	8.5 psig (0.58 bar)	7 psig (0.48 bar)	7.5 psig (0.51 bar)	9 psig (0.62 bar)	6.5 psig (0.44 bar)
	463 (20 lbs)	6.5 psig (0.44 bar)	21 psig (0.44 bar)	6 psig (0.41 bar)	20.5 psig (1.41 bar)	8.5 psig (0.58 bar)	19.5 psig (1.34 bar)	10 psig (0.68 bar)	18.5 psig (1.27 bar)	12 psig (0.83 bar)	17.5 psig (1.20 bar)
	464 (30 lbs)	11.5 psig (0.79 bar)	37 psig (2.54 bar)	11 psig (0.75 bar)	36 psig (2.48 bar)	13.5 psig (0.93 bar)	35 psig (2.41 bar)	15 psig (1.03 bar)	34 psig (2.34 bar)	17 psig (1.20 bar)	33 psig (2.27 bar)
1400 SMT PO 1/2" IV EP	621 (10 lbs)	3.5 psig (0.24 bar)	10 psig (0.68 bar)	3.5 psig (0.24 bar)	9.5 psig (0.66 bar)	7 psig (0.48 bar)	10 psig (0.68 bar)	7.5 psig (0.52 bar)	7.5 psig (0.51 bar)	9.5 psig (0.65 bar)	6 psig (0.41 bar)
	463 (20 lbs)	7 psig (0.48 bar)	21.5 psig (1.48 bar)	7.5 psig (0.51 bar)	21.5 psig (1.48 bar)	10.5 psig (0.72 bar)	21 psig (0.44 bar)	12.5 psig (0.86 bar)	20.5 psig (1.41 bar)	14 psig (0.97 bar)	19 psig (1.31 bar)
	464 (30 lbs)	11 psig (0.75 bar)	37 psig (2.54 bar)	11 psig (0.75 bar)	37 psig (2.54 bar)	14 psig (0.97 bar)	35 psig (2.41 bar)	16 psig (1.10 bar)	34 psig (2.34 bar)	18 psig (1.24 bar)	33 psig (2.27 bar)

**Table 7 - 2" Stem Guided HPCV**

Valve Description	ΔP	0 psig (0 bar)		100 psig (6.8 bar)		500 psig (34.4 bar)		1000 psig (68.9 bar)		1500 psig (103.4 bar)	
		Spring	Crack	Full	Crack	Full	Crack	Full	Crack	Full	Crack
2400 SMT PO 1/4" EP IV	1245 (15 lbs)	3.5 psig (0.24 bar)	15.5 psig (1.06 bar)	3 psig (0.20 bar)	15 psig (1.03 bar)	2.5 psig (0.17 bar)	15 psig (1.03 bar)	2 psig (0.13 bar)	14.5 psig (1.00 bar)	1.5 psig (0.10 bar)	13 psig (0.89 bar)
	538 (20 lbs)	3.5 psig (0.24 bar)	18 psig (1.24 bar)	3.5 psig (0.24 bar)	17.5 psig (1.20 bar)	3.5 psig (0.24 bar)	17.5 psig (1.20 bar)	2.5 psig (0.17 bar)	16.5 psig (1.13 bar)	1.5 psig (0.10 bar)	15 psig (1.03 bar)
	508 (30 lbs)	7.5 psig (0.52 bar)	32 psig (2.20 bar)	7 psig (0.48 bar)	32 psig (2.20 bar)	6.5 psig (0.44 bar)	31 psig (2.14 bar)	6 psig (0.41 bar)	30 psig (2.07 bar)	5.5 psig (0.38 br )	29 psig (2.00 bar)
2400 SMT PO 1/4" IV	1245 (15 lbs)	3.5 psig (0.24 bar)	16 psig (1.10 bar)	3.5 psig (0.24 bar)	16 psig (1.10 bar)	3 psig (0.20 bar)	14.5 psig (1.00 bar)	3 psig (0.20 bar)	13 psig (0.89 bar)	3 psig (0.20 bar)	12.5 psig (0.85 bar)
	538 (20 lbs)	4 psig (0.27 bar)	18.5 psig (1.27 bar)	3.5 psig (0.24 bar)	18.5 psig (1.27 bar)	3.5 psig (0.24 bar)	18 psig (1.24 bar)	3 psig (0.20 bar)	17.5 psig (1.20 bar)	3 psig (0.20 bar)	16.5 psig (1.13 bar)
	508 (30 lbs)	6.5 psig (0.44 bar)	32 psig (2.20 bar)	6.5 psig (0.44 bar)	33 psig (2.27 bar)	7 psig (0.48 bar)	31 psig (2.14 bar)	6.5 psig (0.44 bar)	30 psig (2.07 bar)	6.5 psig (0.44 bar)	29 psig (2.00 bar)
2400 SMT PO 1/4" IV SNAP	1245 (15 lbs)	3.5 psig (0.23 bar)	15.5 psig (1.06 bar)	4 psig (0.27 bar)	15.5 psig (1.06 bar)	3 psig (0.20 bar)	15 psig (1.03 bar)	2.5 psig (0.17 bar)	14.5 psig (1.00 bar)	2 psig (0.13 bar)	14 psig (0.97 bar)
	538 (20 lbs)	4 psig (0.27 bar)	18 psig (1.24 bar)	4 psig (0.27 bar)	18 psig (1.24 bar)	3 psig (0.20 bar)	17 psig (1.22 bar)	2.5 psig (0.17 bar)	17 psig (1.22 bar)	2 psig (0.13 bar)	16.5 psig (1.13 bar)
	508 (30 lbs)	6.5 psig (0.44 bar)	32 psig (2.20 bar)	7 psig (0.48 bar)	32 psig (2.20 bar)	6 psig (0.41 bar)	31 psig (2.14 bar)	5 psig (0.34 bar)	30 psig (2.07 bar)	4 psig (0.27 bar)	29 psig (2.00 bar)
2400 SMT PO 3/8" IV	1245 (15 lbs)	4 psig (0.27 bar)	16.5 psig (1.13 bar)	4 psig (0.27 bar)	16 psig (1.10 bar)	3.5 psig (0.23 bar)	16 psig (1.10 bar)	3.5 psig (0.23 bar)	15.5 psig (1.06 bar)	3.5 psig (0.23 bar)	15 psig (1.03 bar)
	538 (20 lbs)	4.5 psig (0.31 bar)	18 psig (1.24 bar)	4 psig (0.27 bar)	18 psig (1.24 bar)	4 psig (0.27 bar)	17 psig (1.22 bar)	4 psig (0.27 bar)	16.5 psig (1.13 bar)	4 psig (0.27 bar)	16.5 psig (1.13 bar)
	508 (30 lbs)	8 psig (0.55 bar)	32 psig (2.20 bar)	8 psig (0.55 bar)	32 psig (2.20 bar)	7.5 psig (0.51 bar)	32 psig (2.20 bar)	7.5 psig (0.51 bar)	31 psig (2.13 bar)	7.5 psig (0.51 bar)	30 psig (2.07 bar)
2400 SMT PO 3/8" IV SNAP	1245 (15 lbs)	4 psig (0.27 bar)	14.5 psig (1.00 bar)	3.5 psig (0.23 bar)	14.5 psig (1.00 bar)	4.5 psig (0.31 bar)	14 psig (0.97 bar)	4.5 psig (0.31 bar)	14 psig (0.97 bar)	4.5 psig (0.31 bar)	13.5 psig (0.93 bar)
	538 (20 lbs)	4 psig (0.27 bar)	17.5 psig (1.20 bar)	4 psig (0.27 bar)	17 psig (1.22 bar)	5 psig (0.34 bar)	17 psig (1.22 bar)	5 psig (0.34 bar)	16.5 psig (1.13 bar)	5 psig (0.34 bar)	16 psig (1.10 bar)
	508 (30 lbs)	7.5 psig (0.51 bar)	32 psig (2.20 bar)	7 psig (0.48 bar)	32 psig (2.20 bar)	8 psig (0.55 bar)	31 psig (2.13 bar)	8.5 psig (0.58 bar)	30 psig (2.07 bar)	8.5 psig (0.58 bar)	29 psig (2.00 bar)
2400 SMT PO 7/16" EP IV	1245 (15 lbs)	4 psig (0.27 bar)	15.5 psig (1.06 bar)	4 psig (0.27 bar)	15.5 psig (1.06 bar)	3.5 psig (0.23 bar)	15 psig (1.03 bar)	3.5 psig (0.23 bar)	14.5 psig (1.00 bar)	3.5 psig (0.23 bar)	14 psig (0.97 bar)
	538 (20 lbs)	4.5 psig (0.31 bar)	18.5 psig (1.31 bar)	4.5 psig (0.31 bar)	18.5 psig (1.27 bar)	4.5 psig (0.31 bar)	17.5 psig (1.20 bar)	4 psig (0.27 bar)	16 psig (1.10 bar)	4 psig (0.27 bar)	15 psig (1.03 bar)
	508 (30 lbs)	8 psig (0.55 bar)	32 psig (2.20 bar)	8 psig (0.55 bar)	31 psig (2.13 bar)	7.5 psig (0.51 bar)	30 psig (2.07 bar)	7.5 psig (0.51 bar)	29 psig (2.00 bar)	7.5 psig (0.51 bar)	28 psig (1.93 bar)
2400 SMT PO 1/2" IV	1245 (15 lbs)	4 psig (0.27 bar)	15 psig (1.03 bar)	4 psig (0.27 bar)	15 psig (1.03 bar)	4.5 psig (0.31 bar)	14.5 psig (1.00 bar)	5 psig (0.34 bar)	13.5 psig (0.93 bar)	5 psig (0.34 bar)	12 psig (0.83 bar)
	538 (20 lbs)	4 psig (0.27 bar)	17 psig (1.22 bar)	3.5 psig (0.23 bar)	16.5 psig (1.13 bar)	4.5 psig (0.31 bar)	16.5 psig (1.13 bar)	4.5 psig (0.31 bar)	15.5 psig (1.06 bar)	5 psig (0.34 bar)	14 psig (0.97 bar)
	508 (30 lbs)	7 psig (0.48 bar)	30 psig (2.07 bar)	7 psig (0.48 bar)	30 psig (2.07 bar)	8 psig (0.58 bar)	30 psig (2.07 bar)	8 psig (0.55 bar)	28 psig (1.93 bar)	8.5 psig (0.58 bar)	27 psig (1.86 bar)
2400 SMT 1/2" IV SNAP	1245 (15 lbs)	3 psig (0.20 bar)	16 psig (1.10 bar)	3 psig (0.20 bar)	15 psig (1.03 bar)	4.5 psig (0.31 bar)	14.5 psig (1.00 bar)	5 psig (0.34 bar)	14 psig (0.97 bar)	5 psig (0.34 bar)	13.5 psig (0.93 bar)
	538 (20 lbs)	3.5 psig (0.23 bar)	17 psig (1.22 bar)	3 psig (0.20 bar)	16.5 psig (1.13 bar)	4.5 psig (0.31 bar)	16 psig (1.10 bar)	5 psig (0.34 bar)	15 psig (1.03 bar)	5 psig (0.34 bar)	14.5 psig (1.00 bar)
	508 (30 lbs)	7 psig (0.48 bar)	32 psig (2.20 bar)	7.5 psig (0.51 bar)	32 psig (2.20 bar)	7.5 psig (0.51 bar)	31 psig (2.14 bar)	7.5 psig (0.51 bar)	30 psig (2.07 bar)	8 psig (0.55 bar)	29 psig (2.00 bar)
2400 SMT PO 5/8" EP IV	1245 (15 lbs)	4 psig (0.27 bar)	16 psig (1.10 bar)	4 psig (0.27 bar)	16 psig (1.10 bar)	6 psig (0.41 bar)	16.5 psig (1.13 bar)	7.5 psig (0.51 bar)	16 psig (1.10 bar)	8.5 psig (0.58 bar)	15.5 psig (1.06 bar)
	538 (20 lbs)	4 psig (0.27 bar)	19 psig (1.31 bar)	4 psig (0.27 bar)	19 psig (1.31 bar)	6.5 psig (0.44 bar)	18.5 psig (1.27 bar)	7.5 psig (0.51 bar)	17.5 psig (1.20 bar)	9 psig (0.62 bar)	17 psig (1.22 bar)
	508 (30 lbs)	8 psig (0.55 bar)	32 psig (2.20 bar)	8.5 psig (0.58 bar)	32 psig (2.20 bar)	10 psig (0.68 bar)	31 psig (2.14 bar)	11.5 psig (0.79 bar)	30 psig (2.06 bar)	12.5 psig (1.48 bar)	29 psig (2.00 bar)

2400 SMT PO 3/4" IV	1245 (15 lbs)	5 psig (0.34 bar)	17 psig (1.72 bar)	5 psig (0.34 bar)	17 psig (1.72 bar)	7.5 psig (0.51 bar)	14.5 psig (1.00 bar)	8.5 psig (0.58 bar)	13 psig (0.89 bar)	10 psig (0.68 bar)	12 psig (0.83 bar)
	538 (20 lbs)	5.5 psig (0.37 bar)	19 psig (1.31 bar)	5.5 psig (0.37 bar)	19 psig (1.31 bar)	7 psig (0.48 bar)	17 psig (1.72 bar)	9 psig (0.62 bar)	16 psig (1.10 bar)	11 psig (0.75 bar)	14 psig (0.97 bar)
	508 (30 lbs)	9 psig (0.62 bar)	34 psig (2.34 bar)	9 psig (0.62 bar)	34 psig (2.34 bar)	11 psig (0.75 bar)	33 psig (2.27 bar)	13 psig (0.89 bar)	32 psig (2.20 bar)	15 psig (1.03 bar)	30 psig (2.07 bar)
2400 SMT PO 3/4" IV SNAP	1245 (15 lbs)	4 psig (0.27 bar)	15 psig (1.03 bar)	4 psig (0.27 bar)	15 psig (1.03 bar)	6.5 psig (0.44 bar)	14.5 psig (0.96 bar)	8 psig (0.55 bar)	13.5 psig (0.93 bar)	9 psig (0.62 bar)	12 psig (0.83 bar)
	538 (20 lbs)	5 psig (0.34 bar)	18.5 psig (1.27 bar)	5 psig (0.34 bar)	18.5 psig (1.27 bar)	6.5 psig (0.44 bar)	16.5 psig (1.13 bar)	8 psig (0.55 bar)	15.5 psig (1.06 bar)	9.5 psig (0.66 bar)	14 psig (0.97 bar)
	508 (30 lbs)	9 psig (0.62 bar)	32 psig (2.20 bar)	9 psig (0.62 bar)	32 psig (2.20 bar)	10 psig (0.68 bar)	31 psig (2.14 bar)	11 psig (0.75 bar)	30 psig (2.07 bar)	12.5 psig (0.86 bar)	29 psig (2.00 bar)
2400 SMT PO 7/8" EP IV	1245 (15 lbs)	3.5 psig (0.23 bar)	15 psig (1.03 bar)	4 psig (0.27 bar)	15 psig (1.03 bar)	7 psig (0.48 bar)	14.5 psig (1.00 bar)	11 psig (0.75 bar)	14 psig (0.97 bar)	13.5 psig (0.93 bar)	13.5 psig (0.93 bar)
	538 (20 lbs)	3.5 psig (0.23 bar)	17.5 psig (1.20 bar)	4 psig (0.27 bar)	17.5 psig (1.20 bar)	7.5 psig (0.51 bar)	17 psig (1.72 bar)	10.5 psig (0.72 bar)	16.5 psig (1.13 bar)	13.5 psig (0.93 bar)	16 psig (1.10 bar)
	508 (30 lbs)	7 psig (0.48 bar)	30 psig (2.07 bar)	7.5 psig (0.51 bar)	30 psig (2.07 bar)	10.5 psig (0.72 bar)	29 psig (2.00 bar)	14 psig (0.97 bar)	28 psig (1.93 bar)	17 psig (1.72 bar)	27 psig (1.86 bar)
2400 SMT PO 1" IV	1245 (15 lbs)	4.5 psig (0.31 bar)	14.5 psig (1.00 bar)	5 psig (0.34 bar)	14 psig (0.97 bar)	8.5 psig (0.58 bar)	13 psig (0.89 bar)	12.5 psig (0.86 bar)	11.5 psig (0.79 bar)	16 psig (1.10 bar)	11 psig (0.75 bar)
	538 (20 lbs)	4.5 psig (0.31 bar)	17 psig (1.72 bar)	5 psig (0.34 bar)	17 psig (1.72 bar)	8.5 psig (0.58 bar)	16 psig (1.10 bar)	12.5 psig (0.86 bar)	15 psig (1.03 bar)	17 psig (1.72 bar)	14 psig (0.97 bar)
	508 (30 lbs)	7 psig (0.48 bar)	31 psig (2.14 bar)	7.5 psig (0.51 bar)	31 psig (2.14 bar)	12 psig (0.83 bar)	30 psig (2.07 bar)	16 psig (1.10 bar)	29 psig (2.00 bar)	19.5 psig (1.34 bar)	28 psig (1.93 bar)
2400 SMT PO 1" IV SNAP	1245 (15 lbs)	4.5 psig (0.31 bar)	16.5 psig (1.13 bar)	4.5 psig (0.31 bar)	16.5 psig (1.13 bar)	8.5 psig (0.58 bar)	15.5 psig (1.06 bar)	11.5 psig (0.79 bar)	15 psig (1.03 bar)	15 psig (1.03 bar)	15 psig (1.03 bar)
	538 (20 lbs)	4.5 psig (0.31 bar)	19 psig (1.31 bar)	4.5 psig (0.31 bar)	19 psig (1.31 bar)	8.5 psig (0.58 bar)	16 psig (1.10 bar)	11.5 psig (0.79 bar)	15.5 psig (1.06 bar)	15 psig (1.03 bar)	15 psig (1.03 bar)
	508 (30 lbs)	8 psig (0.55 bar)	32 psig (2.20 bar)	8 psig (0.55 bar)	32 psig (2.20 bar)	12 psig (0.83 bar)	31 psig (2.14 bar)	16 psig (1.10 bar)	30 psig (2.07 bar)	19.5 psig (1.34 bar)	29 psig (2.00 bar)

Table 8 - 2", 3", 4", 6", 8" & 10" Cage Guided HPCV											
Valve Description	ΔP	0 psig (0 bar)		100 psig (6.8 bar)		500 psig (34.4 bar)		1000 psig (68.9 bar)		1500 psig (103.4 bar)	
	Spring	Crack	Full	Crack	Full	Crack	Full	Crack	Full	Crack	Full
2150 SMT PB 2 IN IV	15 lbs	3 psig (0.21bar)	16 psig (1.1bar)	3.5 psig (0.24bar)	16 psig (1.1bar)	5.5 psig (0.38bar)	15 psig (1.03bar)	7.5 psig (0.52bar)	14 psig (0.97bar)	9.5 psig (0.66bar)	12 psig (0.83bar)
	20 lbs	3 psig (0.21bar)	19 psig (1.31bar)	3 psig (0.21bar)	18 psig (1.24bar)	5.5 psig (0.38bar)	17 psig (1.17bar)	8 psig (0.55bar)	16 psig (1.1bar)	8.5 psig (0.59bar)	15 psig (1.03bar)
	30 lbs	6 psig (0.41bar)	32 psig (2.21bar)	7 psig (0.48bar)	31 psig (2.14bar)	8 psig (0.55bar)	30 psig (2.07bar)	10.5 psig (0.72bar)	29 psig (2bar)	12.5 psig (0.86bar)	28 psig (1.93bar)
3150 FMT PB 3" IV	30 lbs	6 psig (0.41bar)	30 psig (2.07bar)	6.5 psig (0.45bar)	27.5 psig (1.9bar)	10.5 psig (0.72bar)	27 psig (1.86bar)	13.5 psig (0.93bar)	25 psig (1.72bar)	17 psig (1.17bar)	22 psig (1.52bar)
3150 FMT PB 3" IV- PC	30 lbs	Shut	27 psig (1.86bar)	Shut	28 psig (1.93bar)	Shut	30.5 psig (2.1bar)	Shut	33 psig (2.28bar)	Shut	36.5 psig (2.52bar)
4150 FMT PB	30 lbs	8.5 psig (0.59bar)	32 psig (2.21bar)	8.5 psig (0.59bar)	32 psig (2.21bar)	8 psig (0.55bar)	29.5 psig (2.03bar)	7.5 psig (0.52bar)	27 psig (1.86bar)	6 psig (0.41bar)	24.5 psig (1.69bar)
4150 FMT PB 4 IN IV PC	30 lbs	Shut	31 psig (2.14bar)	Shut	32.5 psig (2.24bar)	Shut	34.5 psig (2.38bar)	Shut	37 psig (2.55bar)	Shut	39.5 psig (2.72bar)
6150 FMT PB 6 IN IV	30 lbs	8 psig (0.55bar)	29 psig (2bar)	9.5 psig (0.66bar)	28 psig (1.93bar)	10.5 psig (0.72bar)	27 psig (1.86bar)	11 psig (0.76bar)	25 psig (1.72bar)	11.5 psig (0.79bar)	22 psig (1.52bar)
8150 FMT PB 8 IN IV	30 lbs	8 psig (0.55bar)	29 psig (2bar)	8.5 psig (0.59bar)	27.5 psig (1.9bar)	10 psig (0.69bar)	26.5 psig (1.83bar)	10.5 psig (0.72bar)	24 psig (1.65bar)	10.5 psig (0.72bar)	21.5 psig (1.48bar)
10150 FMT PB 8 IN IV	30 lbs	7.5 psig (0.52bar)	28.5 psig (1.97bar)	8.5 psig (0.59bar)	27.5 psig (1.9bar)	9.5 psig (0.66bar)	26 psig (1.79bar)	10 psig (0.69bar)	24 psig (1.65bar)	10.5 psig (0.72bar)	21.5 psig (1.48bar)

# HIGH PRESSURE CONTROL VALVES



CODE BUILDER  
MODEL CVN (NON FREEZE)

Series:

**CV = Control Valves**

Model:

**N = Non Freeze**

Line Size:

**1 = 1 NPS**

End Connection:

**S4 = 4000 psi NPT**

Body Type:

**A = Angle**

Shell Material:

**D = Ductile Iron**  
E = Ductile Iron w/Coating

Inner Valve Size:

	Linear	Quick Open
1/4"	04L	04Q
3/8"	06L	06Q
1/2"	08L	08Q

Actuator:

**2 = 6 - 30 psi Spring Fail Close**  
7 = - 65 Fail Close

Service Type:

**S = Standard**  
C = Corrosive

Trim Materials  
(Stem - Plug - Seat)

	Linear	Snap
<b>S</b>	<b>S3-CR-D2</b>	<b>S3-CB-CB</b>
<b>C</b>	S6-S6-S6	N/A

**CV N 1 S4 A D 04L 2 S**

Options: Additional cost and lead times will apply  
If multiple options required input in sequential order  
Leave blank if no options required

- 1 = NACE Certification (Corrosive Option Only)
- 2 = Hydrostatic Test Certification
- 3 = MTR (Shell Components)
- A = AFLAS Elastomers
- V = FKM Elastomers
- X = Export (Hydrostatic test, MTR & 3.1)

Not all selections available on all products listed.  
See product pages 01:30.1 - 01:30.2 for available options