

APPLICATION:

For control of discharge of liquid or gas from vessels, separators, treaters, knockouts and other similar liquid accumulators. For back pressure or pressure reducing applications with pressure pilots.

FEATURES:

- Soft seat
- Bubble tight shut-off at full range of pressure
- Piston balanced seat assembly
- Full line size opening
- 30 psig max. required actuating pressure
- Trim contoured for throttle or on/off service

CERTIFICATIONS:

- Canadian Registration Number (CRN):
0C15804.24567890NTY (Ductile)
0C15621.24567890NTY (Steel)

OPERATION:

The Diaphragm Assembly is the only moving unit in the valve. The SPRING loads the Diaphragm Assembly closing the valve if there is no Diaphragm Pressure (Yellow). The communicating hole in the lower portion of the STEM balances the forces Upstream Pressure (Red) applies to the PLUG preventing Upstream Pressure (Red) from forcing the valve open.

An increase in the Diaphragm Pressure (Yellow) overcomes the spring force, and moves the Diaphragm Assembly upward opening the valve.





A decrease in the Diaphragm Pressure (Yellow) allows the SPRING to move the Diaphragm Assembly downward closing the valve.

SUPPLY PRESSURE:

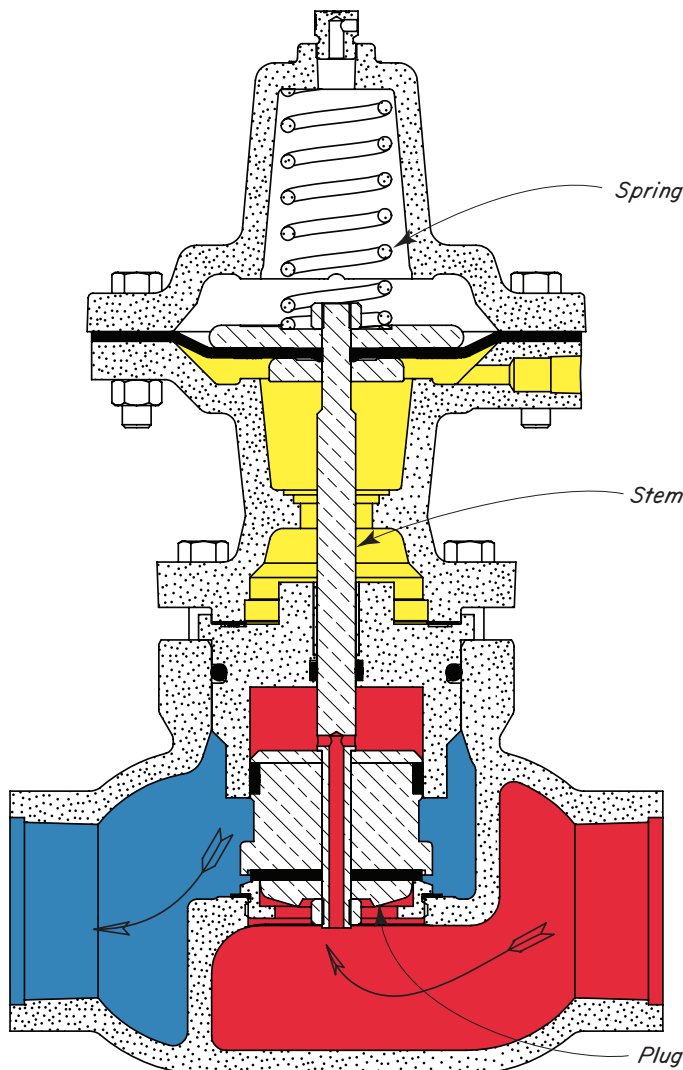
10 to 35 psig

OPERATION TEMPERATURE:

225°F. Max.

-  Stem and Seat Assembly
-  Diaphragm Pressure
-  Upstream Pressure
-  Downstream Pressure

Cf & Cv VALUES			
Line Size	Trim Size	Cf	Cv
2"	2.00"	0.75	47.0
3"	3.00"	0.75	89.0
4"	4.00"	0.75	160.0

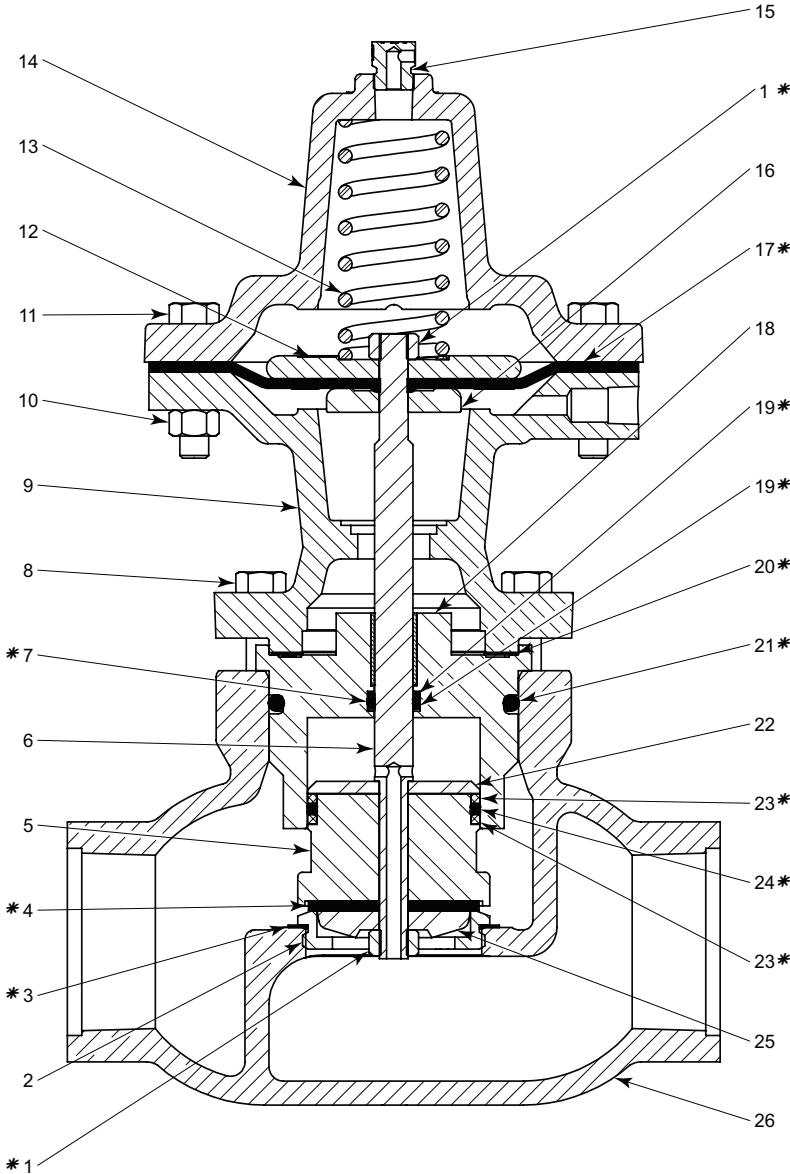


Kimray is an ISO 9001- certified manufacturer.

BALANCED MOTOR VALVES



PISTON BALANCED THROTTLING PRESSURE OPEN DUCTILE IRON



ITEM	QTY.	DESCRIPTION	PART NO.		
			2 INCH	3 INCH	4 INCH
1	2	LOCK NUT *	173	906	
2	1	REMOVABLE SEAT	5214	5215D	5216
3	1	GASKET *	276	277	196
4	1	SEAT *	5211HSN	5212HSN	5213HSN
5	1	PISTON	5208	5209	5210SS6
6	1	STEM	5193	5194	5195
7	1	QUAD RING *	154QHSN	155QHSN	155QHSN
8		BOLT	833 x 6		833 x 8
9	1	HOUSING	1689	1868D	5200
10		NUT	241 x 8	241 x 10	241 x 12
11		BOLT	236 x 8	191 x 10	192 x 12
12	1	UPPER DIAPH. PLATE	732	1476	734
13	1	SPRING	5188	621	5192
14	1	BONNET	1665	718	719
15	1	BREATHER PLUG	147		
16	1	LOWER DIAPH. PLATE	5289	5224	739
17	1	DIAPHRAGM *	7053	743	744
18	1	CYLINDER	5202	5203SS6	5204SS6
19	2	BACK UP *	149T	150T	
20	1	GASKET *	5199	5223	1901
21	2	O RING *	329HSN	330HSN	331
22	1	SEAL RETAINER	5205	5206SS6	5207
23	2	BACK UP *	1458	772	5201
24	1	QUAD RING *	774QHSN	329QHSN	1872Q
25	1	RATIO PLUG	177SS6	178	179
BODY					
26	1	SCREWED THRU	5217D	5219D	----
		FLANGED THRU	5218D	5220D	5222D
2		LIFTING RING (not shown)	----	7559	

THRU VALVES AVAILABLE:

CAT. NO.	SIZE TYPE	MOTOR VALVE	OPER. PRES.	MAX W.P.	KIT
EMS	2" SCRD.	250 SMT PBT PO-D	500	500	RUMD
EMT	2" FLGD.	225 FMT PBT PO-D	250	250	RUMD
EMU	3" SCRD.	325 SMT PBT PO-D	250	250	RUND
EMV	3" FLGD.	325 FMT PBT PO-D	250	250	RUND
EMW	4" FLGD.	425 FMT PBT PO-D	250	250	RUOD

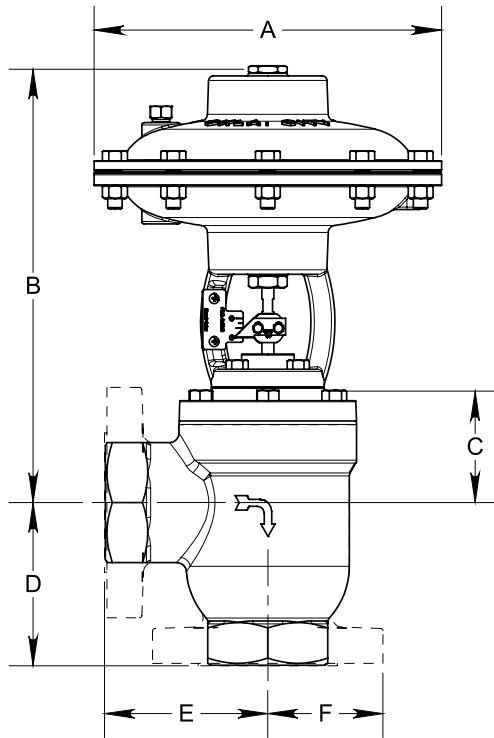
NOTES:

For dimensions, refer to Table of Contents.

*These parts are recommended spare parts and are stocked as repair kits.

The numbers of a series assigned to a part indicate different line sizes. For example: Ratio Plug 177-2", 178-3", 179-4"

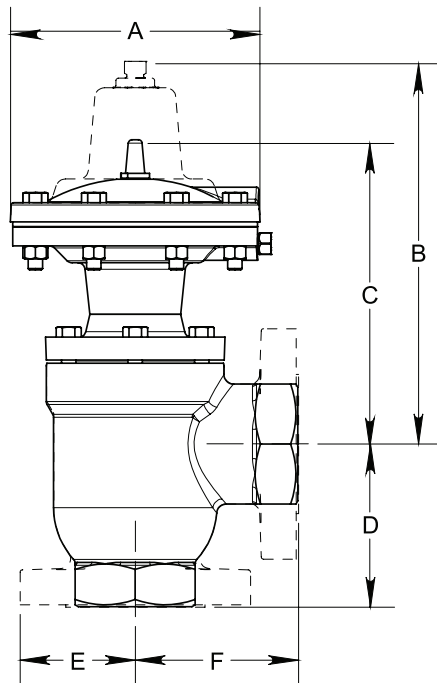
Kimray is an ISO 9001- certified manufacturer.



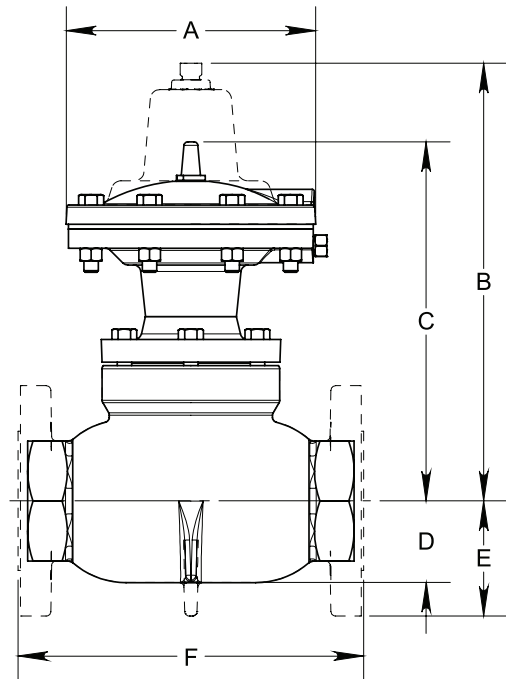
LPHV DIMENSIONS

VALVE	A	B	C	D	E	F
2" PH	9 1/16	11 9/32	2 29/32	4 1/4	4 1/4	3
3" PH	12 7/8	15 9/32	4 1/32	5 1/2	5 1/2	3 3/4

ANGLE DIMENSIONS



THRU DIMENSIONS



VALVE	A	B	C	D	E	F
2" S/FMA	6 1/2	9	8 1/2	4 1/4	3	4 1/4
3" S/FMA	8 1/2	11 3/4	10 1/4	5 1/2	3 3/4	5 1/2
4" FMA	8 1/2	12 1/2	11	6 1/2	4 1/2	6 1/2
6" FMA	10 3/4	—	19 3/4	10 1/4	5 1/2	7 11/16

VALVE	A	B	C	D	E	F
2" SMT	6 1/2	10 3/8	9 7/8	2 1/8	—	8 1/2
2" FMT	6 1/2	10 3/8	9 7/8	—	3	9
3" SMT	8 1/2	13 5/16	11 9/16	2 7/8	—	12
3" FMT	8 1/2	13 5/16	11 9/16	—	3 3/4	12 3/16
4" FMT	8 1/2	14 7/8	13 3/8	—	4 1/2	15 1/8
6" FMT	10 3/4	—	19 3/4	—	5 1/2	22